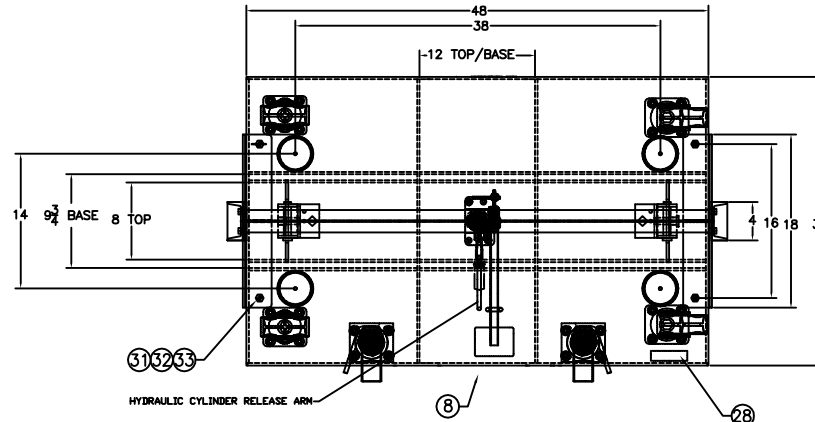
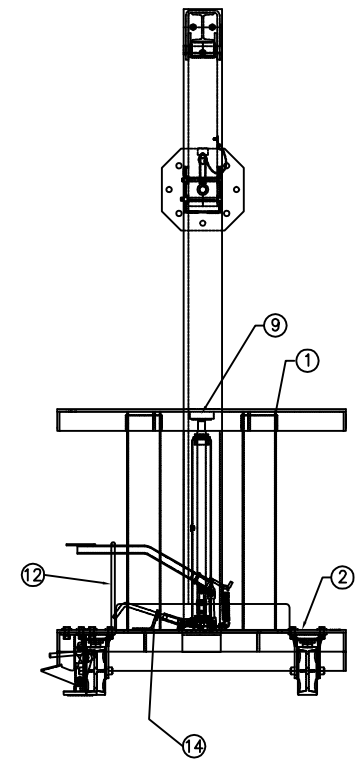
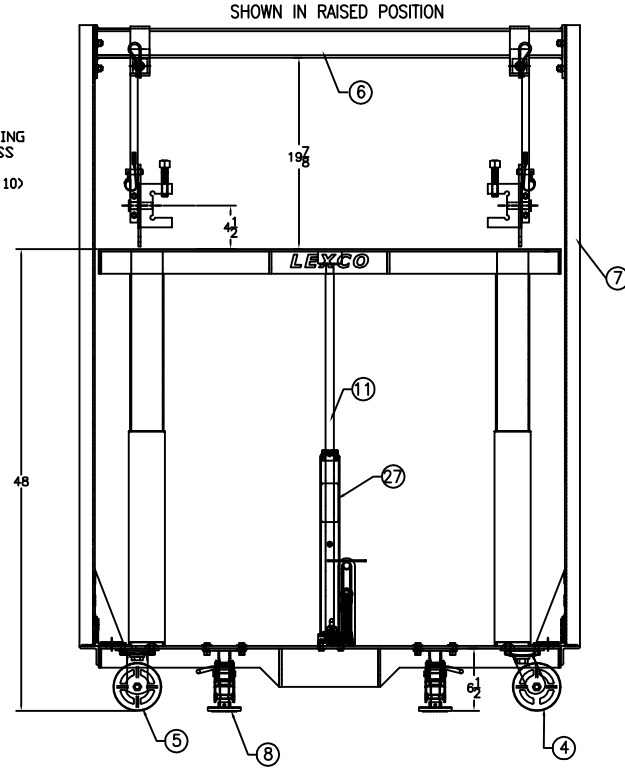
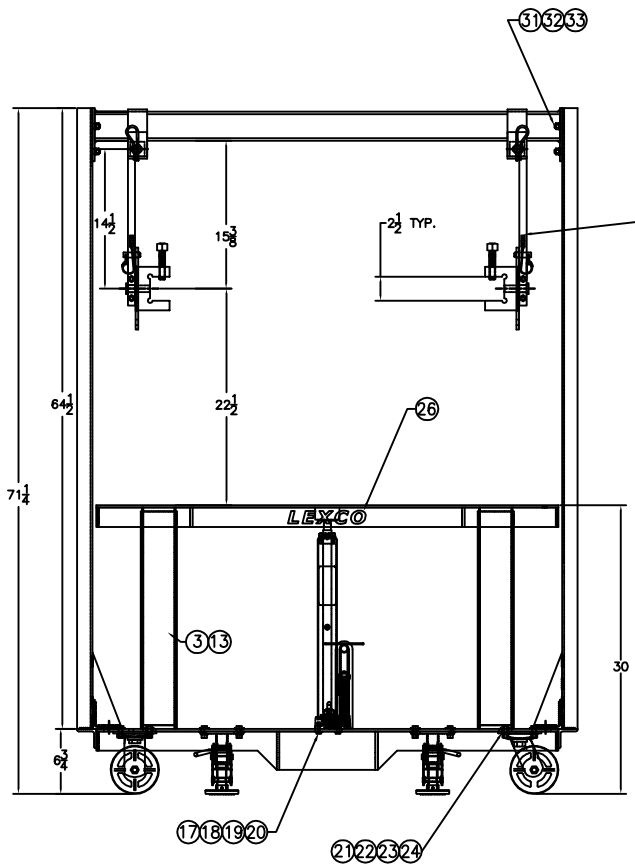


NOTES :

- 1) CAPACITY = 2000#
- 2) REFER TO 2132 FOR TREADLE GUIDE INSTALLATION
REFER TO 2133 FOR HYDRAULIC JACK RELEASE HANDLE INSTALLATION
INSTRUCTIONS.
- 4) CENTER RAM BLOCK ABOVE HYDRAULIC RAM AND WELD TO TABLE TOP.
- 5) HYDRAULIC CYLINDER STROKE = 18"
- 5) ENGAGE FLOOR LOCK BEFORE ATTEMPTING TO LIFT LOAD
- 6) ALL LOADS TO BE CENTERED ABOUT TABLE TOP BEFORE LIFTING
- 7) UPPER DIE HALF (MOLD) MUST BE SECURED WITH DIE CLAMPS BEFORE
ATTEMPTING TO LIFT/SEPARATE LOAD.



BILL OF MATERIAL			
ITEM	PART NO.	DESCRIPTION	QTY.
1	496042-03	TOP WELDMENT, 30" X 48"	1
2	492150-07	BASE WELDMENT, 30" X 48"	1
3	496547-04	GUIDE TUBE-3-1/2" X 22-5/8" LG.	4
4	499000	CASTER, STEEL SWIVEL, 5 X 2, 6-1/2 OAH	2
5	499001	CASTER, STEEL RIGID, 5 X 2, 6-1/2 OAH	2
6	496042-06	UPPER CROSS MEMBER WELDMENT	1
7	496106-04	COLUMN WELDMENT	2
8	492039	FLOOR LOCK-FLM 663, MODIFIED	2
9	492066	RAM BLOCK	1
10	492031-01	RIGID DIE HANGER WELDMENT	2
11	498020	HYDRAULIC JACK, 18" LIFT, 2K CAP.	1
12	491932	TREADLE GUIDE	1
13	492087-01	GUIDE TUBE-3-3/4" X 22-5/16" LG.	4
14	499402	RELEASE HANDLE BRACKET	1
15			
16			
17	100159	SCR: HEX HD. CAP (PLTD) 1/4-20 X 1"	2
18	100169	WASHER: LOCK, (PLTD) 1/4"	2
19	100448	NUT: HEX (PLTD) 1/4-20	2
20	108426	WASHER: FLAT (PLTD) 1/4" SAE	2
21	100642	NUT: HEX (PLTD) 3/8-16	24
22	100217	WASHER: LOCK (PLTD) 3/8"	24
23	100216	SCR: HEX HD. CAP (PLTD) 3/8-19 X 1"	24
24	109634	WASHER: FLAT (PLTD) 3/8" SAE	24
25			
26	498603	LABEL: LEXCO LOGO, SMALL	2
27	498615	LABEL: HYD. JACK, SHL-1F-18"	1
28	498607	LABEL: INSPECTION	1
29	051458	LABEL: BLANK	1
30	499900	PAINT: LEXCO GREEN	25 gal
31	491428-21	BOLT, HEX, 1/2-13 X 1-1/2" LG, PLTD.	10
32	100366	NUT, 1/2-13, PLATED	10
33	108228	LOCKWASHER, 1/2" PLATED	10



THIS DRAWING IN ALL PARTICULARS IS WESCO INDUSTRIAL PRODUCTS INC. PROPERTY. ALL RIGHTS OF DESIGN, INVENTION OR USE OF ARE RESERVED.

PRINT ISSUED
DEC. 04, 2008
WESCO MANUFACTURING
ENGINEERING DEPARTMENT

REV.	EDN & DATE	REVISIONS	APP.
B	9678 04/16/10 CHRY H. 7-1/4" MS 7" ADDED 20-1/4" DIM.	JL	JL
A	9559 12/04/08 PRODUCTION RELEASE	JL	JL

WESCO INDUSTRIAL PRODUCTS INC.
LANSDALE PENNA. 19446

PART NAME: DH-3438-24-A, HYDRAULIC LIFT TABLE
SHOWN WITH RIGID DIE HANGER w/INDEXING PLATE

DRAWN: J.L. 12-08-08
CHECKED:
APP. ENGR.

TOLERANCE UNLESS OTHERWISE SPECIFIED

FRACTION	3 PLACE DECIMAL	2 PLACE DECIMAL
± 1/64	± .005	± .01

ANGULAR ± 1-1/2" SHEET 1 OF 1

SCALE: 1" = 1"

499244 REV B

BREAK ALL SHARP EDGES AND REMOVE ALL BURRS