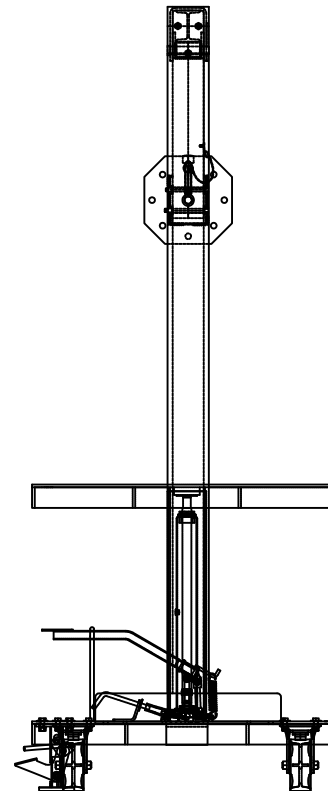
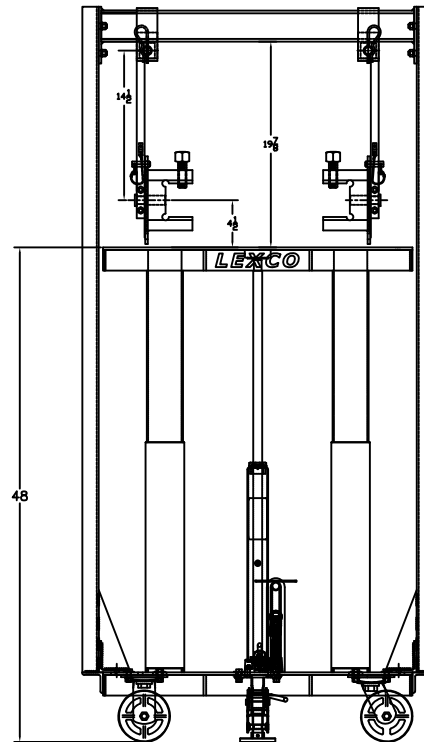
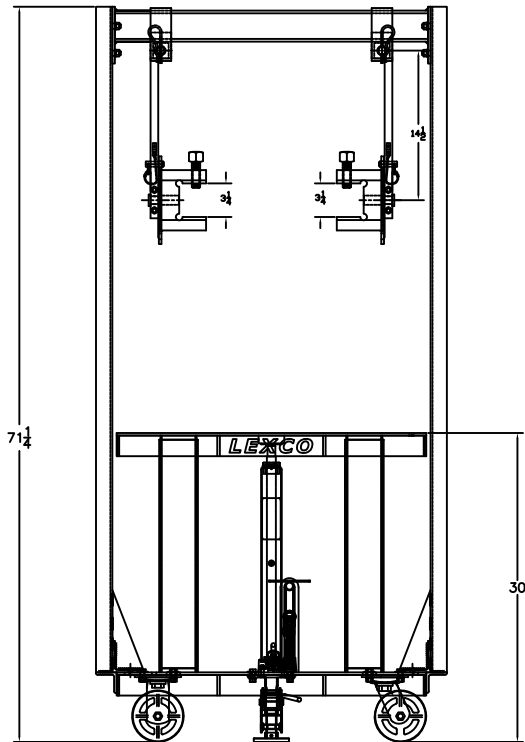


2,000 Capacity Die Handler

- Heavy-duty steel adjustable clamps for gripping the upper die set for separation.
- Floor lock.
- Precision telescoping guide tubes.
- Rigid die hangers with 360 degree indexing plate.
- Die cart allows you to transport, separate, and present your dies for service and maintenance.

Specs

- Capacity: 2,000 lbs
- Table top: 30" x 30"
- Raised height: 48"
- Lowered height: 30"
- Minimum gantry clearance: 19.885"
- Caster size: 5"
- Casters: 2 rigid/ 2 swivel
- Die size: 30" x 24"
- Weight: 388 lbs



THIS DRAWING IN ALL PARTICULARS IS WESCO INDUSTRIAL PRODUCTS INC. PROPERTY. ALL RIGHTS OF DESIGN, INVENTION OR USE OF ARE RESERVED.

PRINT ISSUED
 APR. 28, 2016
 WESCO MANUFACTURING
 ENGINEERING DEPARTMENT

| | | | | |
|------------|---|--------------------|----|-----|
| REV. | A | 6620 12/04/08 | JL | APP |
| REVISIONS | | PRODUCTION RELEASE | | |
| EDN & DATE | | | | |

| | | | |
|--|-----------------|--------------------------|----------------|
| WESCO INDUSTRIAL PRODUCTS INC. | | NORTH WALES PENNA. 19454 | |
| PART NAME | | DRAWN: J.L. 12-05-08 | |
| DH-3339-22-A, HYDRAULIC LIFT TABLE | | CHECKED: | |
| SHOWN WITH RIGID DIE HANGER w/INDEXING PLATE | | APP. ENGR. | |
| TOLERANCE UNLESS OTHERWISE SPECIFIED | | | |
| FRACTION | 3 PLACE DECIMAL | 2 PLACE DECIMAL | SCALE: 1" = 1" |
| ± 1/64 | ± .005 | ± .01 | |
| ANGULAR ± 1-1/2° | SHEET 1 OF 1 | | 499243 |
| BREAK ALL SHARP EDGES AND REMOVE ALL BURRS | | | REV B |