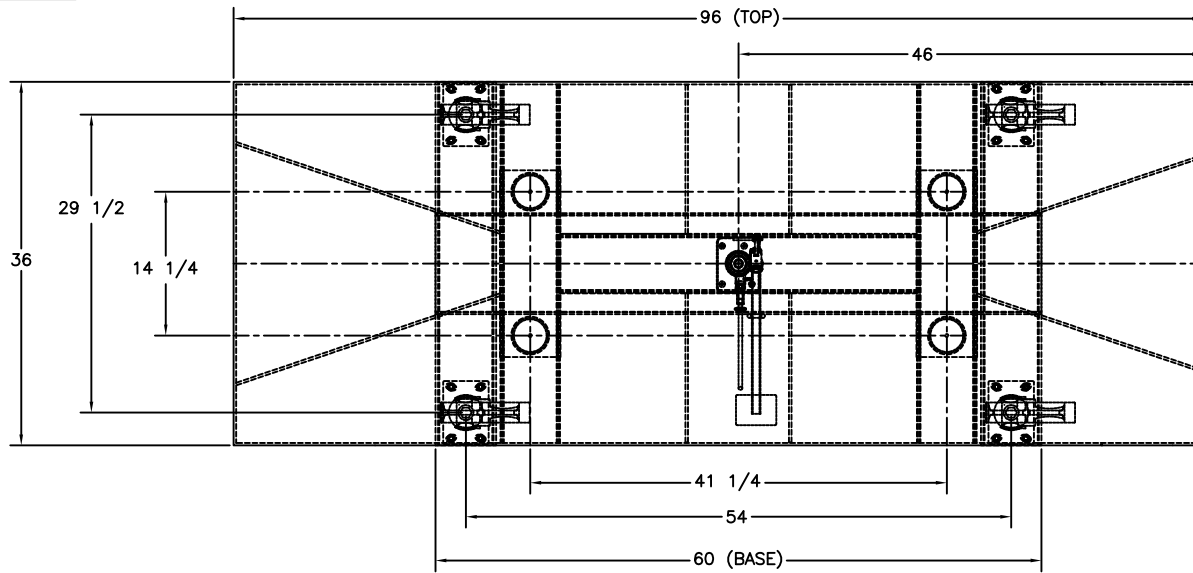


492252

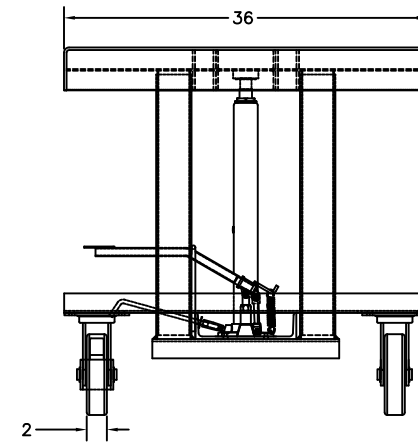
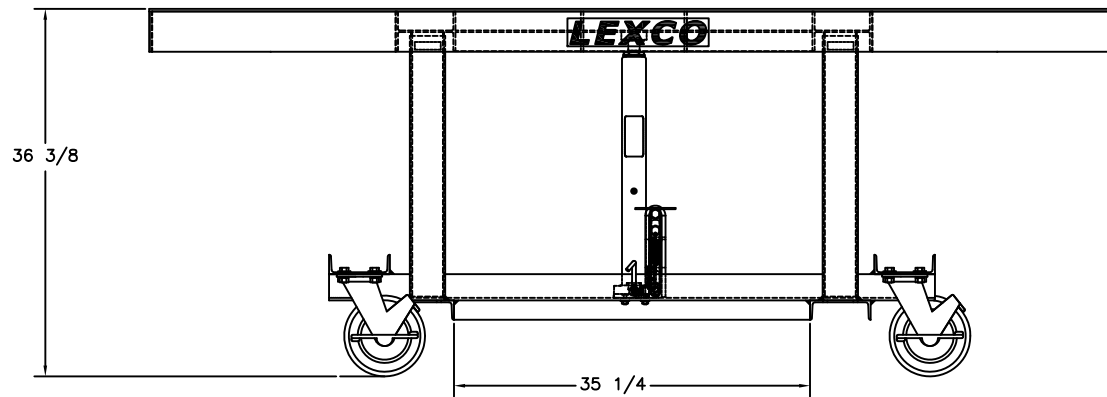


**Foot and Powered Portable Hydraulic Lift Table**

- AC and DC power option available.
- Load stabilizer assembly on 5000 lbs models.
- 4 swivel 8" steel casters.
- Precision telescoping guide tubes.
- 2 floor locks.
- Table top 3000 lbs models: 0.25" thick steel.
- Table top 5000 lbs models: 0.25" thick steel.

**Specs**

Capacity: 3000 lbs  
 Table Size: 36" x 96"  
 Raised Height: 56.375"  
 Lowered Height: 36.375"  
 Caster: 8"  
 Lift: 20"  
 Weight: 954 lbs



THIS DRAWING IN ALL PARTICULARS IS WESCO INDUSTRIAL PRODUCTS, LLC PROPERTY. ALL RIGHTS OF DESIGN, INVENTION OR USE OF ARE RESERVED.

PRINT ISSUED

JUNE 11, 2020

WESCO MANUFACTURING  
ENGINEERING DEPARTMENT

6538	07/30/08	JL	APP	WESCO INDUSTRIAL PRODUCTS, LLC		DRAWN: J.L. 07-30-08
				NORTH WALES PENNA. 19454		
PRODUCTION RELEASE		PART NAME		STN-3608-3F-A		CHECKED:
ECON & DATE		REVISIONS		APP. ENGR.		SCALE: 1" = 1"
REV. A		TOLERANCE UNLESS OTHERWISE SPECIFIED		SHEET 1 OF 1		492252
		FRACTION 3 PLACE DECIMAL 2 PLACE DECIMAL		BREAK ALL SHARP EDGES AND REMOVE ALL BURRS		REV A
		± 1/64 ± .005 ± .01				
		ANGULAR ± 1-1/2'				