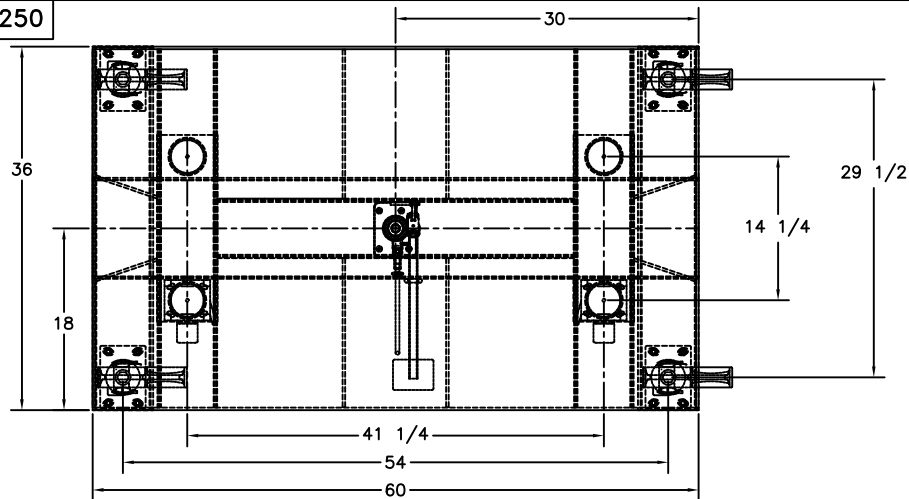


492250

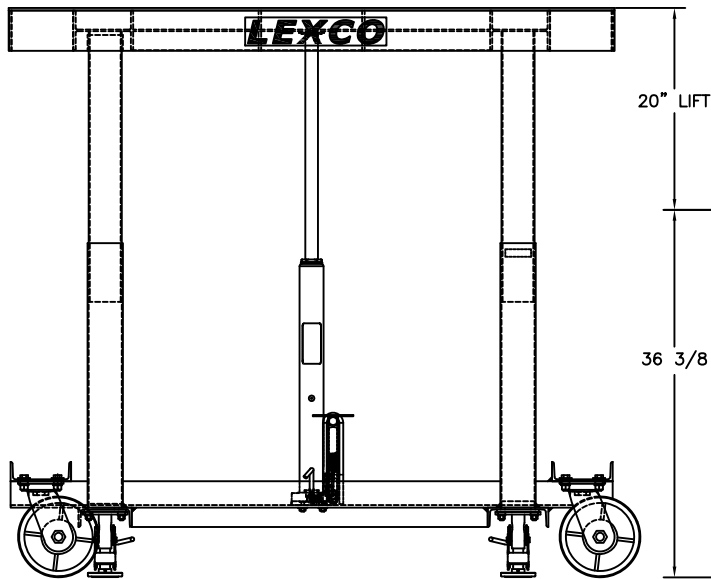


**Foot and Powered Portable Hydraulic Lift Table**

- AC and DC power option available.
- Load stabilizer assembly on 5000 lbs models.
- 4 swivel 8" steel casters.
- Precision telescoping guide tubes.
- 2 floor locks.
- Table top 3000 lbs models: 0.25" thick steel.
- Table top 5000 lbs models: 0.25" thick steel.

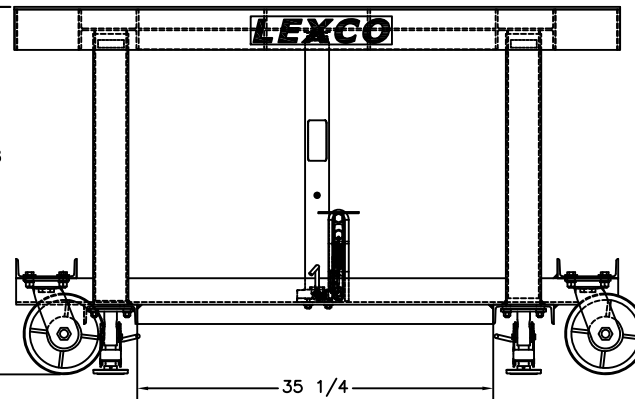
**Specs**

Capacity: 3000 lbs  
 Table Size: 36" x 60"  
 Raised Height: 56.375"  
 Lowered Height: 36.375"  
 Caster: 8"  
 Lift: 20"  
 Weight: 811 lbs

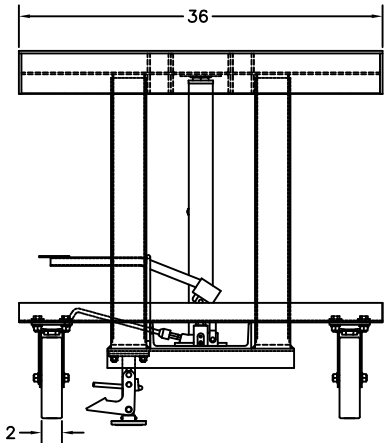


20" LIFT

36 3/8



35 1/4



2

THIS DRAWING IN ALL PARTICULARS IS WESCO INDUSTRIAL PRODUCTS, LLC PROPERTY. ALL RIGHTS OF DESIGN, INVENTION OR USE OF ARE RESERVED.

PRINT ISSUED  
 JUNE 11, 2020  
 WESCO MANUFACTURING  
 ENGINEERING DEPARTMENT

6538	07/30/08	JL	APP	WESCO INDUSTRIAL PRODUCTS, LLC NORTH WALES PENNA. 19454
		PRODUCTION RELEASE	REV	
REVISIONS				DRAWN: J.L. 07-30-08
TOLERANCE UNLESS OTHERWISE SPECIFIED				CHECKED:
FRACTION 3 PLACE DECIMAL 2 PLACE DECIMAL				APP. ENGR.
± 1/64 ± .005 ± .01				SCALE: 1" = 1"
ANGULAR ± 1-1/2°				SHEET 1 OF 1
BREAK ALL SHARP EDGES AND REMOVE ALL BURRS				492250 REV A