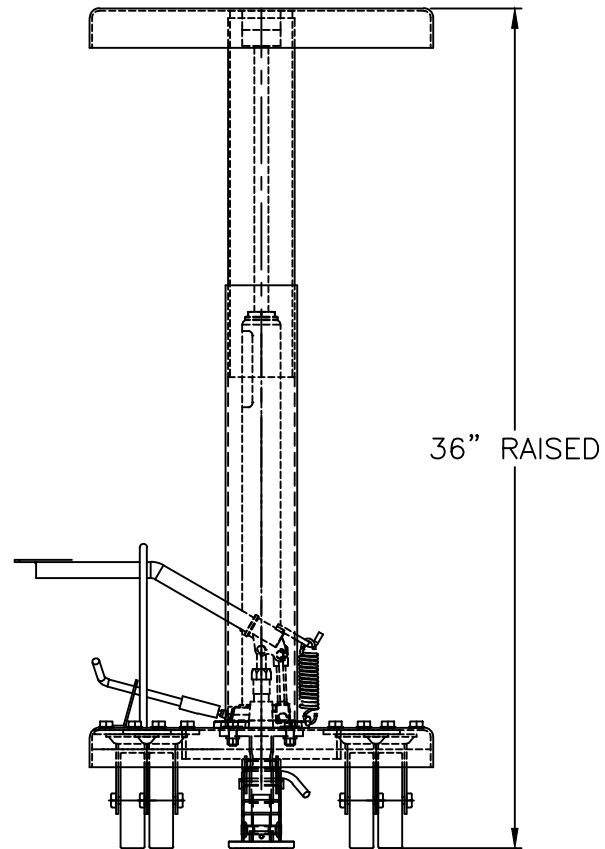
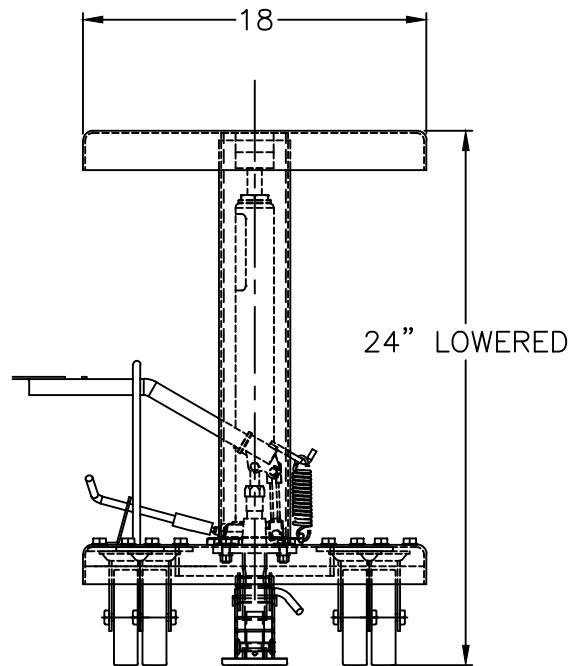
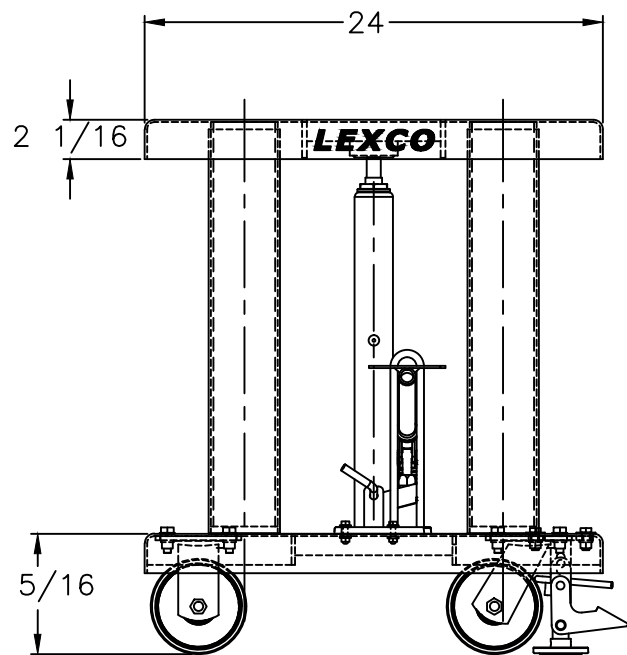
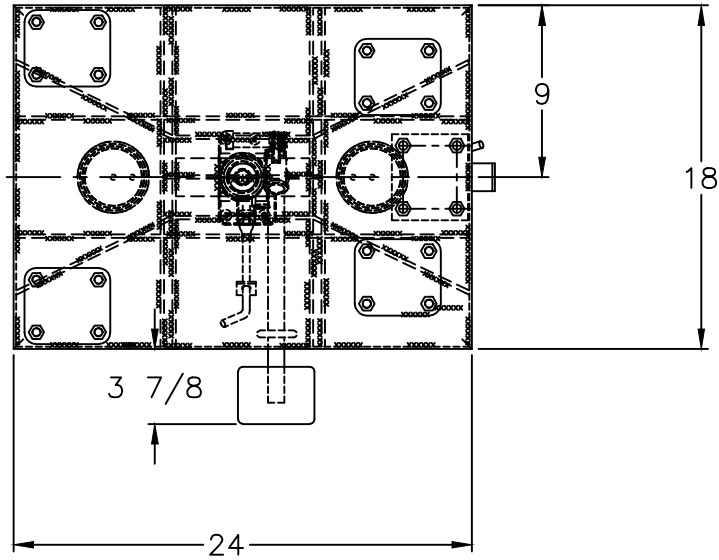


492232

Foot Operated Hydraulic Lift Table

- Top and base 12 gauge steel.
- 2 rigid and 2 swivel 5" diameter rubber casters.
- Floor lock.
- Optional phenolic resin, polyurethane and steel caster wheels.
- Precision telescoping guide tubes.



Specs

- Capacity: 400 lbs.
- Table size: 18" x 24"
- Lowered height: 24"
- Raised height: 36"
- Caster size: 5"
- Lift: 12"
- Weight: 108 lbs
- Base: Flat

THIS DRAWING IN ALL PARTICULARS IS WESCO INDUSTRIAL PRODUCTS INC. PROPERTY. ALL RIGHTS OF DESIGN, INVENTION OR USE OF ARE RESERVED.

REV. ECN & DATE APP	<b>WESCO INDUSTRIAL PRODUCTS INC.</b>		LANSDALE PENNA. 19446	
	PART NAME		DRAWN:	
	HT-412-FR		CHECKED:	
	TOLERANCE UNLESS OTHERWISE SPECIFIED		APP. ENGR.	
	FRACTION 3 PLACE DECIMAL 2 PLACE DECIMAL		SCALE:	
± 1/64 ± .005 ± .01		B- 492232		
ANGULAR ± 1-1/2' SHEET 1 OF 1		REV		
BREAK ALL SHARP EDGES AND REMOVE ALL BURRS				