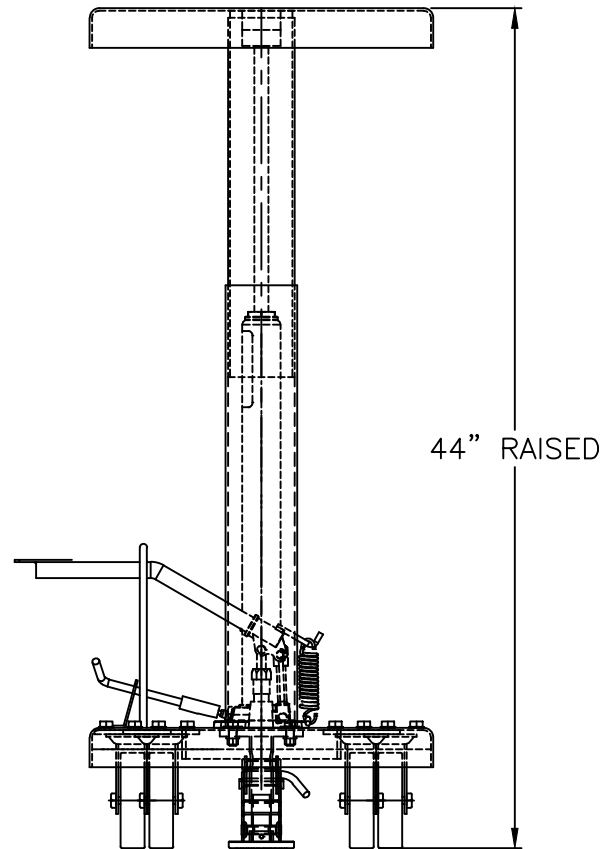
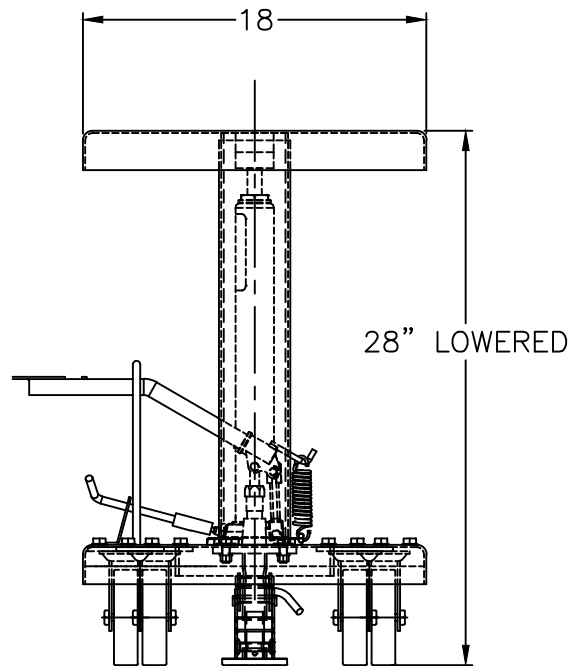
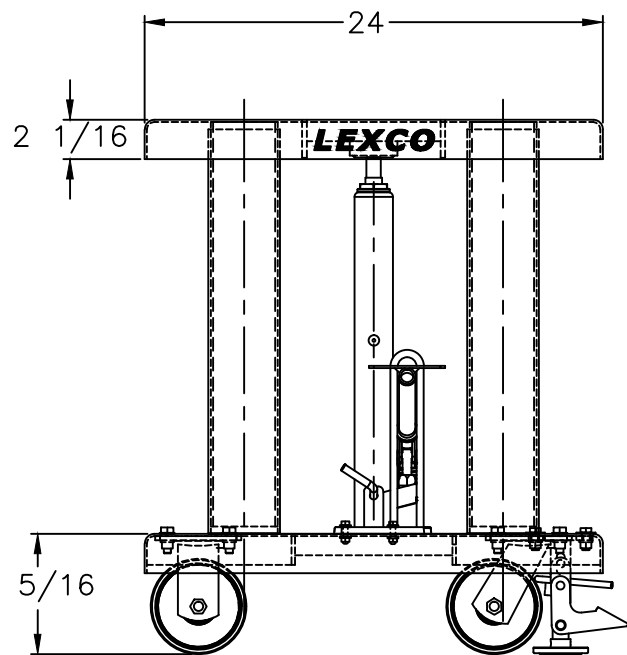
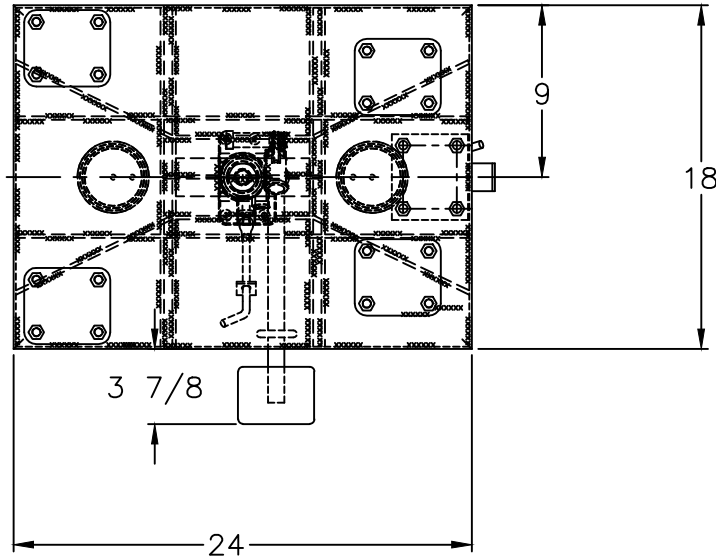


492230

Foot Operated Hydraulic Lift Table

- Top and base 12 gauge steel.
- 2 rigid and 2 swivel 5" diameter rubber casters.
- Floor lock.
- Optional phenolic resin, polyurethane and steel caster wheels.
- Precision telescoping guide tubes.



Specs

- Capacity: 400 lbs.
- Table size: 18" x 24"
- Lowered height: 28"
- Raised height: 44"
- Caster size: 5"
- Lift: 16"
- Weight: 115 lbs
- Base: Flat

THIS DRAWING IN ALL PARTICULARS IS WESCO INDUSTRIAL PRODUCTS INC. PROPERTY. ALL RIGHTS OF DESIGN, INVENTION OR USE OF ARE RESERVED.

REV.	ECN & DATE	APP	<b>WESCO INDUSTRIAL PRODUCTS INC.</b>		REV	
			LANSDALE PENNA. 19446			
			PART NAME HT-416-FR			DRAWN:
			TOLERANCE UNLESS OTHERWISE SPECIFIED			CHECKED:
			FRACTION 3 PLACE DECIMAL 2 PLACE DECIMAL			APP. ENGR.
			± 1/64 ± .005 ± .01	SCALE:		
			ANGULAR ± 1-1/2'	SHEET 1 OF 1		
BREAK ALL SHARP EDGES AND REMOVE ALL BURRS						
				<b>B- 492230</b>		