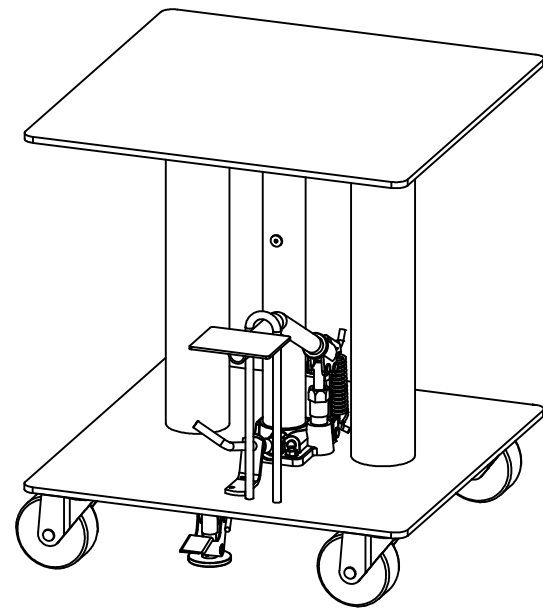
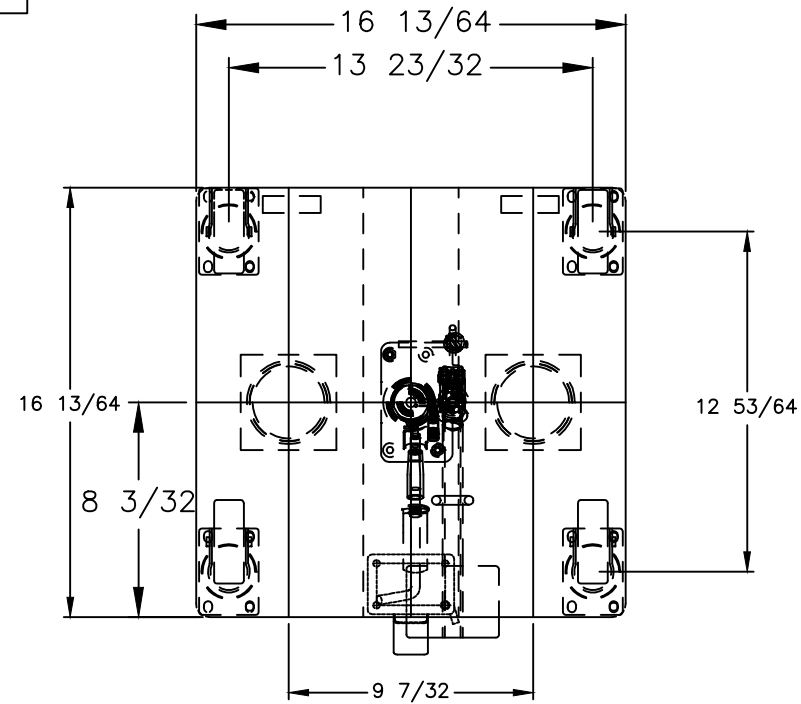


492224

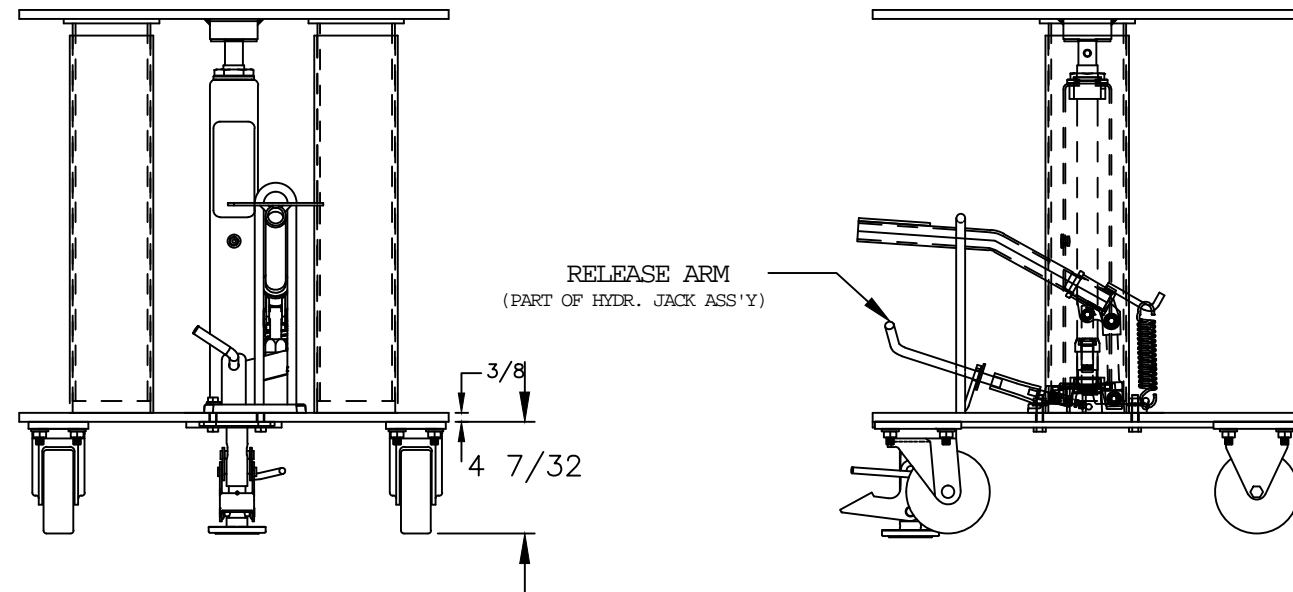


Foot Operated Hydraulic Lift Table

- Top and base 3/8" steel.
- 2 rigid and 2 swivel 3.5" diameter rubber casters.
- Optional phenolic resin and polyurethane caster wheels.
- Floor lock.
- Two post.

Specs

- Capacity: 300 lbs
- Table size: 18" x 18"
- Lowered height: 30"
- Raised height: 48"
- Caster size: 3.5"
- Lift: 18"
- Weight: 135 lbs



THIS DRAWING IN ALL PARTICULARS IS WESCO INDUSTRIAL PRODUCTS INC. PROPERTY. ALL RIGHTS OF DESIGN, INVENTION OR USE OF ARE RESERVED.

REV.	ECN & DATE	APP	<b>WESCO INDUSTRIAL PRODUCTS INC.</b>		REV	
			LANSDALE PENNA. 19446			
			PART NAME			DRAWN:
			HT-300-FR			CHECKED:
			TOLERANCE UNLESS OTHERWISE SPECIFIED			APP. ENGR.
FRACTION 3 PLACE DECIMAL 2 PLACE DECIMAL		SCALE:				
± 1/64 ± .005 ± .01		<b>B- 492224</b>				
ANGULAR ± 1-1/2' SHEET 1 OF 1						
BREAK ALL SHARP EDGES AND REMOVE ALL BURRS						