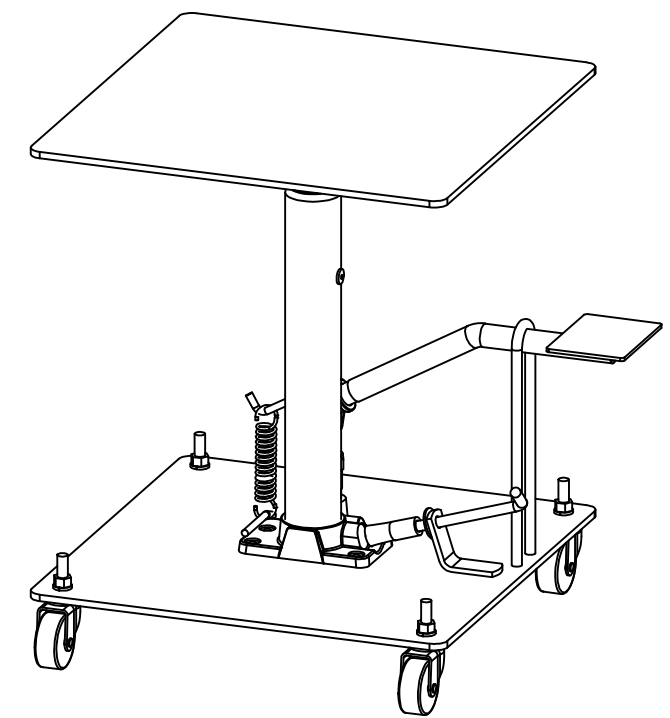
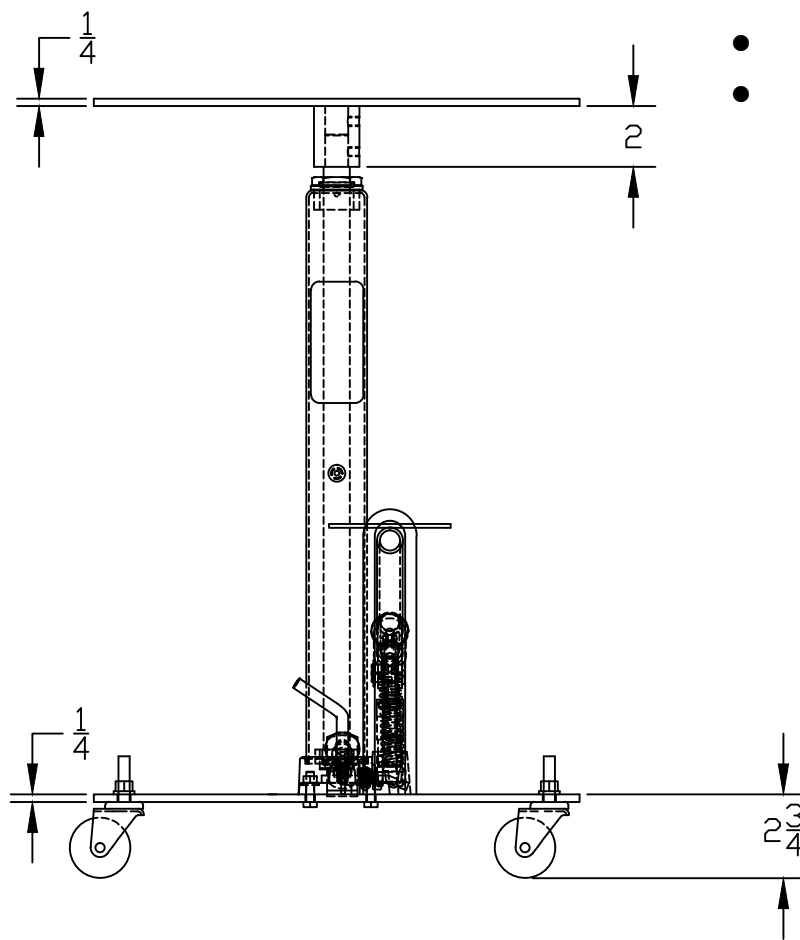
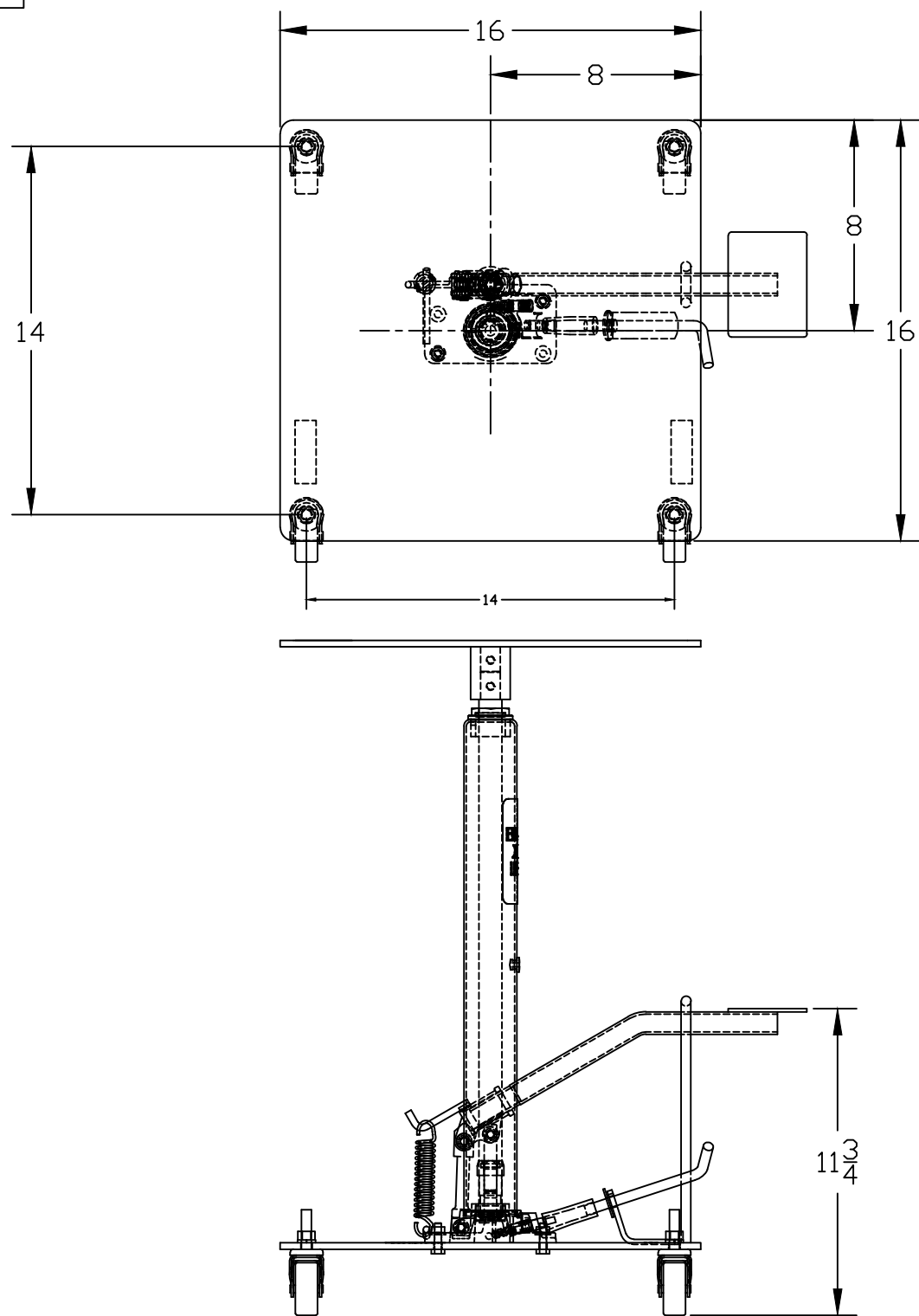


492222



Foot Operated Hydraulic Lift Table

- Top and base 3/16" steel.
- Top rotates 360 degrees.
- 4-swivel 2" diameter rubber casters.

Specs

- Capacity: 200 lbs
- Table size: 16" x 16"
- Lowered height: 22"
- Raised height: 36"
- Caster size: 2"
- Lift: 14"
- Weight: 51 lbs

THIS DRAWING IN ALL PARTICULARS IS WESCO INDUSTRIAL PRODUCTS INC. PROPERTY. ALL RIGHTS OF DESIGN, INVENTION OR USE OF ARE RESERVED.

PRINT ISSUED

OCT. 31, 2008

WESCO MANUFACTURING  
ENGINEERING DEPARTMENT

|  |           |   |  |                                |
|--|-----------|---|--|--------------------------------|
| J.L.<br>10/31/08<br>PRODUCTION RELEASE<br>6603<br>REV. A | APP       | WESCO INDUSTRIAL PRODUCTS INC.<br>LANSDALE PENNA. 19446   |  | DRAWN: J.L. 10-31-08           |
|  | REVISIONS | PART NAME<br>HT-201-FR-A<br>200# CAPACITY LIFT TABLE  |  | CHECKED:                       |
|  |           | TOLERANCE UNLESS OTHERWISE SPECIFIED<br>FRACTION 3 PLACE DECIMAL 2 PLACE DECIMAL<br>± 1/64 ± .005 ± .01 |  | APP. ENGR.                     |
|  |           | ANGULAR ± 1-1/2° SHEET 1 OF 1<br>BREAK ALL SHARP EDGES AND REMOVE ALL BURRS                             |  | SCALE: 1" = 1"<br>492222 REV A |