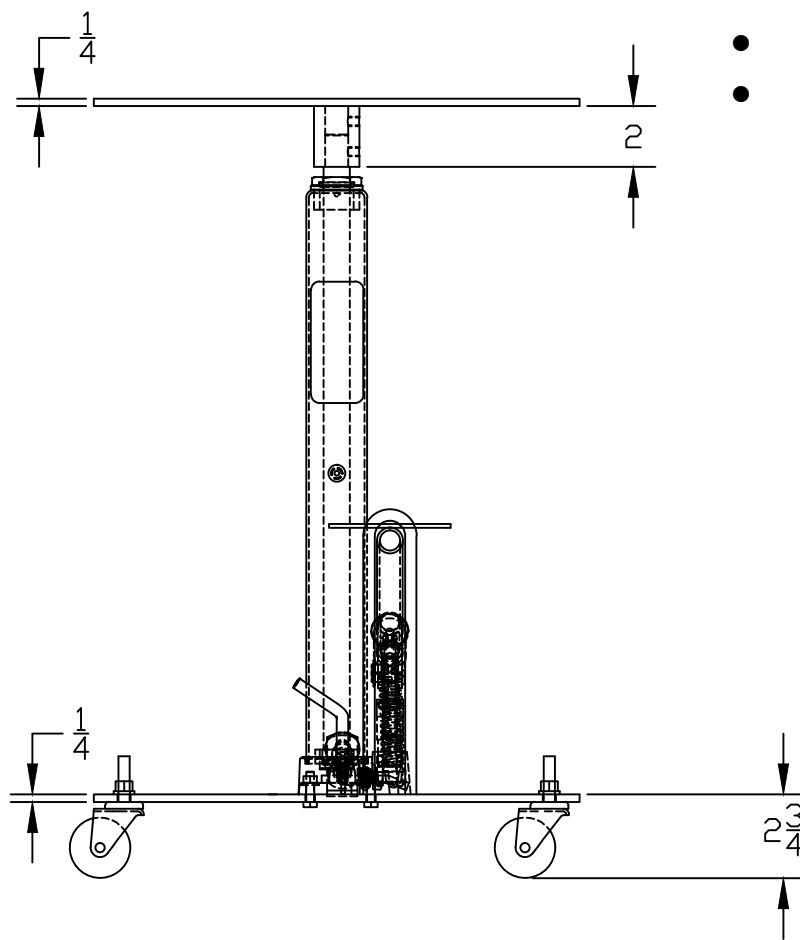
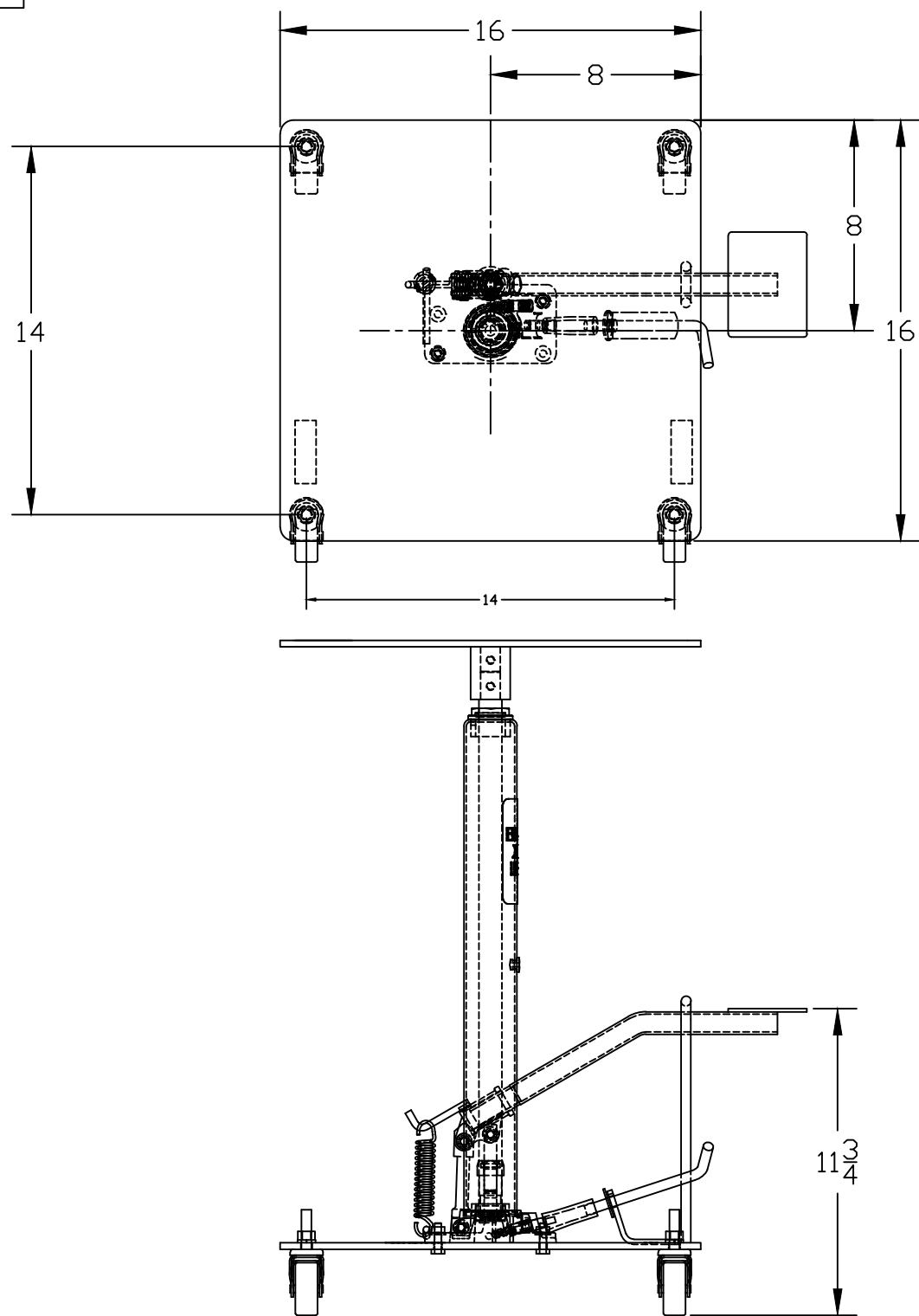
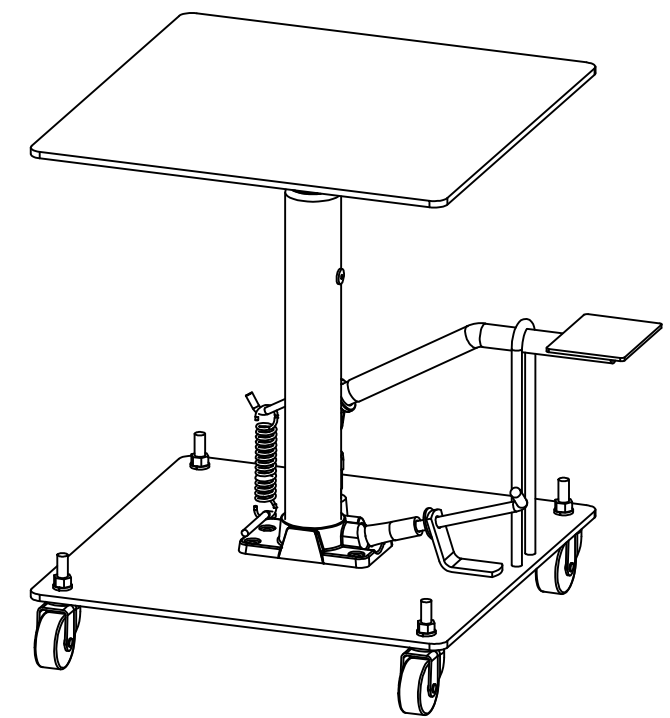


492221



- Foot Operated Hydraulic Lift Table
- Top and base 3/16" steel.
 - Top rotates 360 degrees.
 - 4-swivel 2" diameter rubber casters.

- Specs
- Capacity: 200 lbs
 - Table size: 16" x 16"
 - Lowered height: 24"
 - Raised height: 40"
 - Caster size: 2"
 - Lift: 16"
 - Weight: 52 lbs



THIS DRAWING IN ALL PARTICULARS IS WESCO INDUSTRIAL PRODUCTS INC. PROPERTY. ALL RIGHTS OF DESIGN, INVENTION OR USE OF ARE RESERVED.

PRINT ISSUED
OCT. 31, 2008
WESCO MANUFACTURING
ENGINEERING DEPARTMENT

6603 10/31/08 J.L. APP PRODUCTION RELEASE EGN & DATE REVISIONS	WESCO INDUSTRIAL PRODUCTS INC. LANSDALE PENNA. 19446		DRAWN: J.L. 10-31-08
	PART NAME HT-203-FR-A 200# CAPACITY LIFT TABLE		CHECKED:
	TOLERANCE UNLESS OTHERWISE SPECIFIED FRACTION 3 PLACE DECIMAL 2 PLACE DECIMAL ± 1/64 ± .005 ± .01		APP. ENGR.
	ANGULAR ± 1-1/2° SHEET 1 OF 1 BREAK ALL SHARP EDGES AND REMOVE ALL BURRS		SCALE: 1" = 1"
REV. A	SHEET 1 OF 1	492221	REV. A