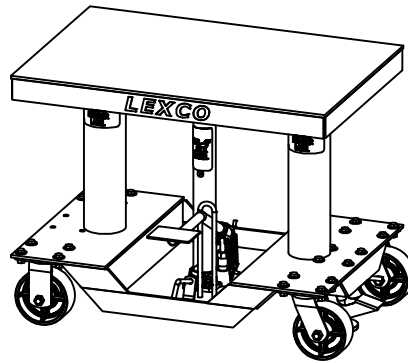
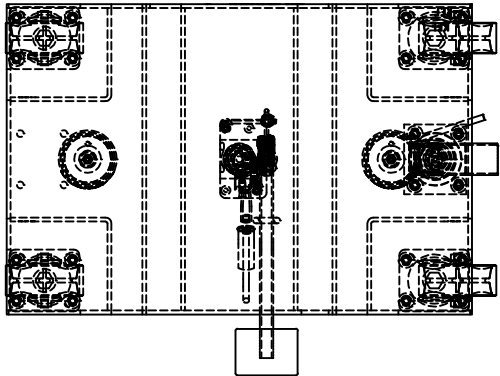
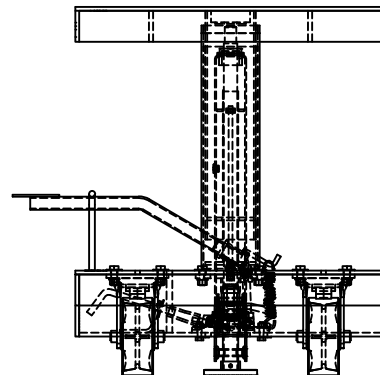
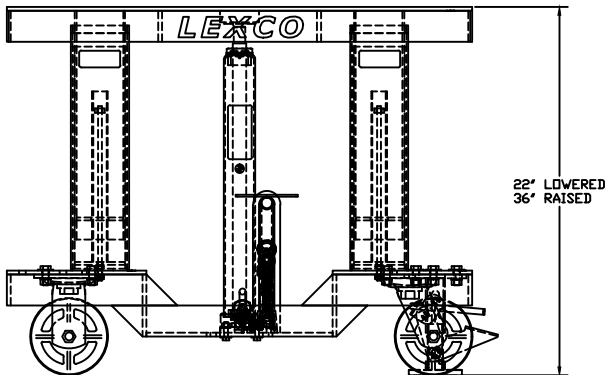


492208



Foot and Electric Hydraulic Lift Table

- AC and DC power option available.
- 0.25" reinforced steel top and base.
- 2 rigid and 2 swivel 5" diameter steel wheels and 1 floor lock on 20" x 30" and 30" x 30" models.
- 4 swivel 5" diameter steel wheels and 2 floor locks on 30" x 40" models.
- Precision telescoping guide tubes.



Specs

- Capacity: 2000 lbs
- Table size: 20" x 30"
- Lowered height: 22"
- Raised height: 36"
- Caster: 5"
- Lift: 14"
- Weight(foot opp.): 213 lbs
- Weight(electric opp.): 290 lbs

THIS DRAWING IN ALL PARTICULARS IS WESCO INDUSTRIAL PRODUCTS INC. PROPERTY. ALL RIGHTS OF DESIGN, INVENTION OR USE OF ARE RESERVED.

PRINT ISSUED

NOV. 21, 2008

WESCO MANUFACTURING  
ENGINEERING DEPARTMENT

6614 11/21/08 PRODUCTION RELEASE	JL	APP	WESCO INDUSTRIAL PRODUCTS INC. LANSDALE PENNA. 19446	
	REV. A	REV. A	PART NAME: HT-2324-2F-A HT SERIES, LIFT TABLE	
TOLERANCE UNLESS OTHERWISE SPECIFIED			DRAWN: J.L. 11-21-08	
FRACTION 3 PLACE DECIMAL 2 PLACE DECIMAL			CHECKED:	
± 1/64 ± .005 ± .01			APP. ENGR.	
ANGULAR ± 1-1/2°			SCALE: 1" = 1"	
SHEET 1 OF 1			492208	
BREAK ALL SHARP EDGES AND REMOVE ALL BURRS			REV. A	