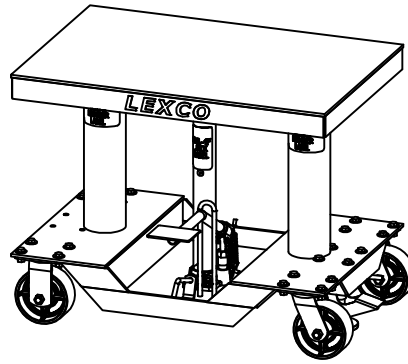
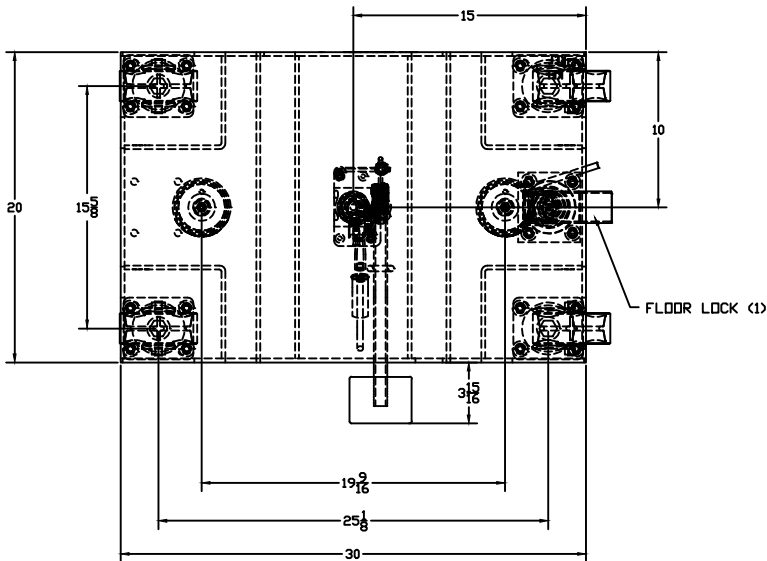
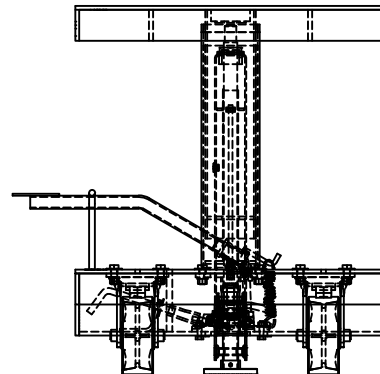
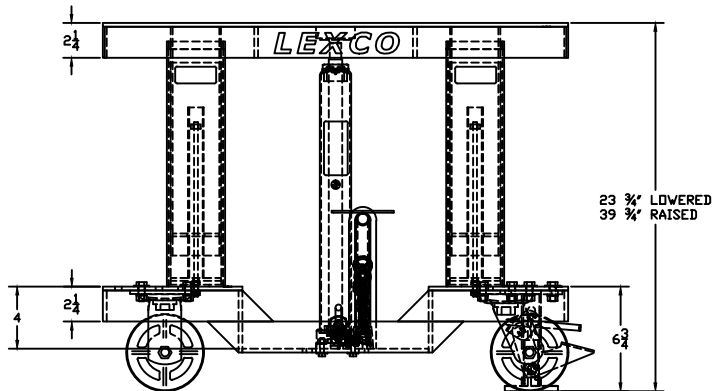


492207



Foot and Electric Hydraulic Lift Table

- AC and DC power option available.
- 0.25" reinforced steel top and base.
- 2 rigid and 2 swivel 5" diameter steel wheels and 1 floor lock on 20" x 30" and 30" x 30" models.
- 4 swivel 5" diameter steel wheels and 2 floor locks on 30" x 40" models.
- Precision telescoping guide tubes.



Specs

- Capacity: 2000 lbs
- Table size: 20" x 30"
- Lowered height: 24"
- Raised height: 40"
- Caster: 5"
- Lift: 16"
- Weight(foot opp.): 220 lbs
- Weight(electric opp.): 297 lbs

THIS DRAWING IN ALL PARTICULARS IS WESCO INDUSTRIAL PRODUCTS INC. PROPERTY. ALL RIGHTS OF DESIGN, INVENTION OR USE OF ARE RESERVED.

PRINT ISSUED

NOV. 21, 2008

WESCO MANUFACTURING
ENGINEERING DEPARTMENT

6614 11/21/08 JL PRODUCTION RELEASE	APP REV. DATE	WESCO INDUSTRIAL PRODUCTS INC. LANSDALE PENNA. 19446	
		PART NAME HT-2346-2F-A HT SERIES, LIFT TABLE	DRAWN: J.L. 11-21-08
TOLERANCE UNLESS OTHERWISE SPECIFIED		APP. ENGR.	
FRACTION 3 PLACE DECIMAL 2 PLACE DECIMAL		SCALE: 1" = 1"	
± 1/64 ± .005 ± .01		492207	
ANGULAR ± 1-1/2" SHEET 1 OF 1		REV A	
BREAK ALL SHARP EDGES AND REMOVE ALL BURRS			