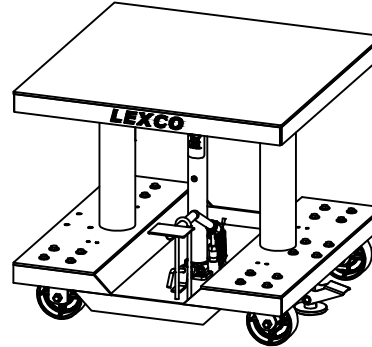
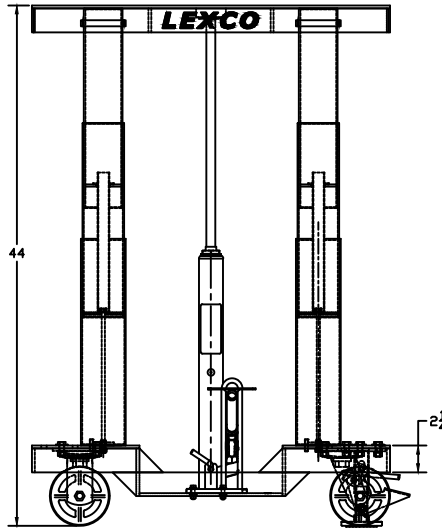
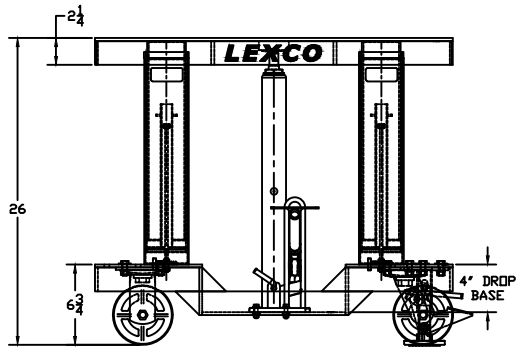
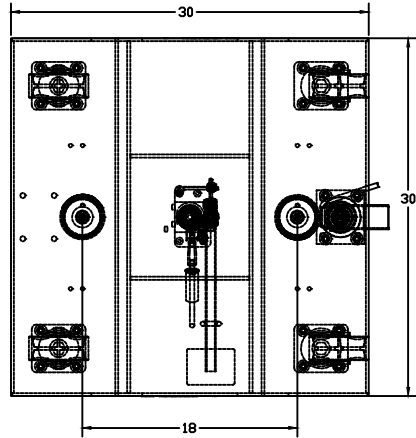


492200



Foot and Electric Hydraulic Lift Table

- AC and DC power option available.
- 0.25" reinforced steel top and base.
- 2 rigid and 2 swivel 5" diameter steel wheels and 1 floor lock on 20" x 30" and 30" x 30" models.
- 4 swivel 5" diameter steel wheels and 2 floor locks on 30" x 40" models.
- Precision telescoping guide tubes.

Specs

- Capacity: 2000 lbs
- Table size: 30" x 30"
- Lowered height: 26"
- Raised height: 44"
- Caster: 5"
- Lift: 18"
- Weight(foot opp.): 284 lbs
- Weight(electric opp.): 364 lbs

THIS DRAWING IN ALL PARTICULARS IS WESCO INDUSTRIAL PRODUCTS INC. PROPERTY. ALL RIGHTS OF DESIGN, INVENTION OR USE OF ARE RESERVED.

PRINT ISSUED  
 JULY 15, 2009  
 WESCO MANUFACTURING  
 ENGINEERING DEPARTMENT

9536 067-15-09 A RELEASED FOR PRODUCTION REV:	J G L APP REVISIONS EGN & DATE	<b>WESCO INDUSTRIAL PRODUCTS INC.</b> LANSDALE PENNA. 19446		
	PART NAME HT-3368-2F-A 2000 lb. CAP. LIFT TABLE, 18" STROKE		DRAWN: J.L. 07-15-09	
	TOLERANCE UNLESS OTHERWISE SPECIFIED		CHECKED:	
	FRACTION ± 1/64	3 PLACE DECIMAL ± .005	2 PLACE DECIMAL ± .01	APP. ENGR.
	ANGULAR ± 1-1/2° BREAK ALL SHARP EDGES AND REMOVE ALL BURRS		SCALE: 1" = 1"	492200 REV: A