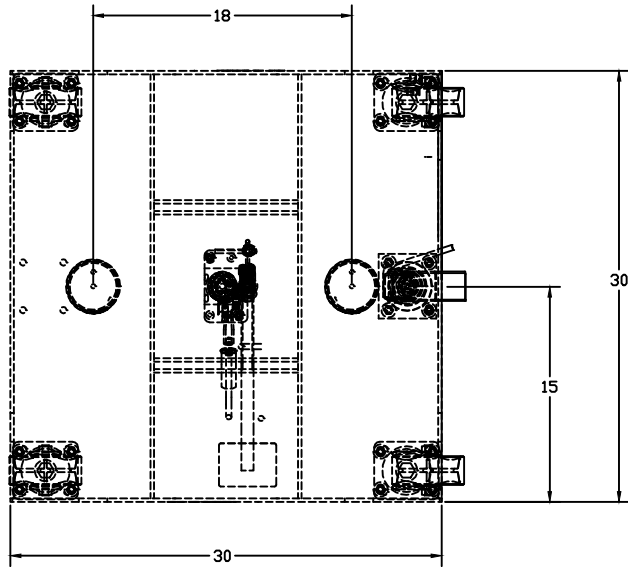
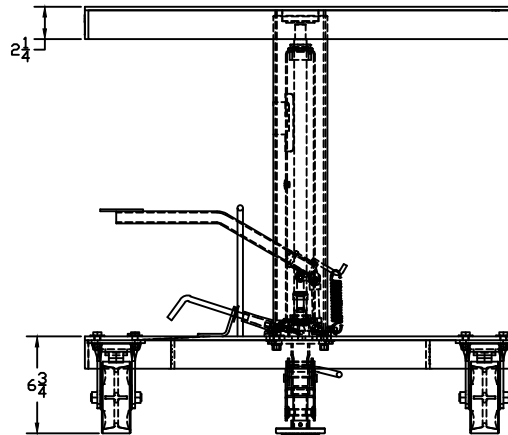
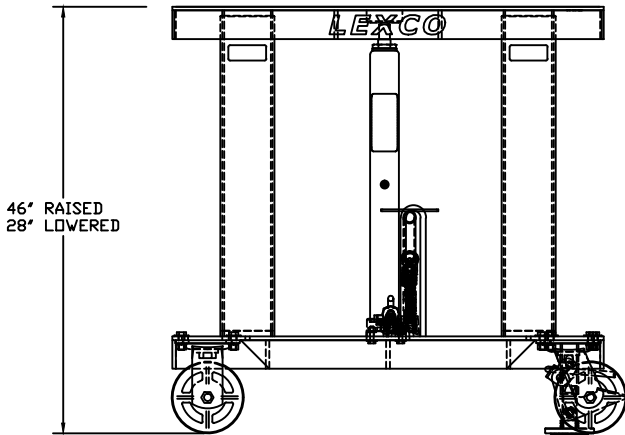


492199



Foot and Electric Hydraulic Lift Table

- AC and DC power option available.
- 0.25" reinforced steel top and base.
- 2 rigid and 2 swivel 5" diameter steel wheels and 1 floor lock on 20" x 30" and 30" x 30" models.
- 4 swivel 5" diameter steel wheels and 2 floor locks on 30" x 40" models.
- Precision telescoping guide tubes.



Specs

- Capacity: 2000 lbs
- Table size: 30" x 30"
- Lowered height: 28"
- Raised height: 46"
- Caster: 5"
- Lift: 18"
- Weight(foot opp.): 274 lbs
- Weight(electric opp.): 354 lbs

PRINT ISSUED

NOV. 02, 2009

WESCO MANUFACTURING  
ENGINEERING DEPARTMENT

THIS DRAWING IS THE PROPERTY OF WESCO INDUSTRIAL PRODUCTS INC. ALL RIGHTS OF DESIGN, INVENTION OR USE ARE RESERVED.

|  |   |
|--|---|
| WESCO INDUSTRIAL PRODUCTS INC.<br>LANSDALE, PENNA. 19446 |   |
| PART NAME<br>HT-3388-2F-A<br>30" X 30" LIFT TABLE        | DRAWN J.L. 11-02-09<br>CHECKED:<br>APP. ENGR. |
| TOLERANCES UNLESS OTHERWISE SPECIFIED                    |   |
| FINISH   | 3 PLACE DECIMAL 3 PLACE DECIMAL               |
| 3 1/8" 3 200   | 3 1/8" 3 200                                  |
| 3 1/8" 3 1/16" 1 1/8" 1 1/8"                             | 3 1/8" 3 1/8"                                 |
| SHEET 1 OF 1   |   |
| 492199 2 A   |   |