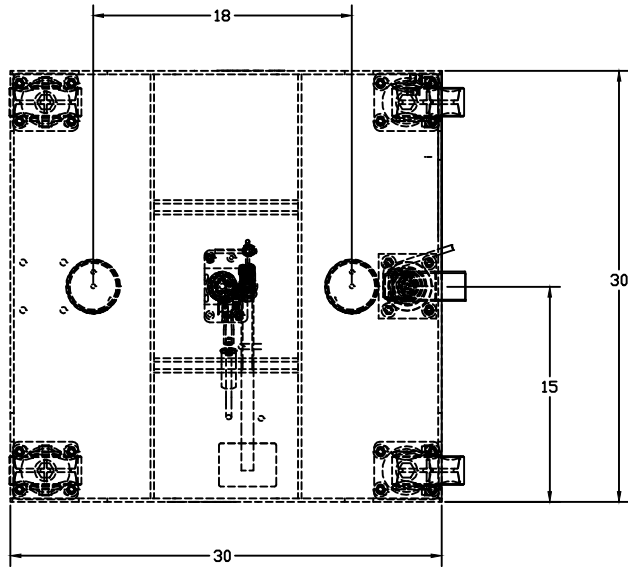
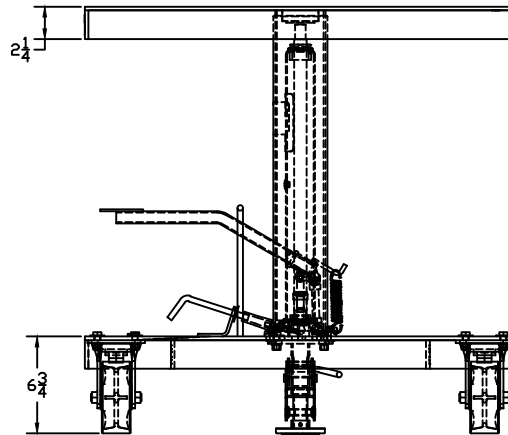
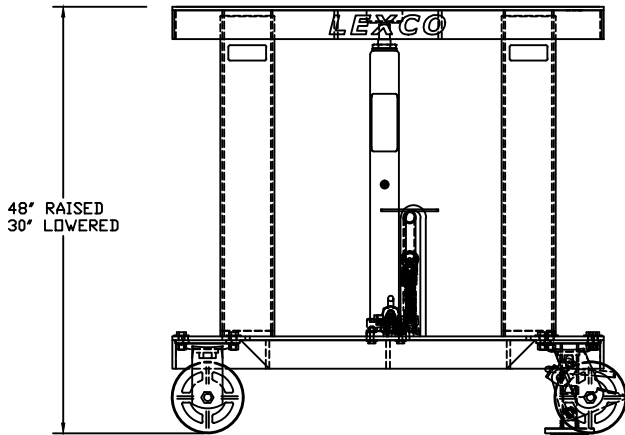


492193



Foot and Electric Hydraulic Lift Table

- AC and DC power option available.
- 0.25" reinforced steel top and base.
- 2 rigid and 2 swivel 5" diameter steel wheels and 1 floor lock on 20" x 30" and 30" x 30" models.
- 4 swivel 5" diameter steel wheels and 2 floor locks on 30" x 40" models.
- Precision telescoping guide tubes.



Specs

- Capacity: 2000 lbs
- Table size: 30" x 30"
- Lowered height: 30"
- Raised height: 48"
- Caster: 5"
- Lift: 18"
- Weight(foot opp.): 276 lbs
- Weight(electric opp.): 355 lbs

PRINT ISSUED

NOV. 02, 2009

WESCO MANUFACTURING
ENGINEERING DEPARTMENT

THIS DRAWING IS THE PROPERTY OF WESCO INDUSTRIAL PRODUCTS INC. ALL RIGHTS OF DESIGN, INVENTION OR USE OF ARE RESERVED.

WOOD A 1/2"	30 1/2"	30 1/2"	30 1/2"
	WESCO INDUSTRIAL PRODUCTS INC. LANSDALE, PENNA. 19446		
	PART NAME HT-3338-2F-A 30" X 30" LIFT TABLE		DRAWN J.L. 11-02-09 CHECKED: APP. ENGR.
	TOLERANCES UNLESS OTHERWISE SPECIFIED FINISH 3 PLACE DECIMAL 2 PLACE DECIMAL Holes 1/16" 1/32" 1/64"		SCALE 1" = 1" 492193 2 A