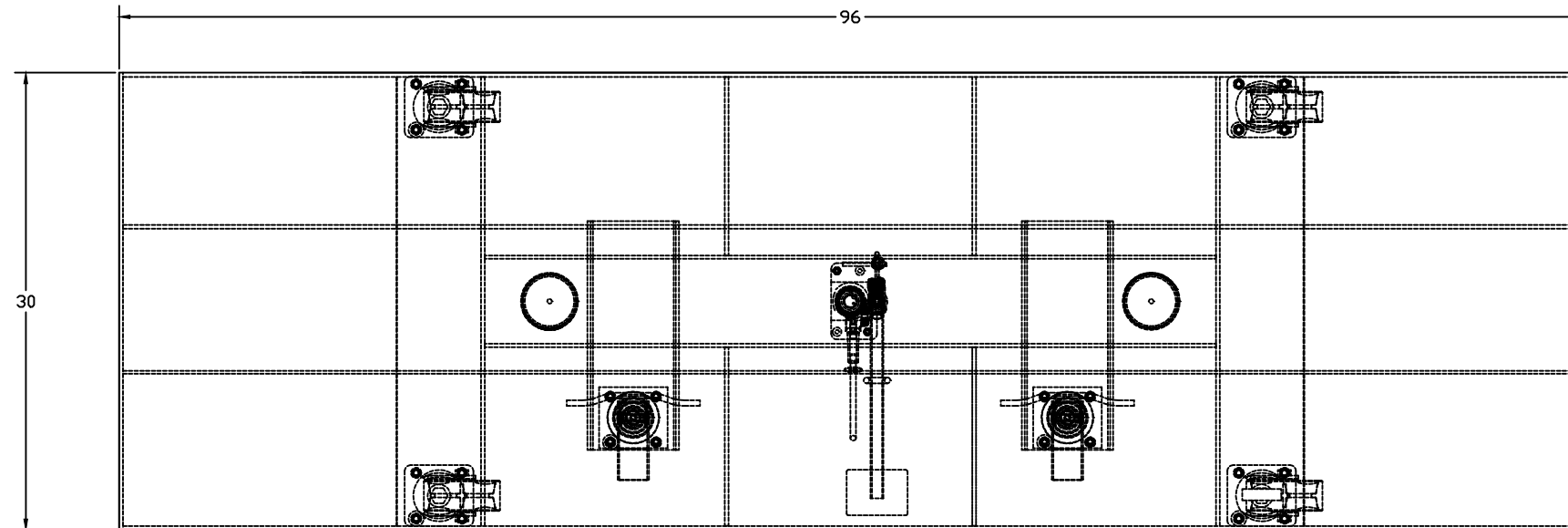


492130

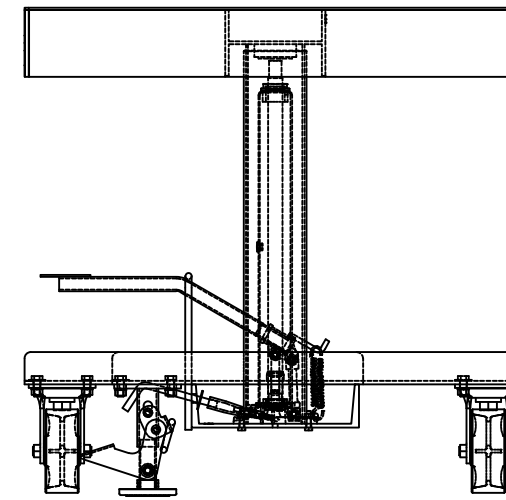
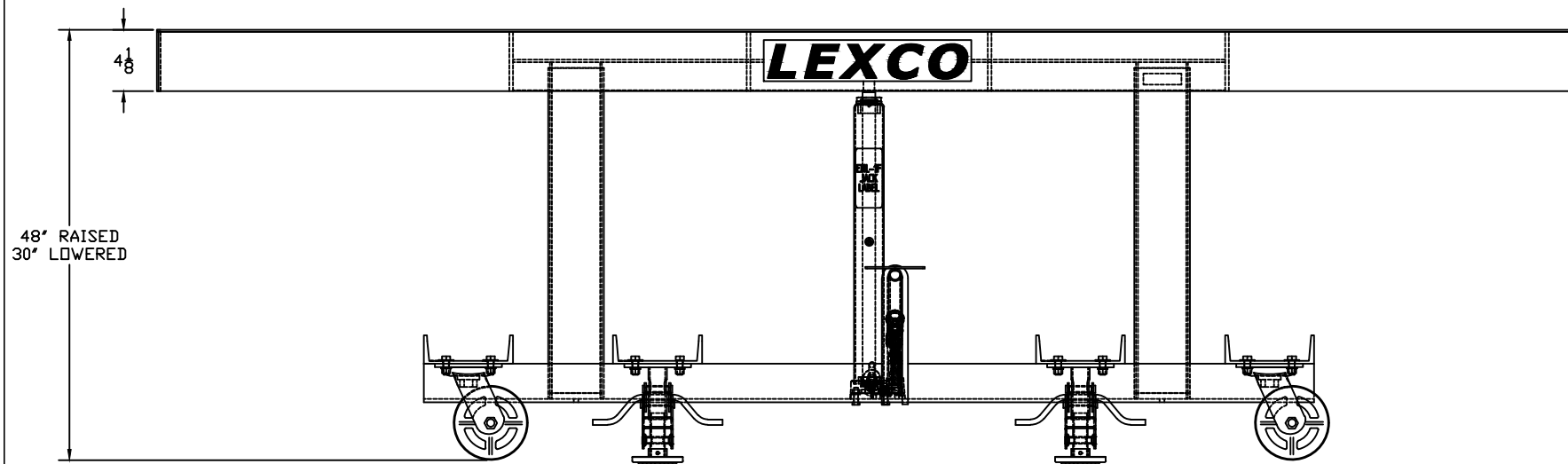
Foot and Powered Portable Hydraulic Lift Table

- AC and DC power option available.
- Standard lift height 30" – 48".
- Optional lift ranges available, call factory.
- 10 guage steel top.
- Foot operated.
- Precision telescoping guide tubes,
- 4 swivel 5" diameter steel wheels or optional polyurethane wheels.
- 2 floor locks.



Specs

- Capacity: 2000 lbs
- Table size: 30" x 96"
- Raised height: 48"
- Lowered height: 30"
- Caster: 5"
- Lift: 18"
- Weight: 512 lbs



48" RAISED  
30" LOWERED

THIS DRAWING IN ALL PARTICULARS IS WESCO INDUSTRIAL PRODUCTS INC. PROPERTY. ALL RIGHTS OF DESIGN, INVENTION OR USE OF ARE RESERVED.

PRINT ISSUED  
APRIL 01, 2008  
WESCO MANUFACTURING  
ENGINEERING DEPARTMENT

|  |   |                                     |      |
|--|---|-------------------------------------|------|
| JL                                     | JL  | JL                                  | APP  |
| XXXX 01/20/10<br>ADDED ITEM 11, 108427 | 9492 04/27/09<br>498020 WAS 492010<br>498615 WAS 498602<br>ADDED NOTE #6<br>REMOVED:492019, 492024,<br>492025, 108196 | 6427 04/01/08<br>PRODUCTION RELEASE |      |
| C                                      | B   | A                                   | REV. |

|  |  |                      |  |
|--|--|----------------------|--|
| <b>WESCO INDUSTRIAL PRODUCTS INC.</b><br>LANSDALE PENNA. 19446 |  |                      |  |
| PART NAME<br>STN-3008-2F-A                                     |  | DRAWN: J.L. 04-01-08 |  |
| TOLERANCE UNLESS OTHERWISE SPECIFIED                           |  | CHECKED:             |  |
| FRACTION 3 PLACE DECIMAL 2 PLACE DECIMAL                       |  | APP. ENGR.           |  |
| ± 1/64 ± .005 ± .01  |  | SCALE: 1" = 1"       |  |
| ANGULAR ± 1-1/2'   |  | SHEET 1 OF 1         |  |
| BREAK ALL SHARP EDGES AND REMOVE ALL BURRS                     |  | 492130 REV C         |  |