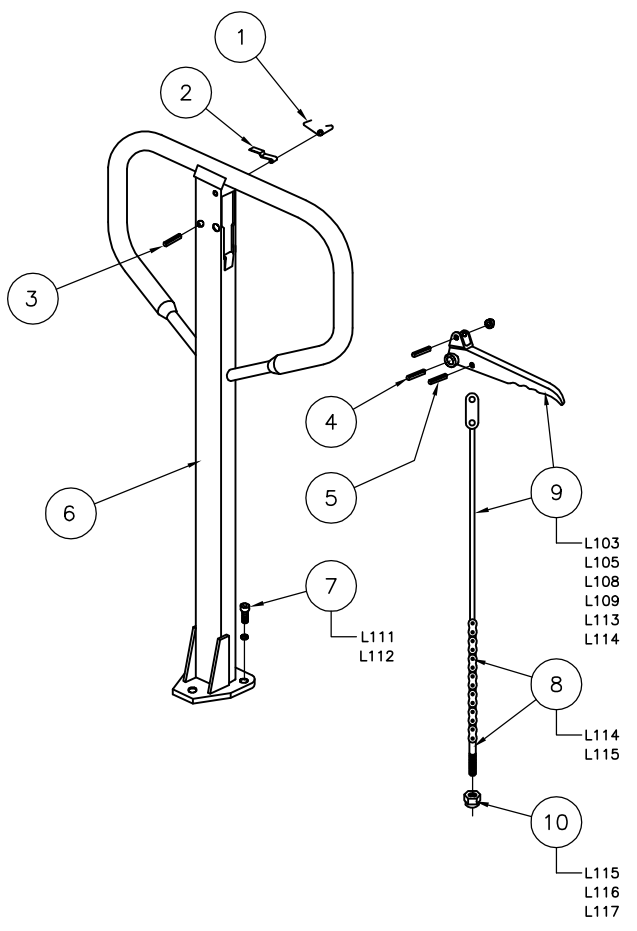
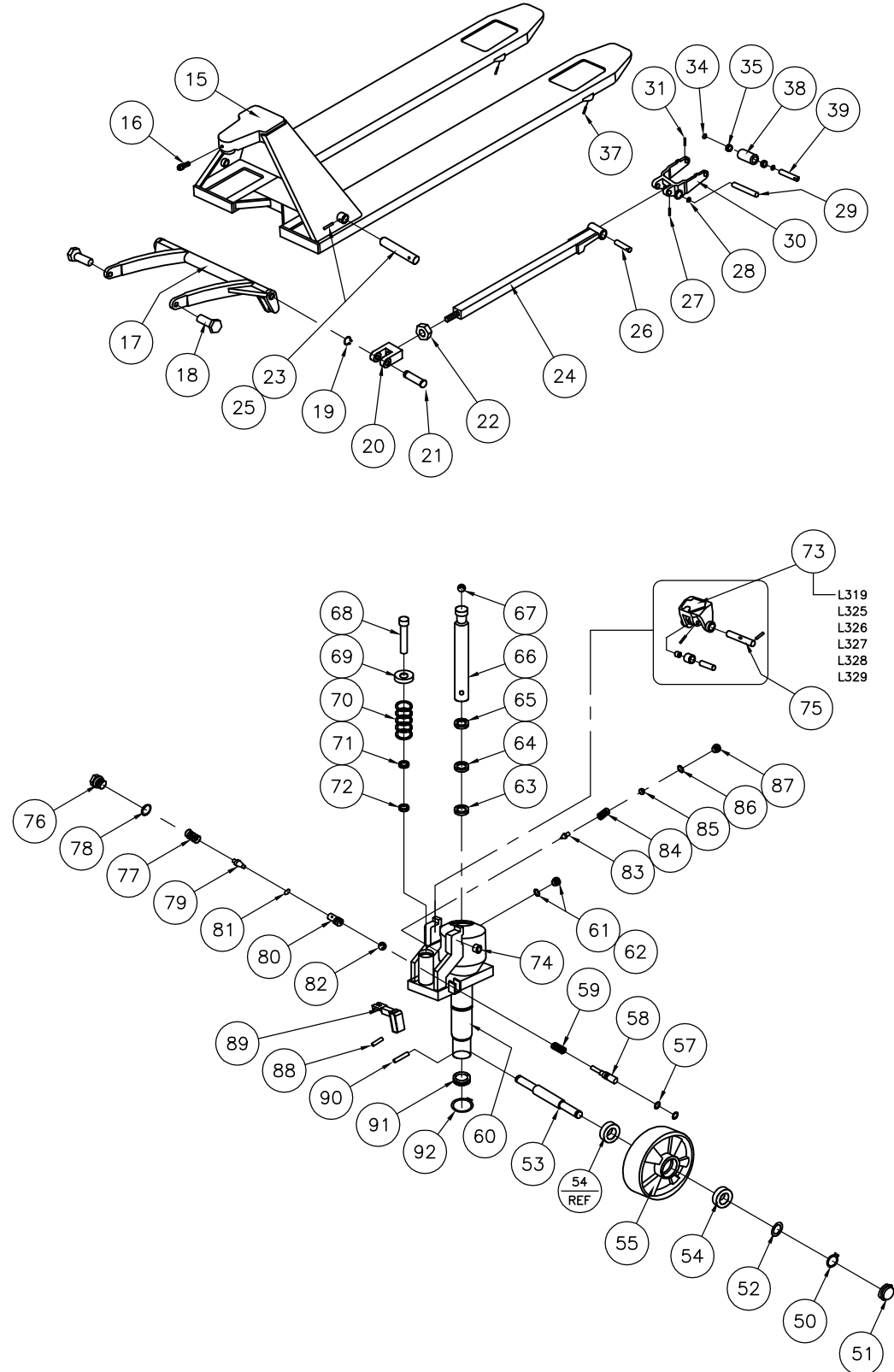


CPII LOWBOY PALLET JACK

- Many features are the same as CPII
- Lowered height of 2.125"
- Raised height of 6.25"
- 3 year pump warranty.
- 7" wide forks.
- 7" Moldon Polyurethane steering wheels.
- 2" steel load wheels.
- 46.5" O.A.H



JACK PARTS LIST				
50	272789	L301	LARGE RETAINER RING	2
51	272793	L302	HUB CAB (POLY WHL.)	2
52	272794	L303	WASHER (POLY WHL.)	2
53	272795	L304	AXLE OF STEERING WHEEL	1
54	272325	L305	BEARING	4
55	272785	L306	WHEELS (POLY)	2
56	272794	L307	WASHER	2
57	273013	L308	O-RING	2
58	273014	L309	RELEASE VALVE	1
59	273015	L310	SPRING	1
60	272779	L311	PUMP BODY	1
61	273016	L312	SEAL WASHER	1
62	273017	L313	BOLT	1
63	273018	L314	Y-SEAL	1
64	273019	L315	Y-SEAL	1
65	273020	L316	WIPER	1
66	273021	L317	LIFT PISTON	1
67	273022	L318	STEEL BALL	1
68	272797	L320	PUMP PISTON	1
69	272310	L321	CAP OF PISTON	1
70	272790	L322	SPRING	1
71	272798	L323	WIPER	1
72	272799	L324	Y-SEAL	1
73	272773		KIT: BRACKET ASS'Y	1
		L319	BRACKET	1
	272774	L325	AXLE OF ROLLER	1
	272075	L326	PRESSURE ROLLER	1
	272085	L327	BUSHING	1
	272090	L328	ELASTIC PIN	1
	272082	L329	ELASTIC PIN	1
74	273008	L330	BUSHING	1
75	274086	L331	AXLE WITH HOLE	1
76	273004	L332	PLUG BOLT	1
77	273006	L333	SPRING	1
78	273005	L334	SEAL WASHER	1
79	273003	L335	VALVE PIN	1
80	273002	L336	VALVE	1
81	273007	L337	O-RING	1
82	273001	L338	STEEL BALL	1
83	272099	L339	SAFE VALVE PIN	1
84	273026	L340	SPRING	1
85	273027	L341	ADJUSTING BOLT	1
86	272028	L342	O-RING	1
87	272029	L343	PLUG BOLT	1
88	273009	L344	ELASTIC PIN	1
89	273010	L345	LEVER	1
90	273011	L348	ELASTIC PIN	1
91	272100	L349	THRUST BEARING	1
92	273012	L350	SNAP RING	1
93	274082		SEAL KIT	1
94	272780		COMPLETE REPLACEMENT PUMP	1

HANDLE PARTS LIST (Type "A")				
1	274076	L101	SPRING	1
2	274083	L102	BLADE SPRING	1
3	272453	L104	ELASTIC PIN	1
4	272043	L106	ELASTIC PIN	1
5	272322	L107	ELASTIC PIN	1
6	274075	L110	HANDLE	1
7	274079		KIT: BOLT/ELASTIC WASHER	1
		L111	HANDLE	3
		L112	ELASTIC PIN	3
8	272454		KIT: CHAIN/PIN	1
		L114	CHAIN	1
		L115	PIN	1
9	272791		KIT: CONTROL HANDLE	1
	274001	L103	ROLLER	1
	272042	L105	ELASTIC PIN	1
		L108	CONTROL HANDLE	1
	274084	L109	PULL BOARD	1
		L113	PULL ROD	1
		L114	PULL BOARD	1
10	274087		KIT: RELEASE ASSEMBLY	1
		L115	PIN	1
	272456	L116	ADJUSTING BOLT	1
	272337	L117	ADJUSTING NUT	1

FORK FRAME PARTS LIST				
15	272672	201SL	FORK FRAME	1
16	272673	202SL	BOLT	1
17	272674	203SL	ROCK ARM	1
18	272675	204SL	BOLT	2
19	272676	205SL	RETAINING RING	2
20	272677	206SL	JOINT	2
21	272678	207SL	BOLT	2
22	272679	208SL	NUT	2
23	272680	209SL	ELASTIC PIN	2
24	272681	210SL	PUSHING ROD	2
25	272682	211SL	LONG SHAFT	2
26	272683	212SL	SHAFT	2
27	272684	213SL	ELASTIC PIN	2
28	272685	214SL	WASHER	2
29	272686	215SL	SHAFT	2
30	272687	216SL	FRAME OF ROLLER	2
31	272688	217SL	ELASTIC PIN	2
32	N/A	218SL	LINK PLATE	
33	N/A	219SL	SHAFT FOR ROLLER	
34	272689	220SL	WASHER	4
35	272690	221SL	BEARING	2
36	N/A	222SL	ROLLER	
37	272691	223SL	ELASTIC PIN	4
38	272692	224SL	ROLLER	2
39	272693	225SL	SHAFT OF ROLLER	2

P/N 278142

Wheel: Polyurethane
 Fork: 21" x 42"
 Weight: 235 lbs
 Capacity: 4,400 lbs

THIS DRAWING IN ALL PARTICULARS IS WESCO INDUSTRIAL PRODUCTS INC. PROPERTY. ALL RIGHTS OF DESIGN, INVENTION OR USE OF ARE RESERVED.

PRINT ISSUED
 DEC 1, 2006
 WESCO MANUFACTURING
 ENGINEERING DEPARTMENT

WESCO INDUSTRIAL PRODUCTS INC. PENNA. 19446	
PART NAME CPII: LOWBOY 21X42 PALLET TRUCK	DRAWN: KL 11-22-06
TOLERANCE UNLESS OTHERWISE SPECIFIED	CHECKED:
FRACTION 3 PLACE DECIMAL 2 PLACE DECIMAL	APP. ENGR.
± 1/64 ± .005 ± .01	SCALE: 1" = 2"
ANGULAR ± 1-1/2° SHEET 1 OF 1	D-278142
BREAK ALL SHARP EDGES AND REMOVE ALL BURRS	