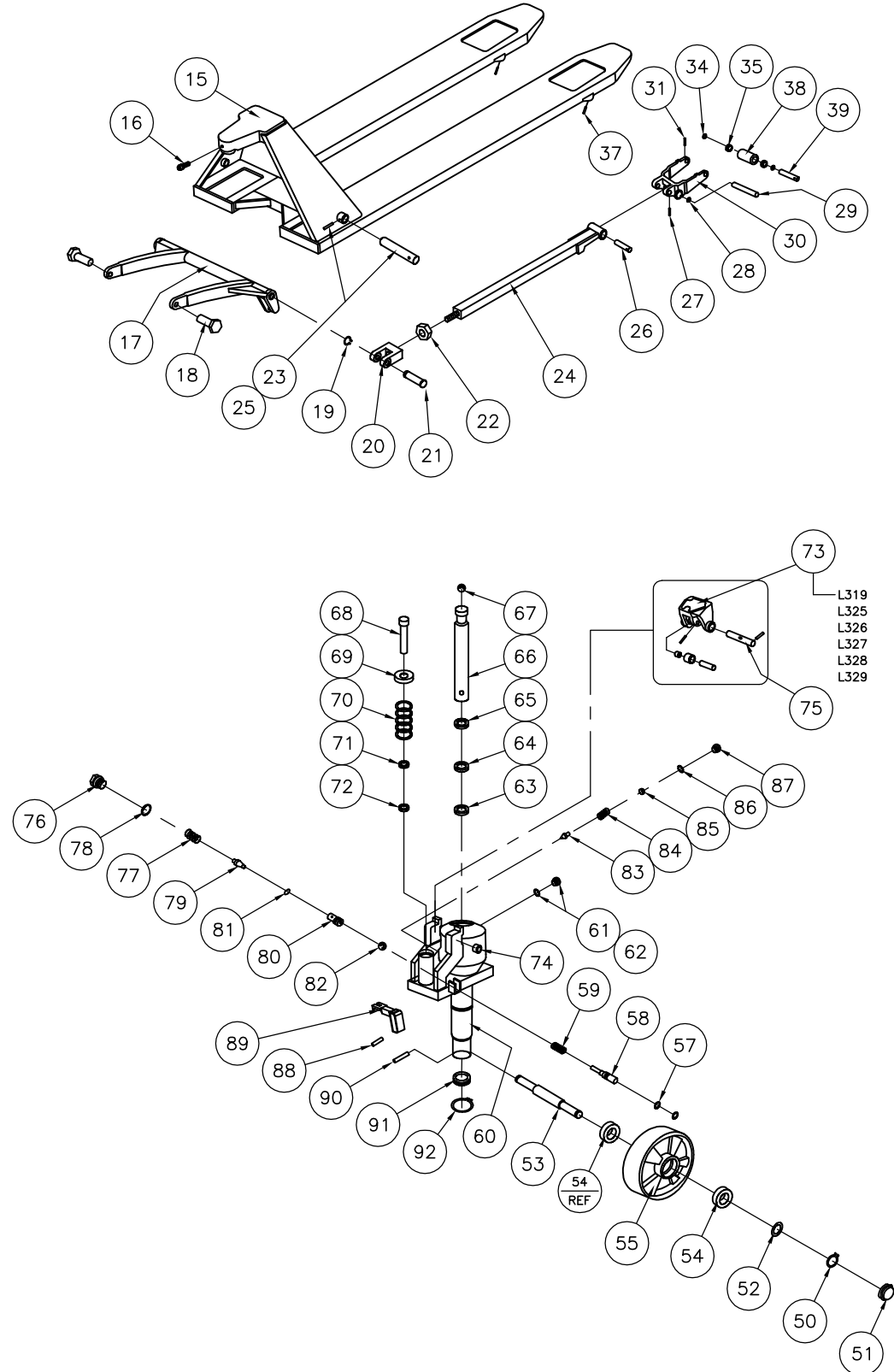


CPII LOWBOY PALLET JACK

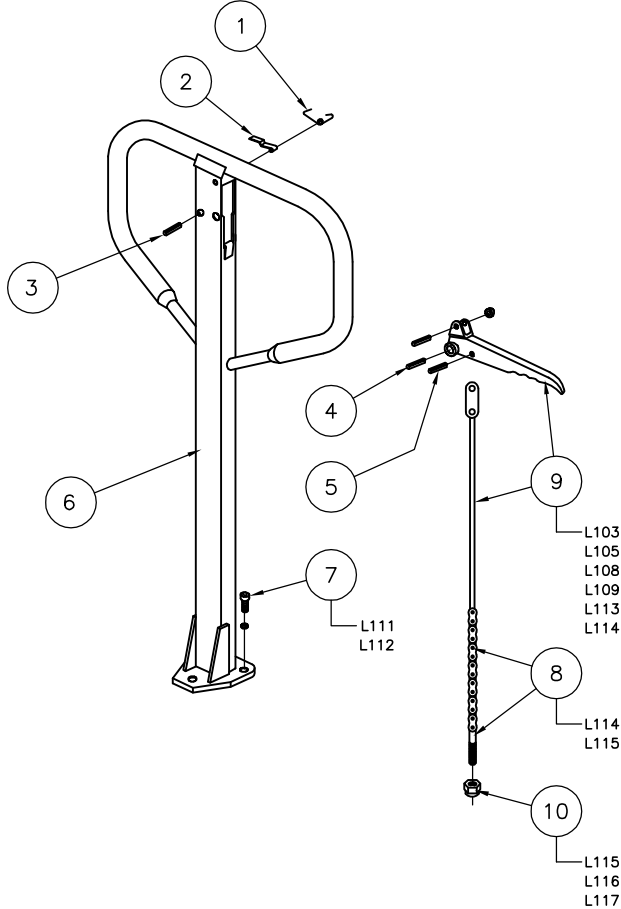
- Many features are the same as CPII
- Lowered height of 2.125"
- Raised height of 6.25"
- 3 year pump warranty.
- 7" wide forks.
- 7" Moldon Polyurethane steering wheels.
- 2" steel load wheels.
- 46.5" O.A.H



| JACK PARTS LIST | | | | |
|-----------------|--------|------|---------------------------|---|
| 50 | 272789 | L301 | LARGE RETAINER RING | 2 |
| 51 | 272793 | L302 | HUB CAB (POLY WHL.) | 2 |
| 52 | 272794 | L303 | WASHER (POLY WHL.) | 2 |
| 53 | 272795 | L304 | AXLE OF STEERING WHEEL | 1 |
| 54 | 272325 | L305 | BEARING | 4 |
| 55 | 272785 | L306 | WHEELS (POLY) | 2 |
| 56 | 272794 | L307 | WASHER | 2 |
| 57 | 273013 | L308 | O-RING | 2 |
| 58 | 273014 | L309 | RELEASE VALVE | 1 |
| 59 | 273015 | L310 | SPRING | 1 |
| 60 | 272779 | L311 | PUMP BODY | 1 |
| 61 | 273016 | L312 | SEAL WASHER | 1 |
| 62 | 273017 | L313 | BOLT | 1 |
| 63 | 273018 | L314 | Y-SEAL | 1 |
| 64 | 273019 | L315 | Y-SEAL | 1 |
| 65 | 273020 | L316 | WIPER | 1 |
| 66 | 273021 | L317 | LIFT PISTON | 1 |
| 67 | 273022 | L318 | STEEL BALL | 1 |
| 68 | 272797 | L320 | PUMP PISTON | 1 |
| 69 | 272310 | L321 | CAP OF PISTON | 1 |
| 70 | 272790 | L322 | SPRING | 1 |
| 71 | 272798 | L323 | WIPER | 1 |
| 72 | 272799 | L324 | Y-SEAL | 1 |
| 73 | 272773 | | KIT: BRACKET ASS'Y | 1 |
| | | L319 | BRACKET | 1 |
| | | L325 | AXLE OF ROLLER | 1 |
| | | L326 | PRESSURE ROLLER | 1 |
| | | L327 | BUSHING | 1 |
| | | L328 | ELASTIC PIN | 1 |
| | | L329 | ELASTIC PIN | 1 |
| 74 | 273008 | L330 | BUSHING | 1 |
| 75 | 274086 | L331 | AXLE WITH HOLE | 1 |
| 76 | 273004 | L332 | PLUG BOLT | 1 |
| 77 | 273006 | L333 | SPRING | 1 |
| 78 | 273005 | L334 | SEAL WASHER | 1 |
| 79 | 273003 | L335 | VALVE PIN | 1 |
| 80 | 273002 | L336 | VALVE | 1 |
| 81 | 273007 | L337 | O-RING | 1 |
| 82 | 273001 | L338 | STEEL BALL | 1 |
| 83 | 272099 | L339 | SAFE VALVE PIN | 1 |
| 84 | 273026 | L340 | SPRING | 1 |
| 85 | 273027 | L341 | ADJUSTING BOLT | 1 |
| 86 | 272028 | L342 | O-RING | 1 |
| 87 | 272029 | L343 | PLUG BOLT | 1 |
| 88 | 273009 | L344 | ELASTIC PIN | 1 |
| 89 | 273010 | L345 | LEVER | 1 |
| 90 | 273011 | L348 | ELASTIC PIN | 1 |
| 91 | 272100 | L349 | THRUST BEARING | 1 |
| 92 | 273012 | L350 | SNAP RING | 1 |
| 93 | 274082 | | SEAL KIT | 1 |
| 94 | 272780 | | COMPLETE REPLACEMENT PUMP | 1 |

| HANDLE PARTS LIST (Type "A") | | | | |
|------------------------------|--------|------|--------------------------|---|
| 1 | 274076 | L101 | SPRING | 1 |
| 2 | 274083 | L102 | BLADE SPRING | 1 |
| 3 | 272453 | L104 | ELASTIC PIN | 1 |
| 4 | 272043 | L106 | ELASTIC PIN | 1 |
| 5 | 272322 | L107 | ELASTIC PIN | 1 |
| 6 | 274075 | L110 | HANDLE | 1 |
| 7 | 274079 | | KIT: BOLT/ELASTIC WASHER | 1 |
| | | L111 | HANDLE | 3 |
| | | L112 | ELASTIC PIN | 3 |
| 8 | 272454 | | KIT: CHAIN/PIN | 1 |
| | | L114 | CHAIN | 1 |
| | | L115 | PIN | 1 |
| 9 | 272791 | | KIT: CONTROL HANDLE | 1 |
| | 274001 | L103 | ROLLER | 1 |
| | 272042 | L105 | ELASTIC PIN | 1 |
| | | L108 | CONTROL HANDLE | 1 |
| | 274084 | L109 | PULL BOARD | 1 |
| | | L113 | PULL ROD | 1 |
| | | L114 | PULL BOARD | 1 |
| 10 | 274087 | | KIT: RELEASE ASSEMBLY | 1 |
| | | L115 | PIN | 1 |
| | 272456 | L116 | ADJUSTING BOLT | 1 |
| | 272337 | L117 | ADJUSTING NUT | 1 |

| FORK FRAME PARTS LIST | | | | |
|-----------------------|--------|-------|------------------|---|
| 15 | 272672 | 201SL | FORK FRAME | 1 |
| 16 | 272673 | 202SL | BOLT | 1 |
| 17 | 272674 | 203SL | ROCK ARM | 1 |
| 18 | 272675 | 204SL | BOLT | 2 |
| 19 | 272676 | 205SL | RETAINING RING | 2 |
| 20 | 272677 | 206SL | JOINT | 2 |
| 21 | 272678 | 207SL | BOLT | 2 |
| 22 | 272679 | 208SL | NUT | 2 |
| 23 | 272680 | 209SL | ELASTIC PIN | 2 |
| 24 | 272681 | 210SL | PUSHING ROD | 2 |
| 25 | 272682 | 211SL | LONG SHAFT | 2 |
| 26 | 272683 | 212SL | SHAFT | 2 |
| 27 | 272684 | 213SL | ELASTIC PIN | 2 |
| 28 | 272685 | 214SL | WASHER | 2 |
| 29 | 272686 | 215SL | SHAFT | 2 |
| 30 | 272687 | 216SL | FRAME OF ROLLER | 2 |
| 31 | 272688 | 217SL | ELASTIC PIN | 2 |
| 32 | N/A | 218SL | LINK PLATE | |
| 33 | N/A | 219SL | SHAFT FOR ROLLER | |
| 34 | 272689 | 220SL | WASHER | 4 |
| 35 | 272690 | 221SL | BEARING | 2 |
| 36 | N/A | 222SL | ROLLER | |
| 37 | 272691 | 223SL | ELASTIC PIN | 4 |
| 38 | 272692 | 224SL | ROLLER | 2 |
| 39 | 272693 | 225SL | SHAFT OF ROLLER | 2 |



P/N 278136

Wheel: Polyurethane
 Fork: 21" x 36"
 Weight: 226 lbs
 Capacity: 4,400 lbs

THIS DRAWING IN ALL PARTICULARS IS WESCO INDUSTRIAL PRODUCTS INC. PROPERTY. ALL RIGHTS OF DESIGN, INVENTION OR USE OF ARE RESERVED.

PRINT ISSUED
 NOV. 29, 2006
 WESCO MANUFACTURING
 ENGINEERING DEPARTMENT

| | |
|---|--------------------|
| WESCO INDUSTRIAL PRODUCTS INC. PENNA. 19446 | |
| PART NAME CPII: LOWBOY 21X36 PALLET TRUCK | DRAWN: KL 11-22-06 |
| TOLERANCE UNLESS OTHERWISE SPECIFIED | CHECKED: |
| FRACTION 3 PLACE DECIMAL 2 PLACE DECIMAL | APP. ENGR. |
| ± 1/64 ± .005 ± .01 | SCALE: 1" = 2" |
| ANGULAR ± 1-1/2° | SHEET 1 OF 1 |
| BREAK ALL SHARP EDGES AND REMOVE ALL BURRS | D-278136 |