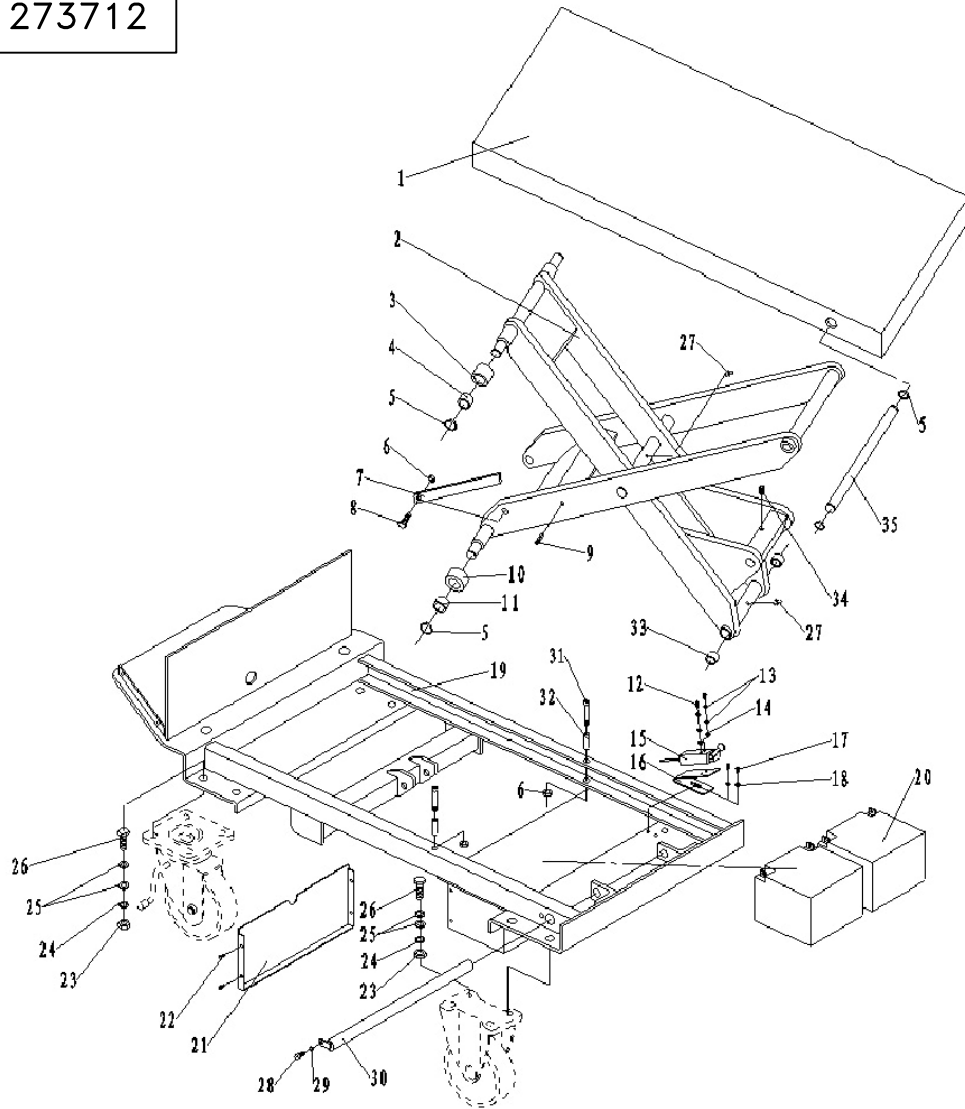


273712



REPLACEMENT PARTS LIST

ITEM	PART NO.	DESCRIPTION	QTY.
1		PLATFORM WELDMENT	1
2		SCISSORS WELDMENT	1
3		(PLATFORM) GUIDE WHEEL	2
4		CIRCLIPS FOR SHAFT 22	4
5		HEX NUT M10	2
6		FLAT WASHER 10	2
7		SUPPORT PLATE	2
8		BOLT M10 X 40	2
9		ELASTIC CYLINDRICAL PIN 8 X 26	1
10		UNDER ROLLER	2
11		CAM	2
12		CAM SHAFT	1
13		ELASTIC CYLINDRICAL PIN 4 X 22	1
14		BOLT M8 X 12	2
15		BRAKE FOOTPEDAL	1
16		SCREW M8 X 16	1
17		BEARING 6205	2
18		BUSHING	2
19		ROLLER BEARING 30205	2
20		BOLT M10 X 25	2
21		HEX NUT M10	1
22		ROUND NUT	4
23		SPRING	2
24		STEERING WHEEL SEAT WELDMENT	2
25		SCREW M12 X 80	2
26		BRAKING PLATE WELDMENT	2

REPLACEMENT PARTS LIST

ITEM	PART NO.	DESCRIPTION	QTY.
27		BEARING O4	4
28		WHEEL	2
29		BUSHING	2
30		SPRING WASHER 12	2
31		HEX NUT M12	2
32		CHASSIS WELDMENT	1
33		BOLT M8 X 12	1
34		FIXED SHAFT WELDMENT	1
35		TANK COVER	1
36		SCREW M4 X 8	4
37		CIRCLIPS FOR SHAFT 20	6
38		AXLE	2
39		SPACER	4
40		BEARING 6204	4
41		WHEEL	2
42		BATTERY	4
43		SCREW M8 X 16	1
44		SCREW M4 X 35	2
45		FLAT WASHER 4	4
46		HEX NUT M4	2
47		LIMIT SWITCH Z-8104	1
48		TRAVEL SWITCH BASE	1
49		SCREWS M4 X 10	2
50		FLAT WASHER 5	2
51		FLAT WASHER 10	2

POWERED SCISSORS LIFT TABLES

P/N: 273712
 Model: PSLT-1650
 Capacity: 1650 lbs
 Table Top Size: 20" x 39.5" x 2.25"
 Overall Height: 36"
 Overall Width: 24.5"
 Overall Length: 54"
 Caster: 6" x 2"
 Moldon Polyurethane
 Weight: 353 lbs

THIS DRAWING IN ALL PARTICULARS IS WESCO INDUSTRIAL PRODUCTS INC. PROPERTY. ALL RIGHTS OF DESIGN, INVENTION OR USE OF ARE RESERVED.

PRINT ISSUED

FEB-25-2015

WESCO MANUFACTURING
ENGINEERING DEPARTMENT

APP
ECN & DATE
REV.

REVISIONS

WESCO INDUSTRIAL PRODUCTS INC.
NORTH WALES PENNA. 19454

PART NAME
PSLT-1650
POWERED SCISSORS LIFT TABLES

DRAWN: RS 02-25-15

CHECKED:

APP. ENGR.

SCALE:

TOLERANCE UNLESS OTHERWISE SPECIFIED

FRACTION 3 PLACE DECIMAL 2 PLACE DECIMAL

± 1/64 ± .005 ± .01

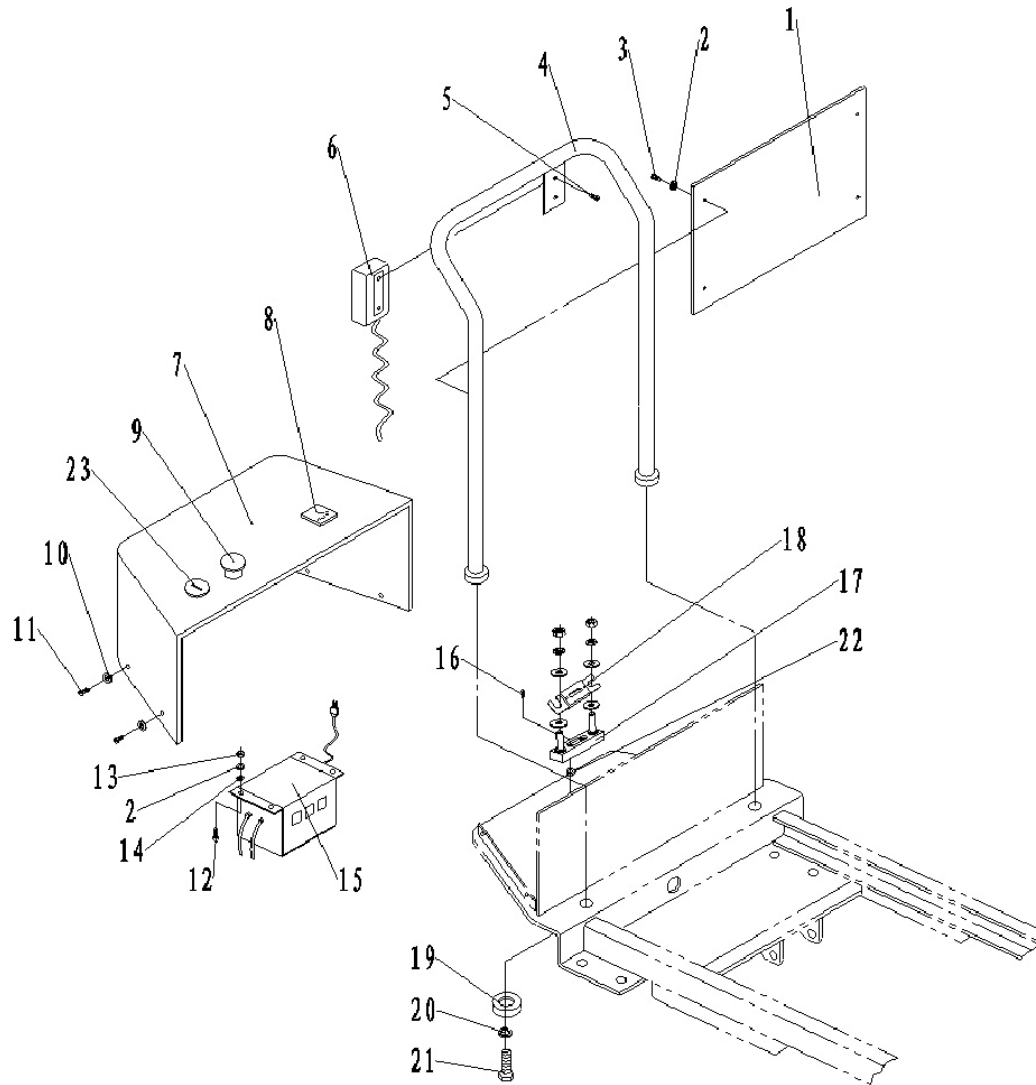
ANGULAR ± 1-1/2" SHEET 1 OF 4

BREAK ALL SHARP EDGES AND REMOVE ALL BURRS

A-273712

REV

273712



REPLACEMENT PARTS LIST

ITEM	PART NO.	DESCRIPTION	QTY.
1		DAMPER	1
2		FLAT WASHER	1
3		SCREW M6 X 16	4
4		HANDLE WELDMENT	1
5		SCREW M4 X 8	2
6		ETF 2-POSITION BUTTON ASSEMBLY	1
7		ELECTRICAL COVER	1
8		VOLTMETER CP-C48 0~30V	1
9		EMERGENCY STOP SWITCH CE4T-10R-01	1
10		FLAT WASHER	4
11		SCREW M5 X 15	4
12		SCREW M6 X 15	4
13		HEX NUT M6	4
14		SPRING WASHER	4
15		CHARGER 24V/3A	1
16		SCREW M5 X 20	2
17		FUSE HOLDERS SYY	1
18		BOLTED FUSE 60A	1
19		SPACER	2
20		SPRING WASHER	2
21		SCREW M12 X 30	2
22		LOCK NUT M5	2
23		GENERAL KEY SWITCH LKS-101A	1

THIS DRAWING IN ALL PARTICULARS IS WESCO INDUSTRIAL PRODUCTS INC. PROPERTY. ALL RIGHTS OF DESIGN, INVENTION OR USE OF ARE RESERVED.

PRINT ISSUED

FEB-25-2015

WESCO MANUFACTURING
ENGINEERING DEPARTMENT

APP
ECN & DATE
REV.

REVISIONS

WESCO INDUSTRIAL PRODUCTS INC.

NORTH WALES

PENNA. 19454

PART NAME

PSLT-1650

DRAWN: RS 02-25-15

POWERED SCISSORS LIFT TABLES

CHECKED:

TOLERANCE UNLESS OTHERWISE SPECIFIED

APP. ENGR.

FRACTION 3 PLACE DECIMAL 2 PLACE DECIMAL

SCALE:

± 1/64 ± .005 ± .01

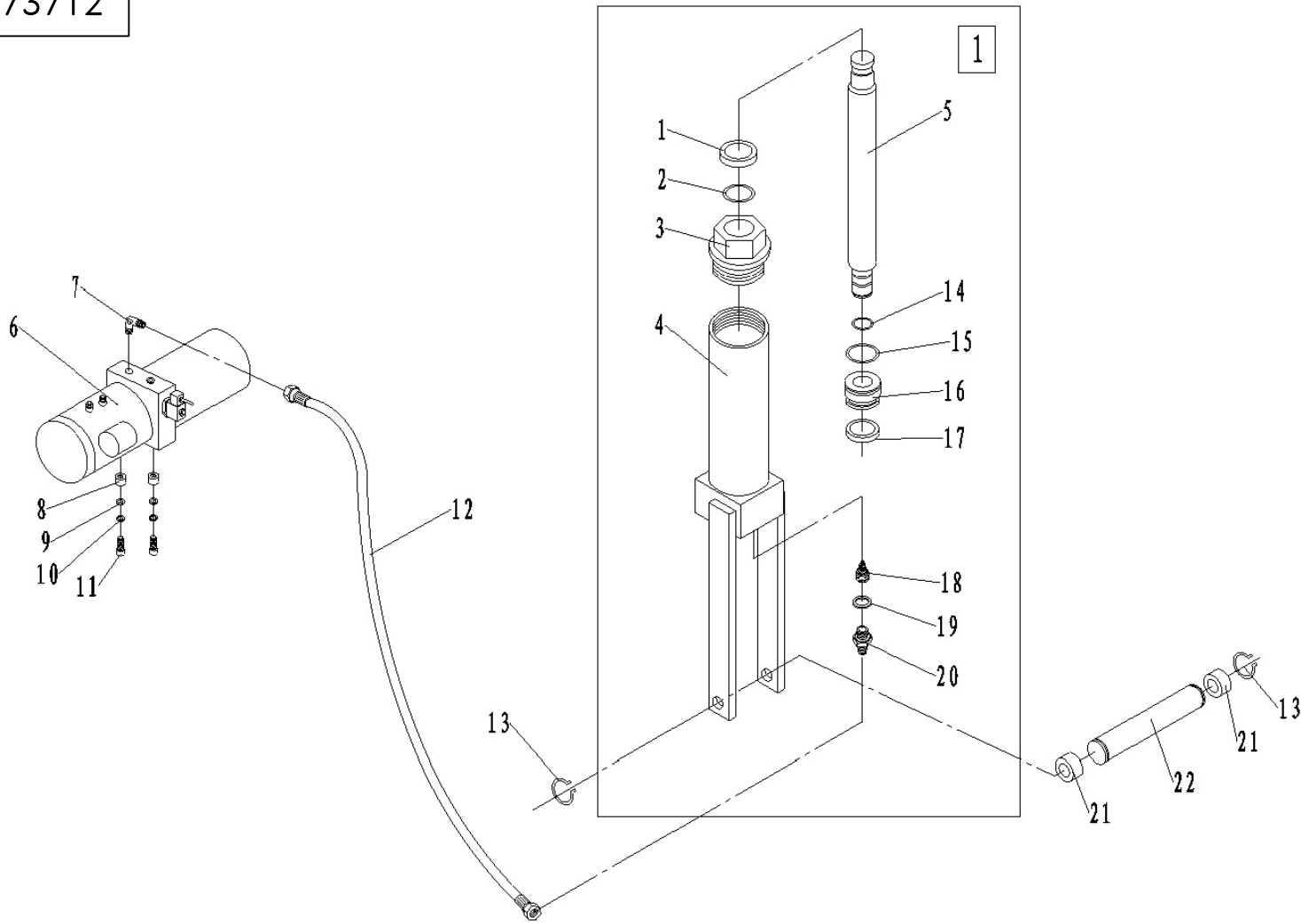
ANGULAR ± 1-1/2' SHEET 2 OF 4

BREAK ALL SHARP EDGES AND REMOVE ALL BURRS

A-273712

REV

273712



REPLACEMENT PARTS LIST

ITEM	PART NO.	DESCRIPTION	QTY.
1		DUST RING 35 X 43 X 5	1
2		O-RING 34.52 X 3.53	1
3		CYLINDER COVER	1
4		CYLINDER WELDMENT	1
5		PISTON ROD	1
6		PUMP STATION	1
7		RIGHT ANGLE ADJUSTMENT	1
8		WASHER	2
9		SPRING WASHER 10	2
10		FLAT WASHER 10	2
11		SCREW M10 X 30	2
12		HIGH PRESSURE HOSE	1
13		CIRCLIPS FOR SHAFT 20	2
14		ROUND WIRE SNAP RINGS	1
15		O-RING 60 X 3.5	1
16		PISTON	1
17		Y-TYPE SEALING RING FOR SHAFT	1
18		SAFETY VALVE ASSEMBLY	1
19		WASHER ASSEMBLY 16	1
20		HOSE JOINT	1
21		BUSHING	2
22		PUMP CONNECTING SHAFT	1
[1]		CYLINDER ASSEMBLY	1

THIS DRAWING IN ALL PARTICULARS IS WESCO INDUSTRIAL PRODUCTS INC. PROPERTY. ALL RIGHTS OF DESIGN, INVENTION OR USE OF ARE RESERVED.

PRINT ISSUED

FEB-25-2015

WESCO MANUFACTURING
ENGINEERING DEPARTMENT

APP
ECN & DATE
REV.

REVISIONS

WESCO INDUSTRIAL PRODUCTS INC.

NORTH WALES

PENNA. 19454

PART NAME

PSLT-1650

DRAWN: RS 02-25-15

POWERED SCISSORS LIFT TABLES

CHECKED:

TOLERANCE UNLESS OTHERWISE SPECIFIED

APP. ENGR.

FRACTION 3 PLACE DECIMAL 2 PLACE DECIMAL

SCALE:

± 1/64 ± .005 ± .01

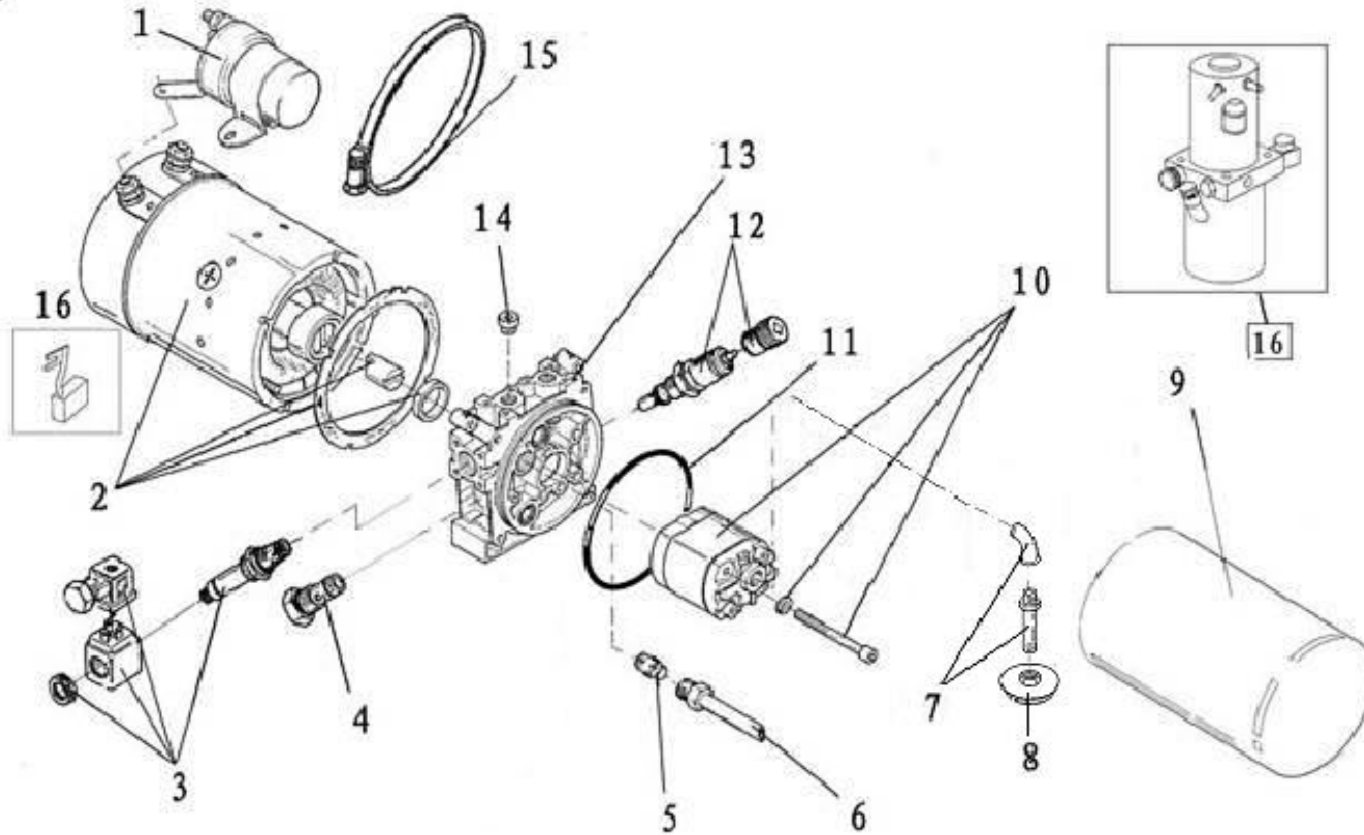
ANGULAR ± 1-1/2' SHEET 3 OF 4

BREAK ALL SHARP EDGES AND REMOVE ALL BURRS

A-273712

REV

273712



REPLACEMENT PARTS LIST

ITEM	PART NO.	DESCRIPTION	QTY.
1		STARTER RELAY	1
2		MOTOR	1
3		SOLENOID VALVE	1
4		CHECK VALVE	1
5		FLOW CONTROL VALVE	1
6		OIL RETURNING PIPE	1
7		OIL SUCTION PIPE	1
8		STRAINER	1
9		OIL TANK	1
10		GEAR PUMP	1
11		O-RING	1
12		OVERFLOW VALVE	1
13		VALVE BODY	1
14		PLUG	1
15		HOOP	1
16		MOTOR CARBON BRUSH	1
[16]		PUMP STATION 24V-800W	1

THIS DRAWING IN ALL PARTICULARS IS WESCO INDUSTRIAL PRODUCTS INC. PROPERTY. ALL RIGHTS OF DESIGN, INVENTION OR USE OF ARE RESERVED.

PRINT ISSUED

FEB-25-2015

WESCO MANUFACTURING
ENGINEERING DEPARTMENT

APP
ECN & DATE
REV.

REVISIONS

WESCO INDUSTRIAL PRODUCTS INC.

NORTH WALES

PENNA. 19454

PART NAME

PSLT-1650

DRAWN: RS 02-25-15

POWERED SCISSORS LIFT TABLES

CHECKED:

TOLERANCE UNLESS OTHERWISE SPECIFIED

APP. ENGR.

FRACTION 3 PLACE DECIMAL 2 PLACE DECIMAL

SCALE:

± 1/64 ± .005 ± .01

ANGULAR ± 1-1/2' SHEET 4 OF 4

BREAK ALL SHARP EDGES AND REMOVE ALL BURRS

A-273712

REV