

UNIT DIMENSIONS & INFORMATION

PART NO. (TRUCK+BATTERY+CHARGER)	273382	273386
PART NO. (TRUCK+NO BATTERY)	170013	170017
CAPACITY	4,400 lbs	4,400 lbs
W-1 X L-1	26.5" x 45"	21.5" x 45"
W-2	6.8"	6.8"
L-2	73.75"	73.75"
WHL-1/WHL-2	10" / 3"	10" / 3"
H-1/H-2/H-3	59" / 3.3" / 8"	59" / 3.3" / 8"
BATTERY	(3) 8V 195Ah	(3) 8V 195Ah
WEIGHT (WITH BATTERY)	1,370 lbs	1,337 lbs
WEIGHT (WITHOUT BATTERY)	860 lbs	827 lbs

WALKIE PALLET TRUCK

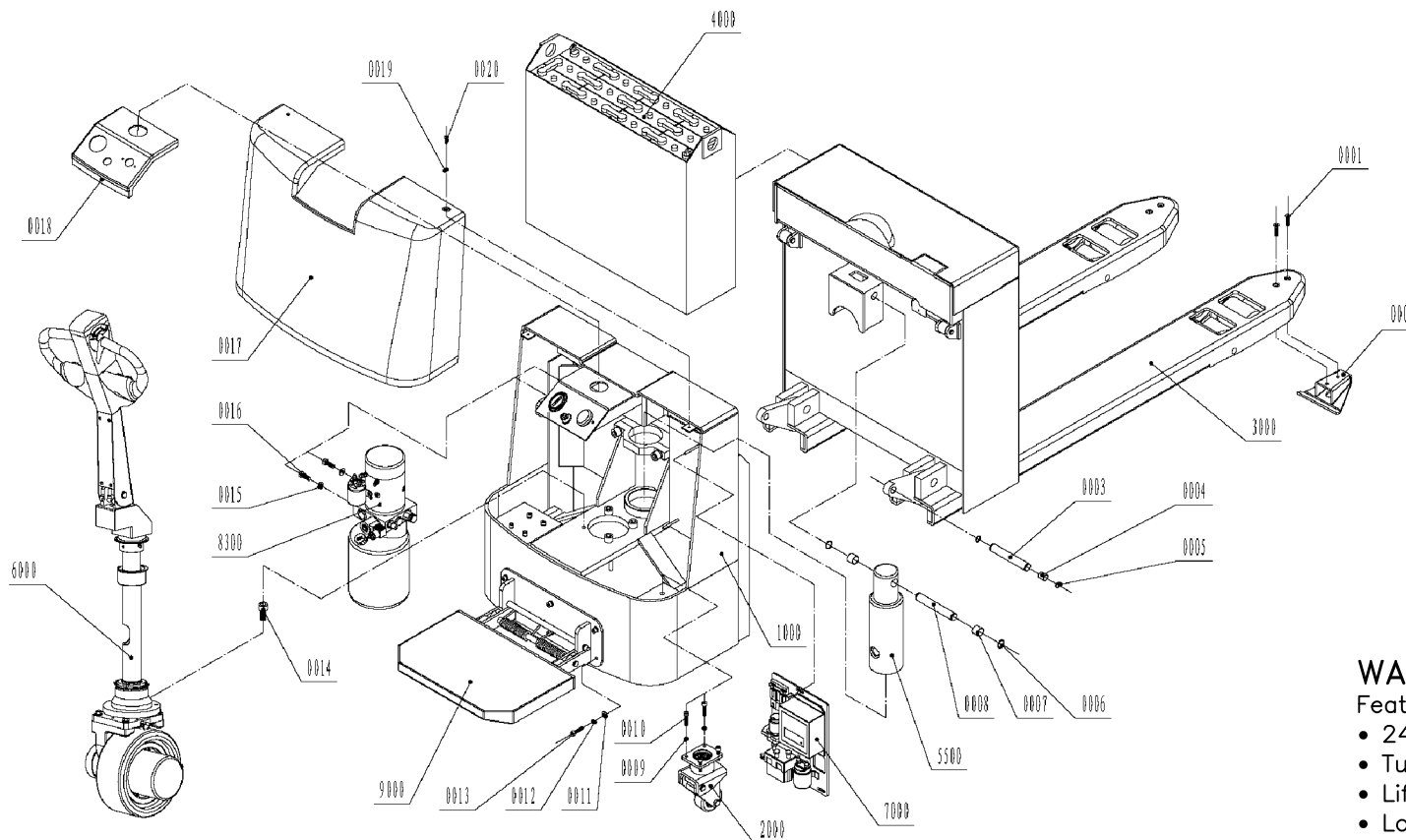
Features

- 1 year warranty: DC motor drive, hydraulic pump, controllers and switches.
- 90 day parts warranty.
- Three 8V/195 Ah batteries.
- Turn radius of 65.5"
- Lift speed under load: 1.36"/sec.
- Lowering speed under load: 1.36"/sec.
- Ergonomic handle with:
 - throttle forward and reverse speeds
 - lift and lower controls
 - horn
 - belly reverse safety button
 - electromagnetic disc brake with automatic dead-man feature when handle is released
- Key operated.
- 10" polyurethane steering and 3" polyurethane load wheels.

THIS DRAWING IS ALL PARTICULARS IS WESCO INDUSTRIAL PRODUCTS INC. PROPERTY. ALL RIGHTS OF DESIGN, INVENTION OR USE OF ARE RESERVED.

WESCO INDUSTRIAL PRODUCTS INC.		PENNA. 19454	
NORTH WALES		RWS 09-12-13	
PART NAME	HEAVY DUTY WALKIE PALLET TRUCK	REVISED	
PART NO.	273382, 170013, 273386, 170014	APP. DATE	
DESCRIPTION	3 PLACE SEAT, 3 PLACE SEAT	SCALE	
DRAWN BY	1 OF 13		
CHECKED BY	1 OF 13		
APPROVED BY	1 OF 13		
DRAW ALL SHIP BONES AND REDUCE ALL BONES		273382/86	

GENERAL ASSEMBLY



REPLACEMENT PARTS LIST

ITEM	PART NO.	DESCRIPTION	QTY
1000		REAR BOX ASSEMBLY	1
2000	274217	BALANCE WHEEL ASSEMBLY	2
3000		FRONT BODY ASSEMBLY	1
4000		BATTERY CONTAINER	1
5500	274219	CYLINDER	1
6000		STEERING SYSTEM	1
7000	274216	CONTROLLER	1
8300	274215	POWER UNIT	1
9000		STAND-ON PLATFORM (OPTION)	1
0001	274279	SCREW M8 X 25	4
0002		CROSS BOARD	2
0003		SHAFT	2
0004		BEARING Ø16	2
0005	274272	SNAP RING Ø16	4
0006		SNAP RING Ø22	4
0007		BEARING Ø22	2
0008		CYLINDER FIX SHAFT (TOP)	1
0009	274344	SPRING WASHER Ø8	8
0010		SCREW M8 X 25	8
0011		FLAT WASHER Ø8	6
0012		SPRING WASHER Ø10	6
0013		SCREW M10 X 25	6
0014		SCREW M10 X 40	1
0015		SPRING WASHER Ø10	2
0016	274277	SCREW M10 X 25	2
0017		MAIN BODY COVER	1
0018		MIDDLE COVER	1
0019	274339	FLAT WASHER Ø6	2
0020		SCREW M6 X 40	2

WALKIE PALLET TRUCK

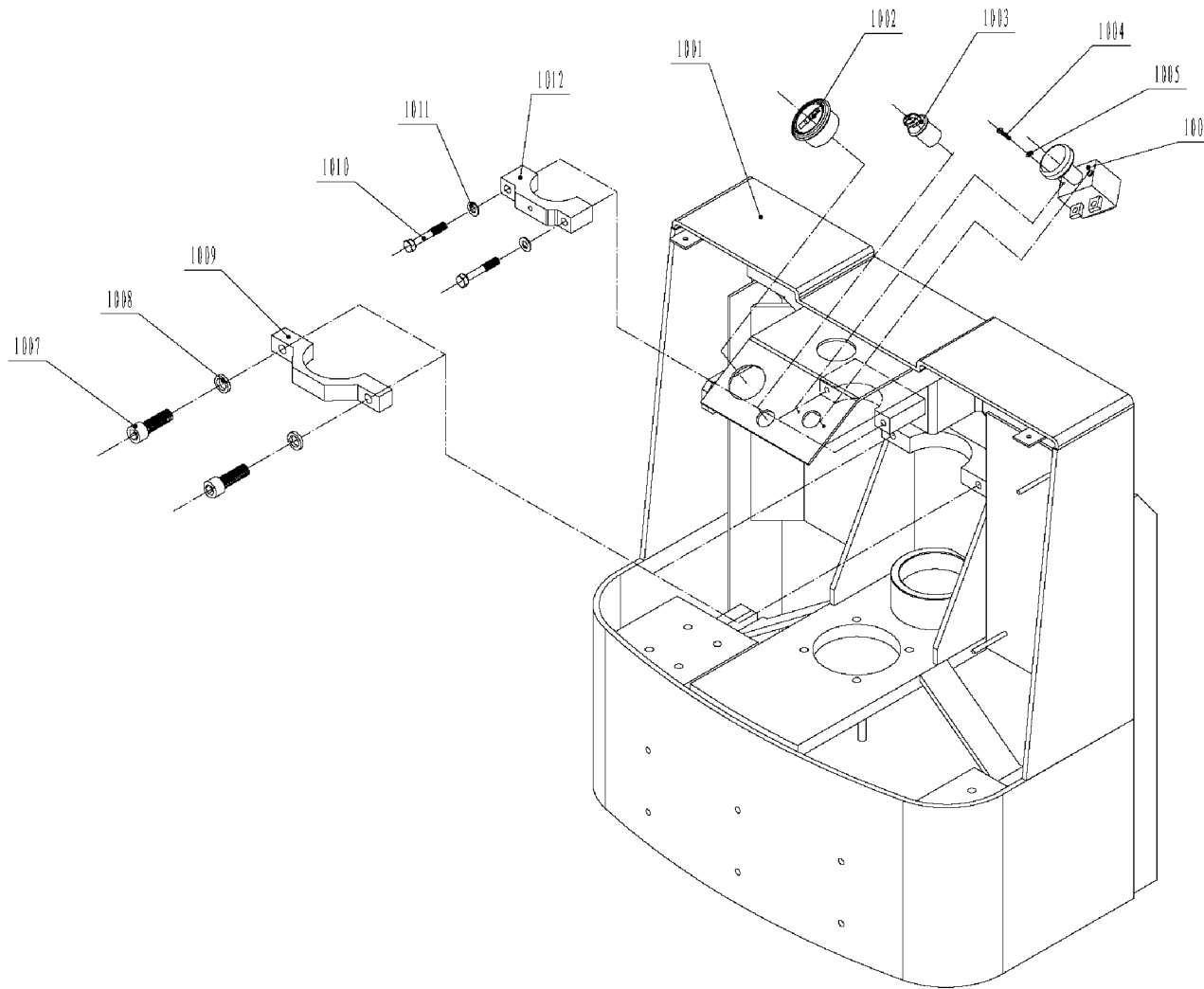
Features

- 24V/195Ah Battery Pack/Charger
- Turn radius of 65.5"
- Lift speed under load: 1.36"/sec.
- Lowering speed under load: 1.36"/sec.

THIS DRAWING IS THE PROPERTY OF WESCO INDUSTRIAL PRODUCTS INC. ALL RIGHTS OF DESIGN, INVENTION OR USE OF ARE RESERVED.

REV DATE	WESCO INDUSTRIAL PRODUCTS INC. NORTH WALES, PENNA. 19454	DATE: RWS 09-12-13
	HEAVY DUTY WALKIE PALLET TRUCK 273382, 170013, 273386, 170014	CHG: 0000
REVISIONS	TOLERANCES UNLESS OTHERWISE SPECIFIED	APP. DIMS:
	FINISHES: 2 PLAIN METAL, 3 PLAIN METAL, 4 POL. METAL, 5 POL. METAL, 6 POL. METAL	SCALE:
	PROJ: 1-1/2" 1 SHEET 2 OF 13	273382/86
	FROM ALL SHOWN DIMS AND TRACES ALL DIMS	

REAR BOX ASSEMBLY



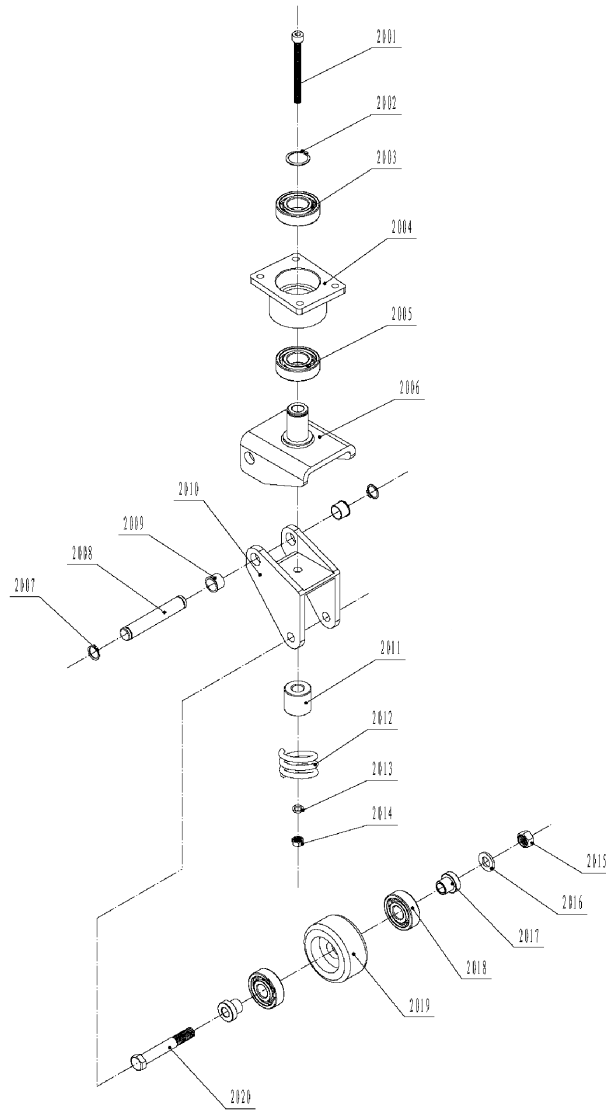
REPLACEMENT PARTS LIST

ITEM	PART NO.	DESCRIPTION	QTY
1001		REAR BOX FRAME	1
1002	274209	BATTERY METER	1
1003	273441	KEY SWITCH	1
1004		SCREW M4 X 25	2
1005		FLAT WASHER Ø4	2
1006	274205	EMERGENCY STOP SWITCH	1
1007		BOLT M12 X 40	2
1008		SPRING WASHER Ø12	2
1009		HOOP	1
1010		BOLT M10 X 40	2
1011		SPRING WASHER Ø10	2
1012		HOOP	2

THIS DRAWING IS AN INSTRUMENTAL DRAWING. ALL RIGHTS OF DESIGN, INVENTION OR USE OF ANY DESIGN ARE RESERVED.

WESCO INDUSTRIAL PRODUCTS INC. NORTH WALES PENNA. 19454		DRAWN: RWS 09-12-13
		CHECKED:
PART NAME: HEAVY DUTY WALKIE PALLET TRUCK		APP. ENGR:
273382, 170013, 273386, 170014		SOLD:
TOLERANCES UNLESS OTHERWISE SPECIFIED		
FINISH:	3 PLACES DENIAL	3 PLACES DENIAL
S. 1/16"	S. 0.005"	S. 0.01"
FINISHES & 1-1/2"	1 SHEET	3 OF 13
DRAW ALL SHARP EDGES AND INDICATE ALL SHARP		273382/86

BALANCE WHEEL



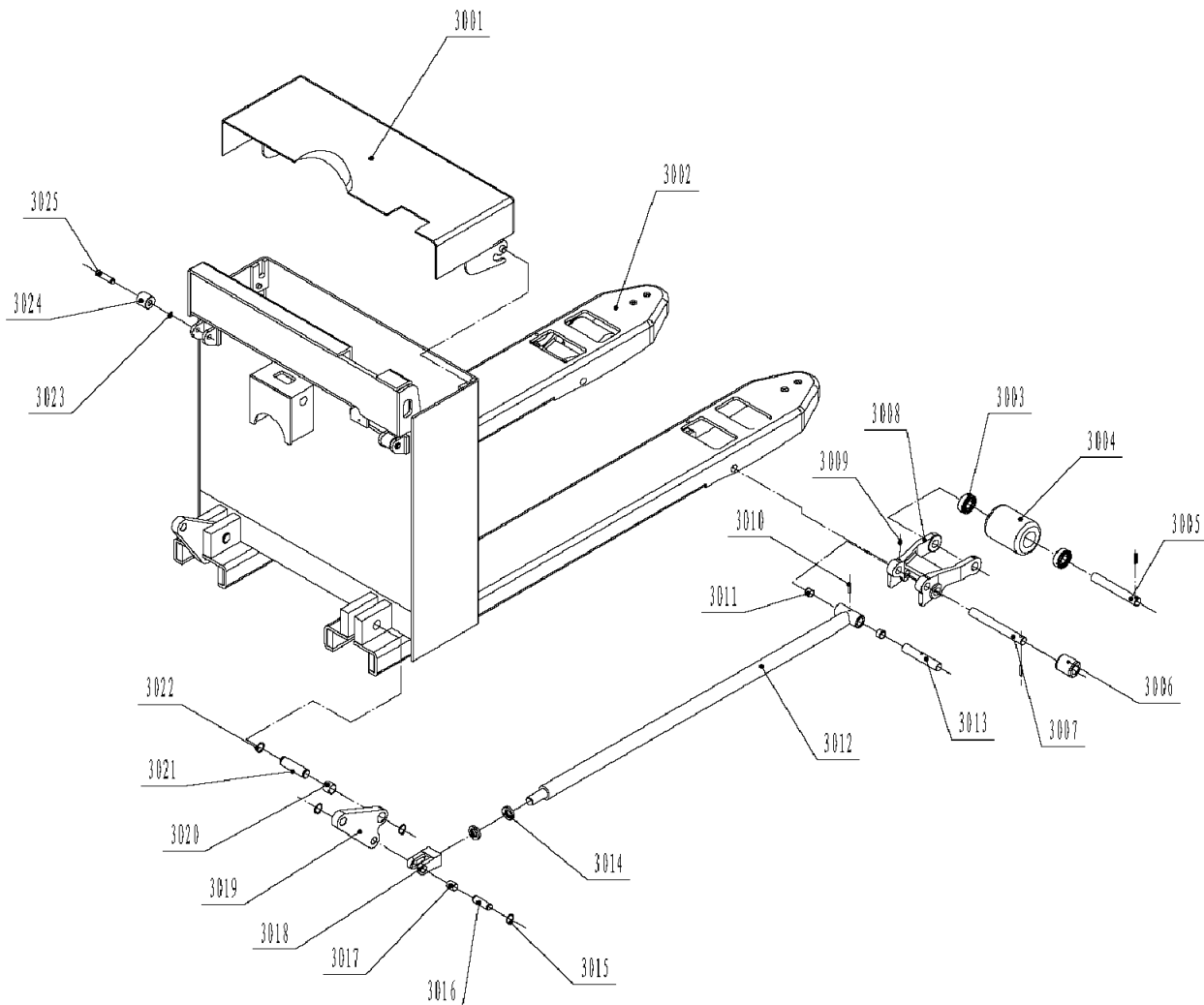
REPLACEMENT PARTS LIST

ITEM	PART NO.	DESCRIPTION	QTY
2001		SCREW M8 X 90	2
2002		SNAP RING Ø25	2
2003	274284	BEARING 6205	2
2004		BEARING HOLDER	2
2005		BEARING 33205	2
2006		HOLDER BASE	2
2007		SNAP RING Ø16	4
2008		SHAFT	2
2009		BEARING Ø16	4
2010		WHEEL FRAME	2
2011		PU ROD	2
2012		SPRING	2
2013		SPRING WASHER Ø8	2
2014		NUT M8	2
2015		NUT M12	2
2016		FLAT WASHER Ø12	2
2017		COVER	4
2018	274307	BEARING 6204	4
2019	274300	BALANCE WHEEL Ø76 X 36	2
2020		BOLT M12 X 40	2

THIS DRAWING IS AN INSTRUMENTAL DRAWING. ALL RIGHTS OF DESIGN, INVENTION OR USE OF ANY RESERVES.

REV. & DATE REVISIONS	WESCO INDUSTRIAL PRODUCTS INC.		PENNA. 19454	
	NORTH WALES		RWS 09-12-13	
	HEAVY DUTY WALKIE PALLET TRUCK		REV. 09-12-13	
	273382, 170013, 273386, 170014		DWG. NO.	
TOLERANCES (UNLESS OTHERWISE SPECIFIED)		WWW.WESCO.COM		
FINISH	5 PLAIN SURF.	5 PLAIN SURF.	SCALE	
1/16"	± .001	± .001		
APPROVAL & DATE	DATE	DATE	273382/86	
APPROVED BY		DATE		DATE

FRONT BODY ASSEMBLY



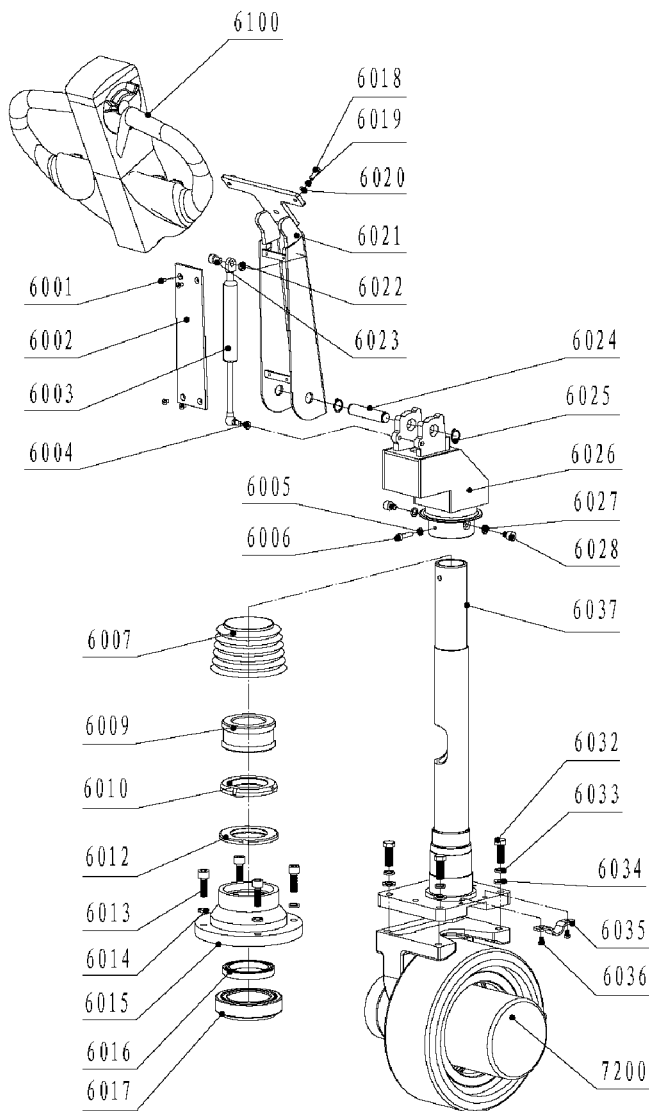
REPLACEMENT PARTS LIST

ITEM	PART NO.	DESCRIPTION	QTY
3001		CONTAINER COVER	1
3002		FORK WELDMENT	1
3003	274307	BEARING 6204	4
3004	FRONT WHEEL KIT	FRONT WHEEL Ø80 X115	2
3005	FRONT WHEEL KIT	WHEEL SHAFT	2
3006		GUIDE WHEEL	2
3007		SHAFT	2
3008		WHEEL FRAME	2
3009		GREASE CUP	2
3010		SPRING PIN Ø6 X 40	6
3011		BEARING Ø16	4
3012		ROD	2
3013		SHAFT	2
3014		NUT M22 X 1.5	4
3015	273428	SNAP RING Ø16	4
3016	273429	SHAFT	2
3017		BEARING Ø16	2
3018		ROD HOLDER	2
3019		CONNECTION BASE	2
3020		BEARING Ø22	2
3021	273430	SHAFT	2
3022	273431	SNAP RING Ø22	2
3023		SNAP RING Ø12	2
3024		IDLER PULLEY	6
3025		IDLER PULLEY SHAFT	1
	274218	KIT: FRONT WHEEL (INCLUDES ITEMS 3003, 3004 & 3005)	1

THIS DRAWING IS THE PROPERTY OF WESCO INDUSTRIAL PRODUCTS INC. ALL RIGHTS OF DESIGN, INVENTION OR USE OF ARE RESERVED.

REV. & DATE	WESCO INDUSTRIAL PRODUCTS INC.		WESCO 19454
	NORTH WALES		PENNA. 19454
	REV. 01	273382, 170013, 273386, 170014	ISSUE RWS 09-12-13
	REV. 02		ISSUE
TOLERANCES UNLESS OTHERWISE SPECIFIED		APP. DIMS.	
FINISHES		SCALE	
DRAWN BY		CHECKED BY	
DATE		DATE	
SHEET 8 OF 13		273382/86	

STEERING SYSTEM



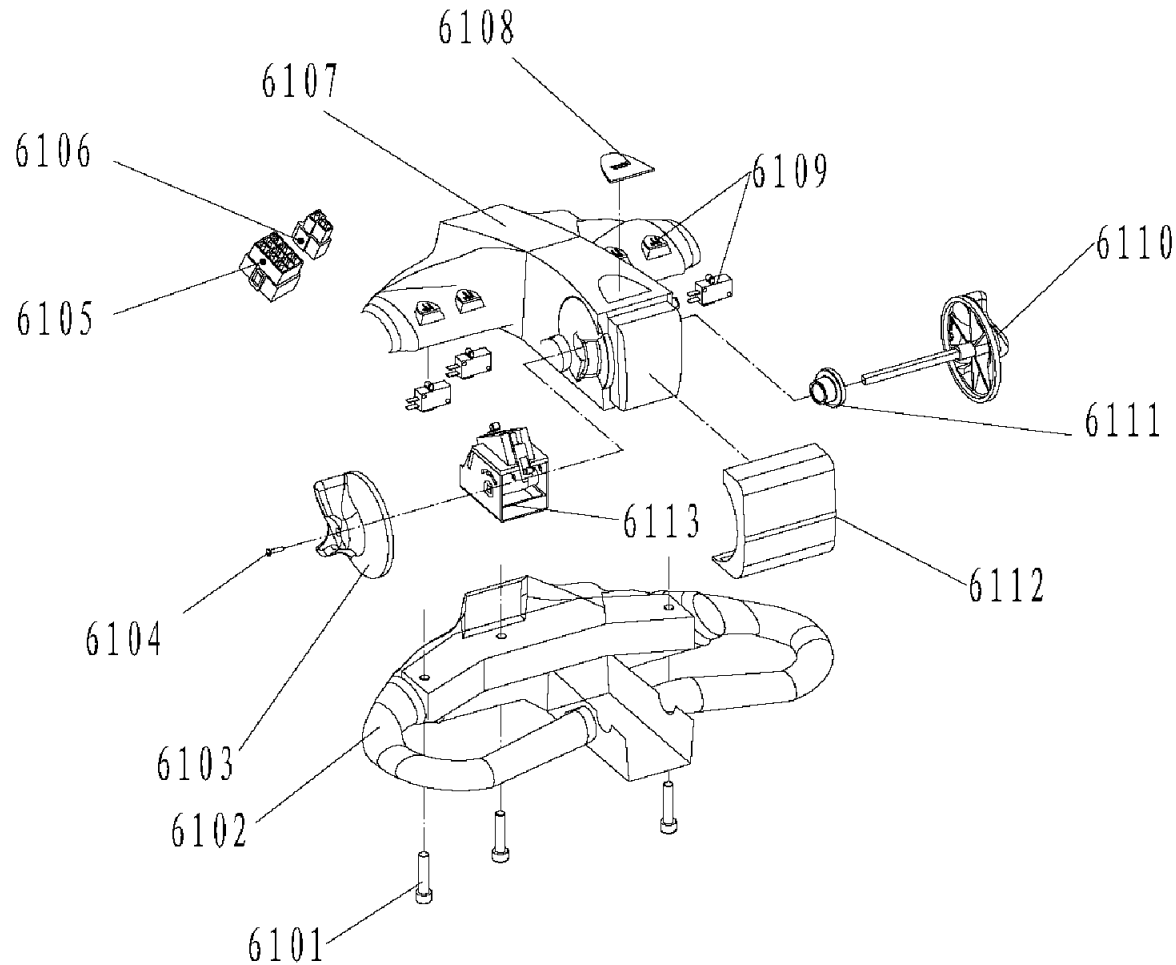
REPLACEMENT PARTS LIST

ITEM	PART NO.	DESCRIPTION	QTY
* 6100	274256	CONTROL HANDLE (OLD STYLE, 2 CONNECTOR)	1
	274245	CONTROL HANDLE (NEW STYLE, 1 CONNECTOR)	1
6001	274322	SCREW M4 X 8	4
6002		COVER	1
6003		PNEUMATIC SPRING	1
6004	274325	NUT M8	1
6005	274263	NUT M6	1
6006		BOLT M6 X 20	1
6007		RUBBER JACKET	1
6009		SLEEVE	1
6010	274330	ROUND NUT M56 X 1.5	1
6012		WASHER	1
6013		BOLT M10 X 30	4
6014	274278	SPRING WASHER 10	4
6015		POSITIONING UNIT	1
6016	274335	BEARING 61812	1
6017	274336	BEARING 33013	1
6018	274337	BOLT M6 X16	2
6019	274262	SPRING WASHER 6	2
6020	274339	FLAT WASHER 6	2
6021		HANDLE CONNECT PIPE	1
6022	274325	NUT M8	1
6023	274341	BOLT M8 X 16	1
6024		CONNECT PIN	1
6025		SNAP RING 16	2
6026		A-HANDLE BASE	1
6027	274344	SPRING WASHER 8	2
6028	274345	SCREW M8 X 10	2
6037		STEERING SHAFT	1
6032	274332	BOLT M10 X 30	4
6033	274278	SPRING WASHER 10	4
6034	274348	FLAT WASHER 10	4
6035	274349	WIRE HOLDER	1
6036		SCREW M6 X 8	2
7200	274206	DRIVE WHEEL (1200W)	1

*FOR OLD STYLE (274256)
HAS TWO WIRE CONNECTORS INSIDE THE HANDLE AND UNIT
SERIAL NUMBER IS "09XXXX".

FOR NEW STYLE (274245)
HAS ONE WIRE CONNECTOR INSIDE THE HANDLE AND UNIT
SERIAL NUMBER IS "10XXXX", "11XXXX", "12XXXX" OR
"13XXXX".

CONTROL HANDLE



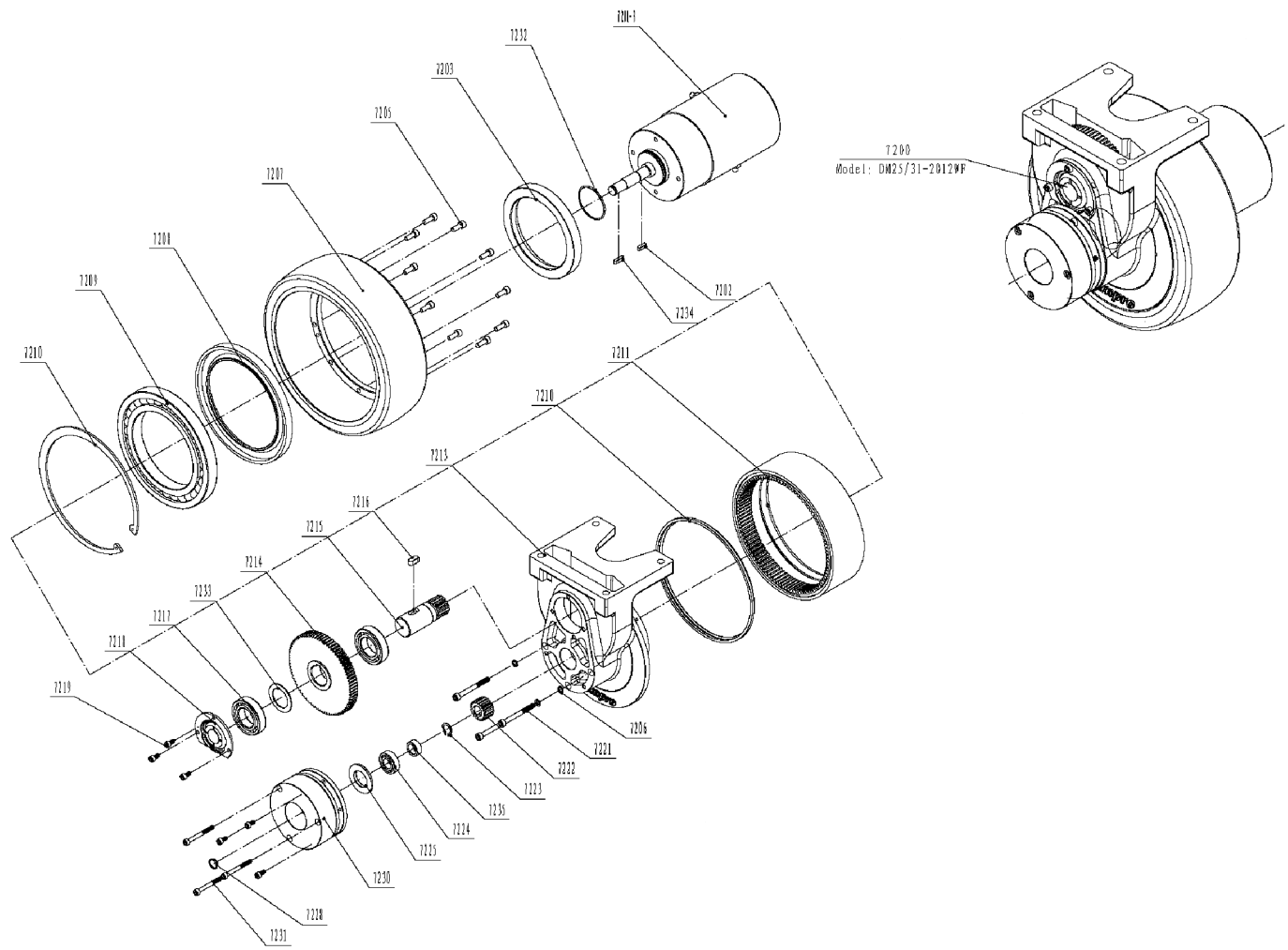
REPLACEMENT PARTS LIST

ITEM	PART NO.	DESCRIPTION	QTY
6101		SCREW M6 X 12	3
6102		BOTTOM COVER	1
6103		BUTTERFLY COVER (LEFT)	1
6104		BOLT M3 X 10	1
6105		PLASTIC CONNECTOR (BIG)	1
6106		PLASTIC CONNECTOR (SMALL)	1
6107		UPPER COVER	1
6108		HORN COVER	1
6109	273437	BUTTON GROUP	4
6110		BUTTERFLY COVER (RIGHT)	1
6111		WASHER	2
6112		EMERGENCY BELLY BUTTON COVER	1
	274467	EMERGENCY BELLY BUTTON SWITCH	1
6113	274208	ELECTRIC THROTTLE F/R SWITCH	1

THIS DRAWING IS THE PROPERTY OF WESCO INDUSTRIAL PRODUCTS INC. ALL RIGHTS OF DESIGN, INVENTION OR USE OF ARE RESERVED.

REV. NO. DATE BY	WESCO INDUSTRIAL PRODUCTS INC.		PENNA. 19454	
	NORTH WALES		PENNA. 19454	
	HEAVY DUTY WALKIE PALLET TRUCK		RWS 09-12-13	
	273382, 170013, 273386, 170014			
TOLERANCES UNLESS OTHERWISE SPECIFIED		APP. DIMS.		
FINISHES: 2 PLAIN METAL, 3 PLAIN METAL, 4 POLY, 5 BRASS & 1-1/2		SCALE:		
DRAWN BY: 1-1/2		CHECKED BY: 13		
FROM ALL SHOWN DIMS AND TRACK ALL DIMS		273382/86		

DRIVE WHEEL ASSEMBLY

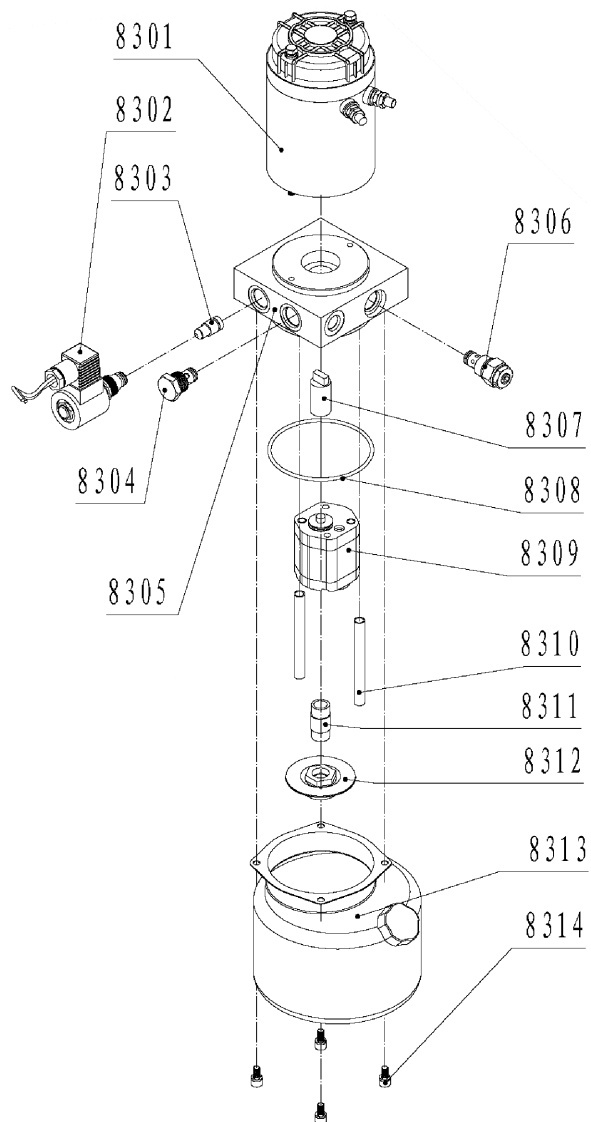
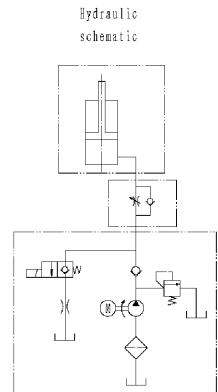


REPLACEMENT PARTS LIST			
ITEM	PART NO.	DESCRIPTION	QTY
7201-3		DC MOTOR (1.2KW DC24V 2500R/MIN)	1
7202	274354	KEY 5 X 16	1
7203	274369	WASHER	1
7205	274368	SCREW M6 X 16	10
7206	274262	SPRING WASHER Ø6	3
7207	274212	PU DRIVE WHEEL Ø250 X 80	1
7208	274367	SEAL Ø138 X Ø180 X 12	1
7209	274366	BEARING 16024	1
7210	274365	O-RING Ø185	1
7211	274356	GEAR	1
7212	274357	SEAL	1
7213		GEAR BOX	1
7214	274360	GEAR	1
7215	274359	GEAR AXLE	1
7216	274358	KEY 8 X 18	1
7217	274362	BEARING 6006	2
7218	274363	BEARING COVER	1
7219	274275	SCREW M5 X 10	6
7221	274352	SCREW M6 X 60	3
7222	274351	GEAR	1
7223	274378	SPRING WASHER Ø15	1
7224	274376	BEARING 6002-2LS/P6	1
7225	274375	RING	1
7228	274373	SNAP RING Ø14	1
7230	274374	COMPLETE BRAKE ASSEMBLY	1
7231	274372	SCREW M5 X 50	3
7232	274370	O SEAL 48.7 X 1.8	1
7233	274361	O-RING	1
7234	274355	KEY 5 X 18	1
7235	274377	SPRING WASHER Ø15	1

THIS DRAWING IS THE PROPERTY OF WESCO INDUSTRIAL PRODUCTS INC. ALL RIGHTS OF DESIGN, INVENTION OR USE OF ARE RESERVED.

REV. NO.	1	WESCO INDUSTRIAL PRODUCTS INC.	
	2	NORTH WALKER	PENNA. 19454
	3	HEAVY DUTY WALKIE PALLET TRUCK	09-12-13
	4	273382, 170013, 273386, 170014	
5	TOLERANCE UNLESS OTHERWISE SPECIFIED	SCALE	
6	1/16" ± 0.005	1/8" ± 0.005	
7	1/32" ± 0.002	1/16" ± 0.002	
8	1/64" ± 0.001	1/32" ± 0.001	
9	1/128" ± 0.0005	1/64" ± 0.0005	
10	1/256" ± 0.0002	1/128" ± 0.0002	
273382/86			

POWER UNIT



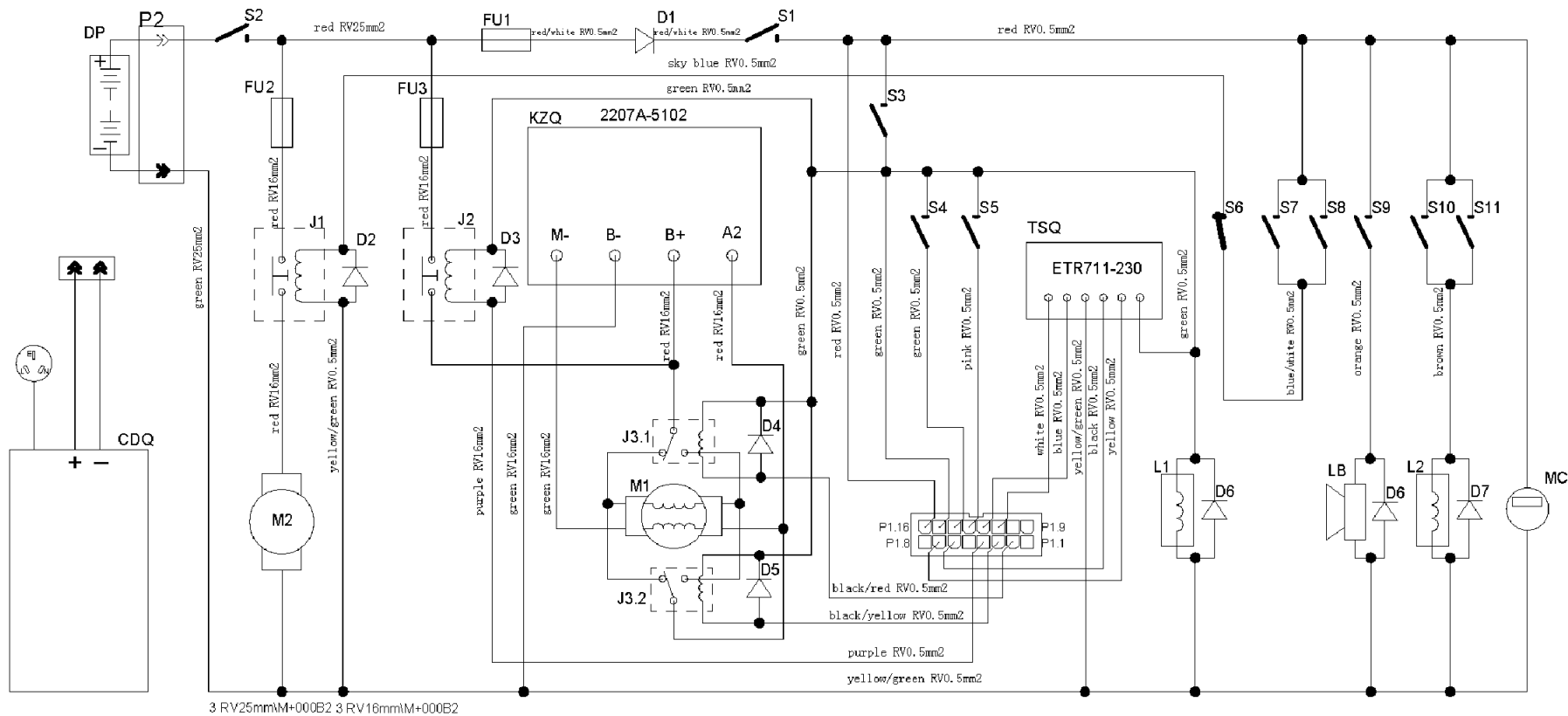
REPLACEMENT PARTS LIST

ITEM	PART NO.	DESCRIPTION	QTY
8301		MOTOR DC24V/200W	1
8302	274211	SOLENOID VALVE	1
8303		FLOW CONTROL VALVE	1
8304		CHECK VALVE	1
8305		CENTER BLOCK 127	1
8306		RELIEF VALVE	1
8307		CONNECT SHAFT	1
8308		O-RING 110 X 5.3	1
8309		GEAR PUMP 1.6ML/R	1
8310		RETURN PIPE	2
8311		SUCTION PIPE	1
8312		FILTER	1
8313		TANK	1
8314	274368	SCREW M6 X 16	4

THIS DRAWING IS AN INSTRUMENTAL DRAWING OF WESCO INDUSTRIAL PRODUCTS INC. PROPERTY. ALL RIGHTS OF DESIGN, INVENTION OR USE OF NAME RESERVED.

DATE & ISSUE REVISIONS	WESCO INDUSTRIAL PRODUCTS INC. NORTH WALES PENNA. 19454	
	PART NAME HEAVY DUTY WALKIE PALLET TRUCK 273382, 170013, 273386, 170014	DRAWING NO. RWS 09-12-13
	TOLERANCES UNLESS OTHERWISE SPECIFIED FINISHES: 3 PLAIN SURF. 3 PLAIN SURF. 4 V/IN 4 .001 5 .01	APP. DATA SCALE
	SHEET NO. 10 OF 13 PRINT ALL DIMENSIONS AND FINISHES ALL DIMS.	PART NO. 273382/86

ELECTRICAL SCHEMATIC DIAGRAM



THIS DRAWING IS A PROPERTY OF WESCO INDUSTRIAL PRODUCTS INC. ALL RIGHTS OF DESIGN, INVENTION OR USE OF ARE RESERVED.

WESCO INDUSTRIAL PRODUCTS INC.		PENNA. 19454	
NORTH WALES		PENNA. 19454	
REV. NAME	DATE	REV. NAME	DATE
HEAVY DUTY WALKIE PALLET TRUCK		RWS 09-12-13	
273382, 170013, 273386, 170014		CHGREN	
TOLERANCES UNLESS OTHERWISE SPECIFIED		APP. DIMS.	
FINISH	3 PLAIN DIMS.	3 PLAIN DIMS.	SCALE
3.150	0.000	0.000	
ANALOG & 1-1/2"	1 SHEET	11 OF 13	273382/86
FROM ALL SHOWN DIMS AND TRACK ALL DIMS			

ELECTRICAL SCHEMATIC & ELECTRIC WIRING DIAGRAM PARTS LIST

REPLACEMENT PARTS LIST			
ITEM	PART NO.	DESCRIPTION	QTY
7001	109162	BATTERY	1
7002	274216	CONTROLLER	1
7201-3		DRIVE MOTOR	1
8301		HYDRAULIC MOTOR	1
7003		START SWITCH	1
7004		MAIN CONTACTOR	1
7005		F/R CONTACTOR	1
7006	274457	FUSE 10AH (CONTROL CIRCUIT)	1
7007	274458	FUSE 150A (HYDRAULIC CIRCUIT)	1
7008	274459	FUSE 125A (DRIVE CIRCUIT)	1
7230	274374	COMPLETE BRAKE ASSEMBLY	1
8302	274211	SOLENOID VALVE	1
7009		HORN	1
1002	274209	BATTERY METER	1
6113	274208	THROTTLE	1
7010		DIODE	1
7011		DIODE	7
7012		CHARGER	1
1003	273441	KEY SWITCH	1
1006	274205	EMERGENCY-STOP SWITCH	1
7013		BRAKE MICRO SWITCH	1
7014		THROTTLE SWITCH	1
7015	274467	EMERGENCY BELLY BUTTON SWITCH	1
7016		LIFT LIMIT SWITCH	1
7017		LIFT SWITCH	2
7018		HORN SWITCH	1
7019		LOWER SWITCH	2
7020		BATTERY CONNECTOR	2
7021		WIRE	
7022		WIRE	

THIS DRAWING IS THE PROPERTY OF WESCO INDUSTRIAL PRODUCTS INC. ALL RIGHTS OF DESIGN, INVENTION OR USE OF ANY PATENT ARE RESERVED.

REV. NO. DATE REVISIONS	WESCO INDUSTRIAL PRODUCTS INC.			DRWG. NO. RWS 09-12-13
	NORTH WALES PENNA. 19454			DATE
	PART NAME HEAVY DUTY WALKIE PALLET TRUCK			CHECKED
	273382, 170013, 273386, 170014			APPR. ENGR.
TOLERANCE UNLESS OTHERWISE SPECIFIED				SCALE
FRACTION		3 PLACE DECIMAL	3 PLACE DECIMAL	
± 1/16"		± .005"	± .01"	
ANGULAR ± 1°-1/2'		SHEET 13 OF 13		273382/86
DRAWN BY: []				DATE: []