

REPLACEMENT PARTS LIST

KIT	ITEM	PART NO.	DESCRIPTION	QTY
	101M	273274	HANDLE GRIP	1
A	102		CONTROL HANDLE	1
A	103		ELASTIC PIN	1
A	104		NUT	1
A	105		BOLT WITH HOLE	1
A	106		JACKET	1
A	107		PULL ROD	1
D	108		BOLT	8
D	109		WASHER	16
A, D	110M		BIG WASHER	2
A, D	111M		ELASTIC WASHER	2
A, D	112M		BOLT	2
D	113		ELASTIC WASHER	8
D	114		NUT	8
	118	273263	UNIVERSAL WHEEL	2
	119W		FRAME	1
E	120		PIN	2
E	121		WASHER	4
E	122		AXLE	2
E	123		BEARING	4
	124	273262	WHEEL	2
E	125		RETAINING RING	2
	126W	273264	PUMP UNIT	1
	127		PIN	1
B	128		WASHER	1
B	129		RETAINING RING	2
B	130D		PIN	1
B	131		WASHER	2
B	132		RETAINING RING	2
B	133D		CONNECTING ROD	1

REPLACEMENT PARTS LIST

KIT	ITEM	PART NO.	DESCRIPTION	QTY
B	134		CUSHION	1
B	135		BOLT	1
B	136		WASHER	1
B	137		ELASTIC WASHER	1
B	138		NUT	1
B	139		PROTECTING COVER	1
B	140		PEDAL BAR	1
	141W		TABLE	1
C	142		RETAINING RING	2
C	143		ROLLER	2
C	144		RETAINING RING	4
C	145		ROLLER	2
C	146		WASHER	2
	147		PIN	2
	148		BUSHING	2
	149		PIN	1
	150		RETAINING RING	2
	151W		FORK ARM	1
	152		BUSHING	2
D	153		PIN	2
D	154		RETAINING RING	2
	157		SUPPORT PLANK	2
D	158		SCREW	2
D	159		NUT	2
	160		OIL HOLDER	2
	161		SHAFT	2
	162		BUSHING	4
	163		WASHER	2
	164		WASHER	2
	165		NUT	2

PART KITS OFFERED

A	273275	KIT: CONTROL HANDLE (KIT INCLUDES ITEMS 102, 103, 104, 105, 106, 107, 110M, 111M & 112M)	1
B	273276	KIT: PEDAL BAR (KIT INCLUDES ITEMS 128, 129, 130D, 131, 132, 133D, 134, 135, 136, 137, 138, 139 & 140)	1
C	273277	KIT: ROLLER (KIT INCLUDES ITEMS 142, 143, 144, 145 & 146)	1
D	273278	KIT: HARDWARE (KIT INCLUDES ITEMS 108, 109, 110M, 111M, 112M, 113, 114, 153, 154, 158 & 159)	1
E	273280	KIT: FRONT WHEEL HARDWARE (KIT INCLUDES ITEMS 120, 121, 122, 123 & 125)	2

SCISSOR LIFT TABLES

P/N 273261

- Oversized 63" long by 32" wide table top accommodates large cargo.
- Two locking swivel casters: 5" x 1-1/2" moldon polyurethane.
- Two 5" x 1-1/2" moldon polyurethane casters.
- Hydraulic foot pump.
- Safety bars.

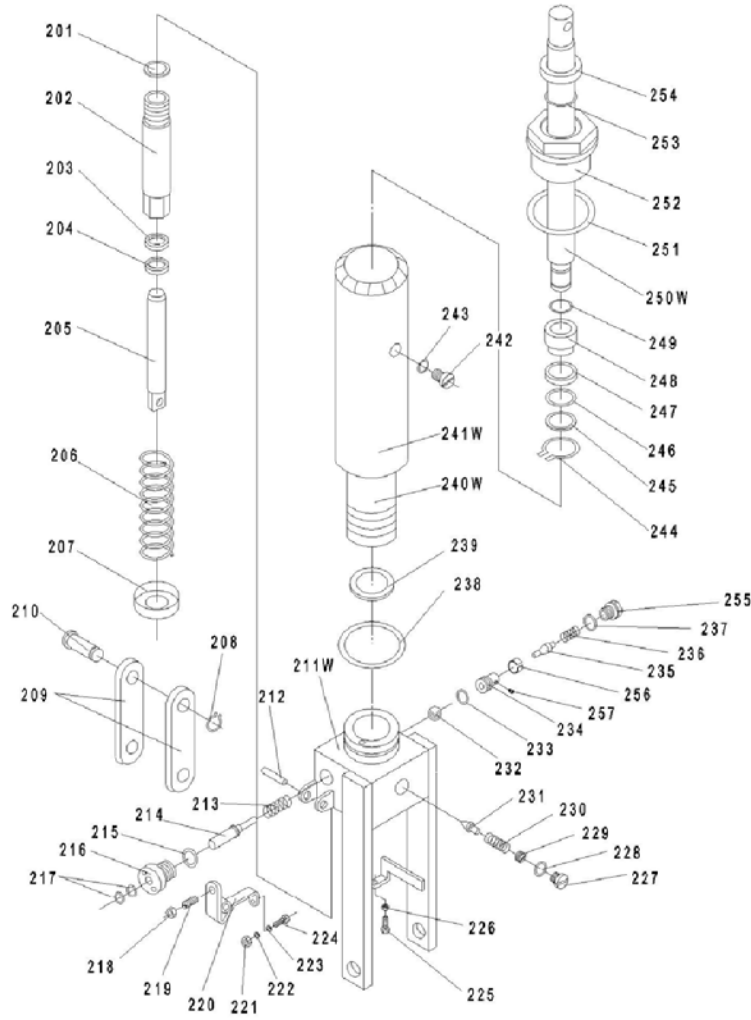
Model: LDT-3263
 Weight: 340 lbs
 Table Size: 32" x 63"
 Lowered Height: 11.25"
 Raised Height: 36"
 Capacity: 1100 lbs
 Overall Height: 38"
 Depth: 74.25"
 Width: 32"

PRINT ISSUED

JULY 25, 2014

WESCO MANUFACTURING
ENGINEERING DEPARTMENT

REV.	REC.	EON & DATE	APP.	WESCO INDUSTRIAL PRODUCTS INC.		
				NORTH WALES PENNA. 19454		
				PART NAME		DRAWN:
				DRT-2033		CHECKED:
				SCISSOR LIFT TABLE		APP. ENGR.
TOLERANCE UNLESS OTHERWISE SPECIFIED		SCALE:				
FRACTION 3 PLACE DECIMAL 2 PLACE DECIMAL						
± 1/64 ± .005 ± .01						
ANGULAR ± 1-1/2" SHEET 1 OF 2						
BREAK ALL SHARP EDGES AND REMOVE ALL BURRS						
			D-273261			



REPLACEMENT PARTS LIST			
ITEM	PART NO.	DESCRIPTION	QTY
201		SEAL WASHER	1
202		PUMP CYLINDER	1
203		Y-SEAL	1
204		DUST RING	1
205		PUMP PISTON	1
206		SPRING	1
207		SPRING CAP	1
208		RETAINING RING	1
209		JOINT PLATE	2
210		PIN	1
211		PUMP BODY	1
212		ELASTIC PIN	1
213		SPRING	1
214		STRIKE PIN	1
215		SEAL WASHER	1
216		AXLE SLEEVE	1
217		O-RING	2
218		NUT	1
219		SCREW	1
220		LEVER PLATE	1
221		NUT	1
222		ELASTIC WASHER	1
223		WASHER	1
224		BOLT WITH HOLE	1
225		BOLT WITH HOLE	1
226		NUT	1
227		PLUG	1
228		O-RING	1
229		ADJUSTING BOLT	1

REPLACEMENT PARTS LIST			
ITEM	PART NO.	DESCRIPTION	QTY
230		SPRING	1
231		SPINDLE OF SAFETY VALVE	1
232		STEEL BALL	1
233		O-RING	1
234		SEAT OF PUMPING VALVE	1
235		SPINDLE OF PUMPING VALVE	1
236		SPRING	1
237		SEAL WASHER	1
238		O-RING	1
239		SEAL WASHER	1
240		CYLINDER	1
241		HOUSING	1
242		BOLT	1
243		SEAL WASHER	1
244		RETAINING RING	1
245		WASHER	1
246		O-RING	1
247		CUP PACKING	1
248		PISTON	1
249		O-RING	1
250		PISTON ROD	1
251		SEAL WASHER	1
252		CYLINDER CAP	1
253		O-RING	1
254		DUST RING	1
255		PLUG	1
256		LIQUID THROTTLE SHEATH	1
257		BOLT	1

PRINT ISSUED

JULY 25, 2014

WESCO MANUFACTURING
ENGINEERING DEPARTMENT

APP	WESCO INDUSTRIAL PRODUCTS INC.		NORTH WALES		PENNA. 19454	
	PART NAME		DRT-2033		DRAWN:	
EOM & DATE	SCISSOR LIFT TABLE		TOLERANCE UNLESS OTHERWISE SPECIFIED		CHECKED:	
	FRACTION		3 PLACE DECIMAL		APP. ENGR.	
REV.	± 1/64		± .005		SCALE:	
	ANGULAR ± 1-1/2'		SHEET 2 OF 2		D-273261	
BREAK ALL SHARP EDGES AND REMOVE ALL BURRS						