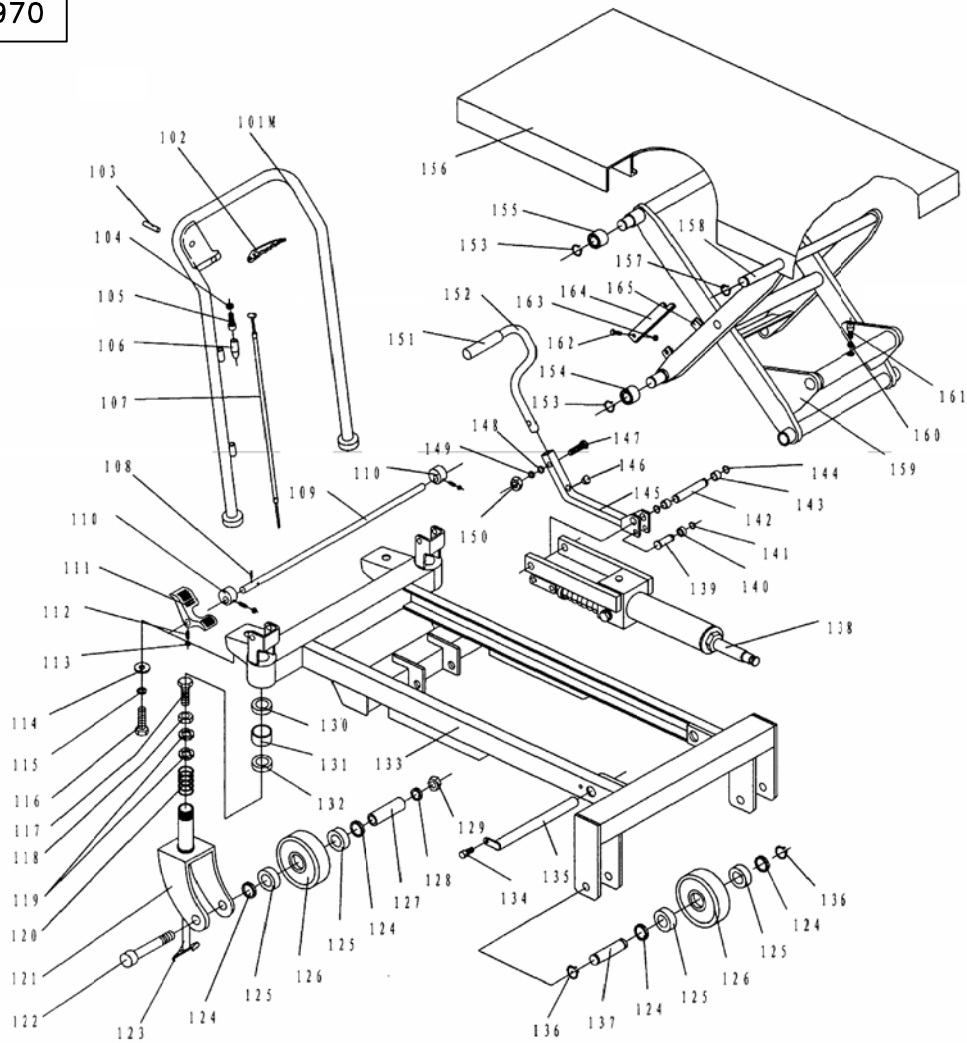


272970



REPLACEMENT PARTS LIST			
ITEM	PART NO.	DESCRIPTION	QTY.
101M	260261	HANDLE GRIP	1
102		CONTROL HANDLE	1
103	KIT: HANDLE RELEASE ASSEMBLY	ELASTIC PIN	1
104		NUT	1
105		BOLT WITH HOLE	1
106	260253	JACKET	1
107		PULL LINE	1
108		ELASTIC PIN	1
109		SHAFT	1
110		CAM	2
111		PEDAL	1
112		SCREW	3
113		NUT	3
114	260262	BIG WASHER	2
115	260263	ELASTIC WASHER	2
116	260264	BOLT	2
117		BOLT	2
118		NUT	2
119		ROUND NUT	4
120		SPRING	2
121	KIT: CASTER ASSEMBLY 260256	SEAT OF WHEEL	2
122		BOLT	2
123		BRAKE	2
124		WASHER	4
125		BEARING	8
126		WHEEL	4
127		AXLE	2
128		ELASTIC WASHER	2
129		NUT	2
130		BEARING	2
131	WASHER	2	
132	BEARING	2	
133		FRAME	1

REPLACEMENT PARTS LIST			
ITEM	PART NO.	DESCRIPTION	QTY.
134		BOLT	1
135		SHAFT	1
136		RETAINING RING	4
137		AXLE OF WHEEL	2
138		PUMP UNIT	1
139	260265	PIN	1
140	260266	ROLLER	1
141	260267	RETAINING RING	1
142		PIN	1
143		WASHER	2
144		RETAINING RING	2
145	260268	CONNECTING ROD	1
146		CUSHION	1
147		BOLT	1
148		WASHER	1
149		ELASTIC WASHER	1
150		NUT	1
151		PROTECTING NUT	1
152		PEDAL BAR	1
153		RETAINING RING	4
154		ROLLER	2
155		ROLLER	2
156		TABLE	1
157		RETAINING RING	2
158		SHAFT	2
159		FORK ARM	1
160		ELASTIC WASHER	1
161		SCREW	1
162		SCREW	2
163		NUT	2
164		SUPPORT PLANK	2
165		ELASTIC PIN	2

REPLACEMENT KITS LIST

	260253	HANDLE RELEASE ASSEMBLY (INCLUDES ITEMS 102-107)	1
	260256	CASTER ASSEMBLY (INCLUDES ITEMS 121-129)	2
	260257	WHEEL ASSEMBLY (INCLUDES 2 OF ITEM 125 & 1 OF ITEM 126)	2

PRINT ISSUED

DEC 1, 2006

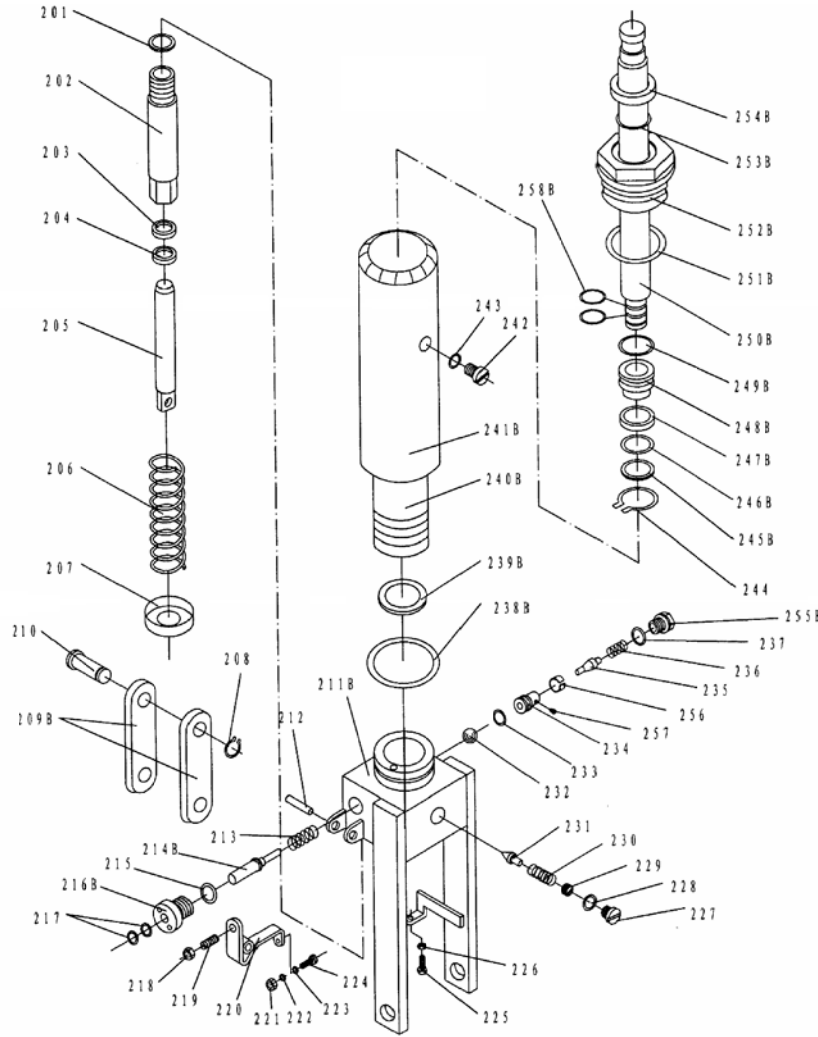
WESCO MANUFACTURING
ENGINEERING DEPARTMENT

REV. APP. EDCN & DATE REVISIONS

WESCO INDUSTRIAL PRODUCTS INC.
NORTH WALES PENNA. 19454

PART NAME		LT-1650SL		DRAWN:	
		SCISSOR LIFT TABLE		CHECKED:	
TOLERANCE UNLESS OTHERWISE SPECIFIED					
FRACTION		3 PLACE DECIMAL		2 PLACE DECIMAL	
± 1/64		± .005		± .01	
ANGULAR ± 1-1/2'		SHEET 1 OF 2		SCALE:	
BREAK ALL SHARP EDGES AND REMOVE ALL BURRS				D-272970	

272970



REPLACEMENT PARTS LIST			
ITEM	PART NO.	DESCRIPTION	QTY.
201		SEAL WASHER	1
202		PUMP CYLINDER	1
203		DUST RING	1
204		Y-SEAL	1
205		PUMP PISTON	1
206		SPRING	1
207		SPRING CAP	1
208		RETAINING RING	1
209B		JOINT PLATE	2
210		PIN	1
211B		PUMP BODY	1
212		ELASTIC PIN	1
213		SPRING	1
214B		STRIKE PIN	1
215		SEAL WASHER	1
216B		AXLE SLEEVE	1
217		O-RING	2
218		NUT	1
219		SCREW	1
220		LEVER PLATE	1
221		NUT	1
222		ELASTIC WASHER	1
223		WASHER	1
224		BOLT WITH HOLE	1
225		BOLT WITH HOLE	1
226		NUT	1
227		PLUG	1
228		O-RING	1

REPLACEMENT PARTS LIST			
ITEM	PART NO.	DESCRIPTION	QTY.
229		ADJUSTING BOLT	1
230		SPRING	1
231		SPINDLE OF SAFETY VALVE	1
232		STEEL BALL	1
233		O-RING	1
234		SEAT OF PUMPING VALVE	1
235		SPINDLE OF PUMPING VALVE	1
236		SPRING	1
237		SEAL WASHER	1
238B		O-RING	1
239B		SEAL WASHER	1
240B		CYLINDER	1
241B		HOUSING	1
242		BOLT	1
243		SEAL WASHER	1
244		RETAINING RING	1
245B		WASHER	1
246B		O-RING	1
247B		CUP PACKING	1
248B		PISTON	1
249B		O-RING	1
250B		PISTON ROD	1
251B		O-RING	1
252B		CYLINDER CAP	1
253B		O-RING	1
254B		DUST RING	1
255B		O-RING	2
256B		PLUG	1

HEAVY DUTY SCISSOR LIFT TABLES

- Chrome plated handle and foot pedal.
- Fixed, lever release handle.
- 5" x 2" moldon polyurethane wheels with locking swivel casters.
- Foot operated pump.

P/N 272970

Model: LT-1650SL
 Capacity: 1,650 lbs
 Raised Height: 35.5"
 Lowered Height: 16.5"
 Weight: 275 lbs
 Table Size: 20" x 39"
 Table Thickness: .1"
 Overall Height: 39.5"
 Overall Depth: 49"
 Overall Width: 20"

PRINT ISSUED

DEC 1, 2006

WESCO MANUFACTURING
 ENGINEERING DEPARTMENT

REV. APP. ECH & DATE REVISIONS

WESCO INDUSTRIAL PRODUCTS INC.
 NORTH WALES PENNA. 19454

PART NAME LT-1650SL SCISSOR LIFT TABLE		DRAWN:
TOLERANCE UNLESS OTHERWISE SPECIFIED		CHECKED:
FRACTION	3 PLACE DECIMAL	2 PLACE DECIMAL
± 1/64	± .005	± .01
ANGULAR ± 1-1/2'	SHEET 2 OF 2	SCALE:
BREAK ALL SHARP EDGES AND REMOVE ALL BURRS		D-272970