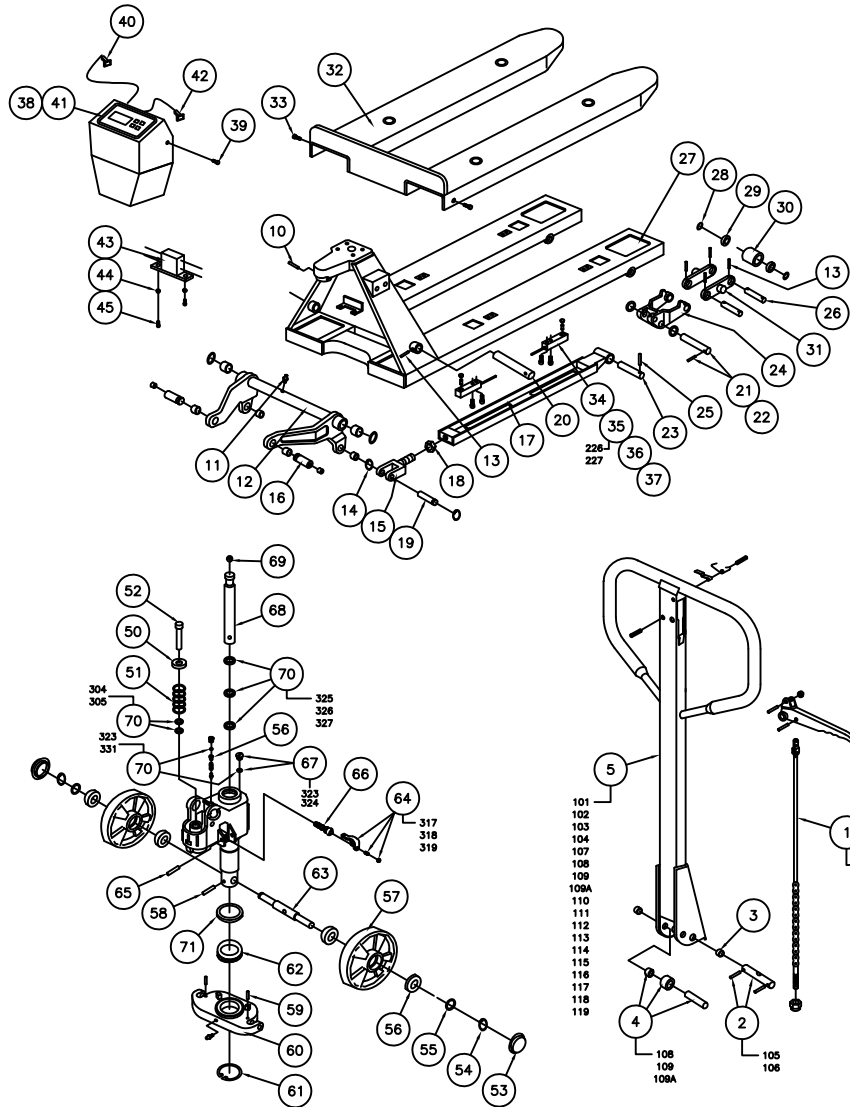


NEW DISPLAY EFFECTIVE MAY 2007

*See Page 3 for different charging plug details



P/N 272938

Wheel: Polyurethane
 Fork: 22" x 47.5"
 Weight: 307 lbs
 Capacity: 5,500 lbs

Lowered fork height: 2.9"
 Raised fork height: 8"

38	270395	247-7	DISPLAY UNIT	1
39	272850	247-8	BOLT	2
40	272851	247-9	CHARGING PLUG FOR IND221	1
	273167		CHARGING PLUG FOR IND231	1
	272849		BATTERY (FOR UNITS AFTER 05/2007)	1
41	270793	247-10	BATTERY: RECHARGEABLE (FOR UNITS AFTER 03/2015)	1
	272852	247-11	PLUG	1
43	270210	246B	BOX OF CABLE	1
44	270212	245B	NUT	2
45	270215	244B	BOLT	2
46			NOT USED	
JACK PARTS LIST				
50	270032	301	SPRING CAB	1
51	270033	302	SPRING	1
52	270035	303	PUMP PISTON	1
53	272665	306	DUST COVER (YELLOW)	2
	272793		DUST COVER (BLACK)	2
54	270036	307	SPRING WASHER	2
55	270037	308	WASHER	2
56	272325	309	BEARING	4
57	272663	310	POLY STEERING WHEEL	2
58	270038	311	ELASTIC PIN	1
59	270041	312	ELASTIC PIN	2
60	270043	313	THRUST PLATE	1
61	270044	314	RETAINING RING	1
62	272100	315	THRUST PLATE	1
63	270045	316	SHAFT	1
64	270050		KIT: LEVER PLATE	1
		317	NUT	1
		318	SCREW	1
		319	LEVER PLATE	1
65	270053	320	ELASTIC PIN	1
66	272664	321	VALVE CARTRIDGE	1
67	270057		KIT: SCREW/WASHER	1
		323	SEAL WASHER	1
		324	SCREW PLUG	1
68	270058	328	PISTON ROD	1
69	270059	329	STEEL BALL	1
70	270061		KIT: SEAL	1
		304	DUST RING	1
		305	SEAL	1
		323	SEAL WASHER	1
		325	SEAL	1
		326	O-RING	1
		327	DUST RING	1
		331	O-RING	1
56	272661		REPLACEMENT PUMP	1
71	276011	337	BEARING COVER	1

HANDLE PARTS LIST (Type "A")

1	270060		ASS'Y: HANDLE RELEASE	1
		101	RELEASE ROD	1
		102	CHAIN	1
		103	ADJUSTING BOLT	1
		104	ADJUSTING NUT	1
2	270004		KIT: AXLE/PIN	1
		105	AXLE WITH HOLE	1
		106	ELASTIC PIN	2
3	273008	107	BUSHING	2
4	270005		KIT: PRESSURE ROLLER	1
		108	ROLLER PIN	1
		109	PRESSURE ROLLER	1
		109A	BUSHING	1
5	270007		KIT: HANDLE ASSEMBLY	1
		101	RELEASE ROD	1
		102	CHAIN	1
		103	ADJUSTING BOLT	1
		104	ADJUSTING NUT	1
	273008	107	BUSHING	2
		108	ROLLER PIN	1
		109	PRESSURE ROLLER	1
		109A	BUSHING	1
		110	DRAW BAR	1
		111	STOP RUBBER	1
		112	ELASTIC PIN	1
		113	BLADE SPRING	1
		114	SPRING	1
		115	ELASTIC PIN	1
		116	ELASTIC PIN	1
		117	CONTROL HANDLE	1
		118	ROLLER	1
		119	ELASTIC PIN	1
6	272791		KIT: CONTROL HANDLE	1
		117	CONTROL HANDLE	1
		118	ROLLER	1
		119	ELASTIC PIN	1

FORK FRAME PARTS LIST

10	270151	202	ELASTIC PIN	1
11	270159	237	QIL-HOLDER	1
12	270160	203B	ROCK-ARM	1
13	270164	230	ELASTIC PIN	9
14	270172	208	RETAINING RING	4
15	270174	209B	JOINT	2
16	270178	205	SHAFT	2
17	270179	212B	PUSHING ROD	2
18	270180	211B	NUT	2
19	270181	210B	PIN	2
20	270182	214B	LONG SHAFT	1
21	270183	221B	SHAFT	2
22	270184	220	ELASTIC PIN	2
23	270185	216B	SHAFT	2
24	270186	222B	FRAME OF ROLLER	2
25	270187	219	ELASTIC PIN	2
26	270189	223	SHAFT OF ROLLER	4
27	270190	201B	FORK FRAME	1
28	270191	225	WASHER	8
29	270193	226	BEARING	8
30	270194	227B	ROLLER	4
31	270195	224B	LINKING PLATE	4
32	270197	250B	PLATFORM	1
33	270198	251B	BOLT	2
34	270199	240B	LOAD CELL	4
35	270200		KIT: PIN/O-RING	1
		241B	PIN	4
		242B	O-RING	8
36	270202	243B	BOLT	8
37	270204	229	SET OF LOAD CELLS (W JUNCTION BOX)	1

SCALE PALLET JACK

- Weighting accuracy ± 4.4 lbs., or 2 kg
- LCD display scale.
- Mettler-Toledo Hawk scale/sensor.
- UL approved scale operates on six D cell batteries or AC.
- Charge rechargeable type "D" size batteries without removing from display.
- Three position hand control.
- 205° turning radius.
- 2 year pump warranty.
- 7" wide forks.
- 7" moldon polyurethane steering wheels.
- 3" moldon polyurethane oad wheels.

NOT FOR LEGAL TRADE

PRINT ISSUED

OCT. 31, 2007

WESCO MANUFACTURING
 ENGINEERING DEPARTMENT

WESCO INDUSTRIAL PRODUCTS, LLC
 NORTH WALES, PENNA. 19454

PART NAME	SCALE PALLET TRUCK	REVISED	RDS 10-31-07
NEW DISPLAY EFFECTIVE MAY 2007		CHECKED	
TOLERANCE UNLESS OTHERWISE SPECIFIED		APP. ENGR.	
FRONT 3 PLATE DIMENL	3 PLATE DIMENL	SCALE	
2.125" 2.125" 2.125"	2.125" 2.125" 2.125"	2.125" 2.125" 2.125"	
SHEET 1 OF 3			
DRAW ALL DIMS UNLESS OTHERWISE SPECIFIED			

D-272938

SCALE PALLET TRUCK CHARGER PLUGS

P/N: 272851

Charger for IND 221
Display Units



P/N: 273167

Charger for IND 231
Display Units



PRINT ISSUED

OCT. 31, 2007

WESCO MANUFACTURING
ENGINEERING DEPARTMENT

WESCO INDUSTRIAL PRODUCTS INC.

NORTH WALES PENNA. 19454

PART NAME: SPT-22 DRAWING: RDS 10-31-07

SCALE PALLET TRUCK CHECKED:

NEW DISPLAY EFFECTIVE MAY 2007 APP. ENGR:

TOLERANCE UNLESS OTHERWISE SPECIFIED

FINISHES: 3 PLASK ORIGNAL 3 PLASK ORIGNAL 3 PL

ANALYSIS: 1-1/2 SHEET: 3 OF 3

ISSUE: ALL DIMS SHOWN UNLESS OTHERWISE NOTED

SOLE: D-272938