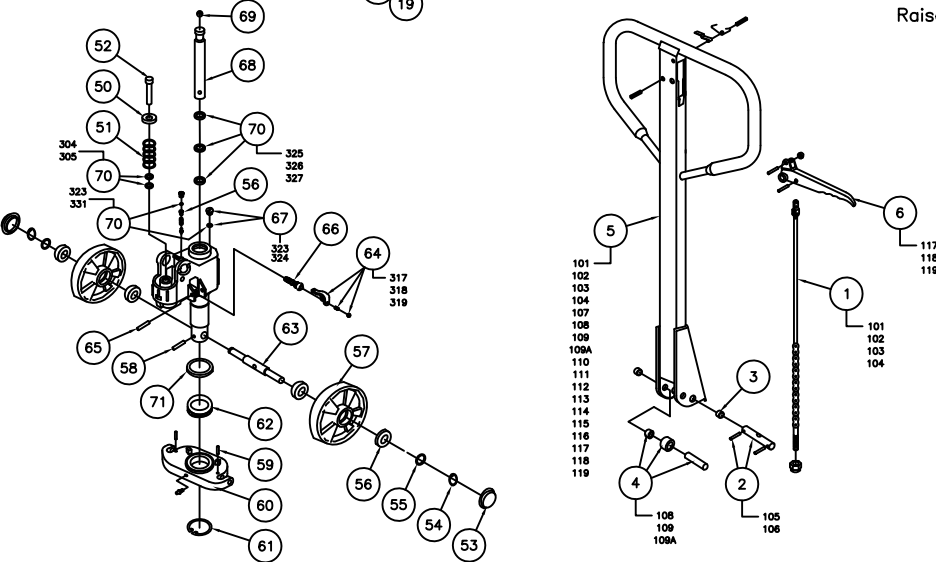
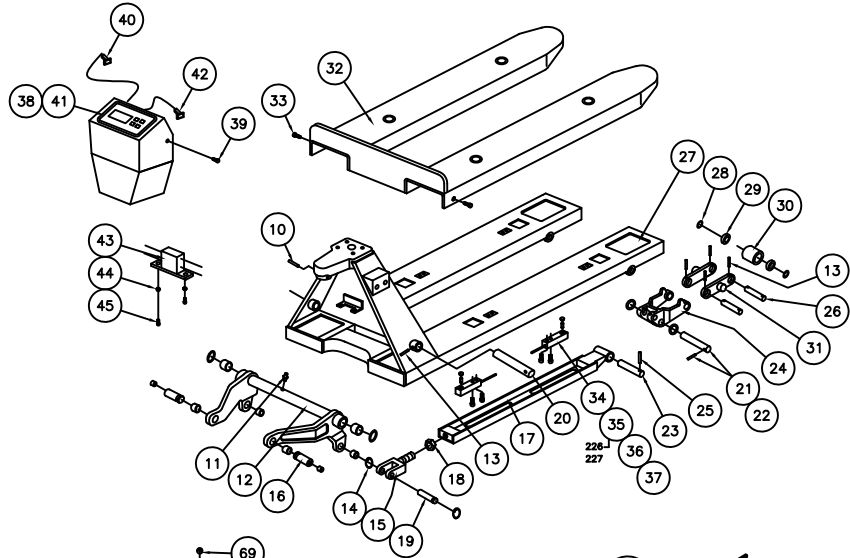


*See Page 3 for different charging plug details



P/N 272936

Wheel: Polyurethane
 Fork: 27.5" x 47.5"
 Weight: 307 lbs
 Capacity: 5,500 lbs

Lowered fork height: 2.9"
 Raised fork height: 8"

SCALE PALLET JACK

- Weighting accuracy ±4.4 lbs., or 2 kg
- LCD display scale.
- Metler-Toledo Hawk scale/sensor.
- UL approved scale operates on battery pack or AC.
- Charge rechargeable battery pack without removing from display.
- Three position hand control.
- 205° turning radius.
- 2 year pump warranty.
- 7" wide forks.
- 7" moldon polyurethane steering wheels.
- 3" moldon polyurethane oad wheels.

NOT FOR LEGAL TRADE

38	270395	247-7	DISPLAY UNIT	1
39	272850	247-8	BOLT	2
40	272851	247-9	CHARGING PLUG FOR IND221	1
	273167		CHARGING PLUG FOR IND231	1
	272849		BATTERY (FOR UNITS AFTER 05/2007)	1
41	270793	247-10	BATTERY: RECHARGEABLE (FOR UNITS AFTER 03/2015)	1
42	272852	247-11	PLUG	1
43	270210	246B	BOX OF CABLE	1
44	270212	245B	NUT	2
45	270215	244B	BOLT	2
46			NOT USED	

JACK PARTS LIST

50	270032	301	SPRING CAB	1	
51	270033	302	SPRING	1	
52	270035	303	PUMP PISTON	1	
53	272665	306	DUST COVER (YELLOW)	2	
	272793		DUST COVER (BLACK)	2	
54	270036	307	SPRING WASHER	2	
55	270037	308	WASHER	1	
56	272325	309	BEARING	4	
57	272663	310	POLY STEERING WHEEL	2	
58	270038	311	ELASTIC PIN	1	
59	270041	312	ELASTIC PIN	2	
60	270043	313	THRUST PLATE	1	
61	270044	314	RETAINING RING	1	
62	272100	315	THRUST PLATE	1	
63	270045	316	SHAFT	1	
64	270050		KIT: LEVER PLATE	1	
		317	NUT	1	
		318	SCREW	1	
		319	LEVER PLATE	1	
65	270053	320	ELASTIC PIN	1	
66	272664	321	VALVE CARTRIDGE	1	
67	270057		KIT: SCREW/WASHER	1	
		323	SEAL WASHER	1	
		324	SCREW PLUG	1	
68	270058	328	PISTON ROD	1	
69	270059	329	STEEL BALL	1	
70	270061		KIT: SEAL	1	
		304	DUST RING	1	
		305	SEAL	1	
		323	SEAL WASHER	1	
		270172	208	RETAINING RING	4
		326	O-RING	1	
		327	DUST RING	1	
		331	O-RING	1	
56	272661		REPLACEMENT PUMP	1	
71	270059	337	BEARING COVER	1	

HANDLE PARTS LIST (Type "A")

1	270060		ASSY: HANDLE RELEASE	1
		101	RELEASE ROD	1
		102	CHAIN	1
		103	ADJUSTING BOLT	1
		104	ADJUSTING NUT	1
2	270004		KIT: AXLE/PIN	1
		105	AXLE WITH HOLE	1
		106	ELASTIC PIN	2
3	273008	107	BUSHING	2
4	270005		KIT: PRESSURE ROLLER	1
		108	ROLLER PIN	1
		109	PRESSURE ROLLER	1
		109A	BUSHING	1
5	270007		KIT: HANDLE ASSEMBLY	1
		101	RELEASE ROD	1
		102	CHAIN	1
		103	ADJUSTING BOLT	1
		104	ADJUSTING NUT	1
	273008	107	BUSHING	2
		108	ROLLER PIN	1
		109	PRESSURE ROLLER	1
		109A	BUSHING	1
		110	DRAW BAR	1
		111	STOP RUBBER	1
		112	ELASTIC PIN	1
		113	BLADE SPRING	1
		114	SPRING	1
		115	ELASTIC PIN	1
		116	ELASTIC PIN	1
		117	CONTROL HANDLE	1
		118	ROLLER	1
		119	ELASTIC PIN	1
6	272791		KIT: CONTROL HANDLE	1
		117	CONTROL HANDLE	1
		118	ROLLER	1
		119	ELASTIC PIN	1

FORK FRAME PARTS LIST

10	270151	202	ELASTIC PIN	1
11	270159	237	QIL-HOLDER	1
12	270160	203B	ROCK-ARM	1
13	270164	230	ELASTIC PIN	9
14	270172	208	RETAINING RING	4
15	270174	209B	JOINT	2
16	270178	205	SHAFT	2
17	270179	212B	PUSHING ROD	2
18	270180	211B	NUT	2
19	270181	210B	PIN	2
20	270182	214B	LONG SHAFT	1
21	270183	221B	SHAFT	2
22	270184	220	ELASTIC PIN	2
23	270185	218B	SHAFT	2
24	270186	222B	FRAME OF ROLLER	2
25	270187	219	ELASTIC PIN	2
26	270189	223	SHAFT OF ROLLER	4
27	270190	201B	FORK FRAME	1
28	270191	225	WASHER	8
29	270193	226	BEARING	8
30	270194	227B	ROLLER	4
31	270195	224B	LINKING PLATE	4
32	270197	250B	PLATFORM	1
33	270198	251B	BOLT	2
34	270199	240B	LOAD PAD	4
35	270200		KIT: PIN/O-RING	4
		241B	PIN	4
		242B	O-RING	8
36	270202	243B	BOLT	8
37	270204	229	SET OF LOAD CELLS (W JUNCTION BOX)	1

PRINT ISSUED

OCT. 31, 2007

WESCO MANUFACTURING
 ENGINEERING DEPARTMENT

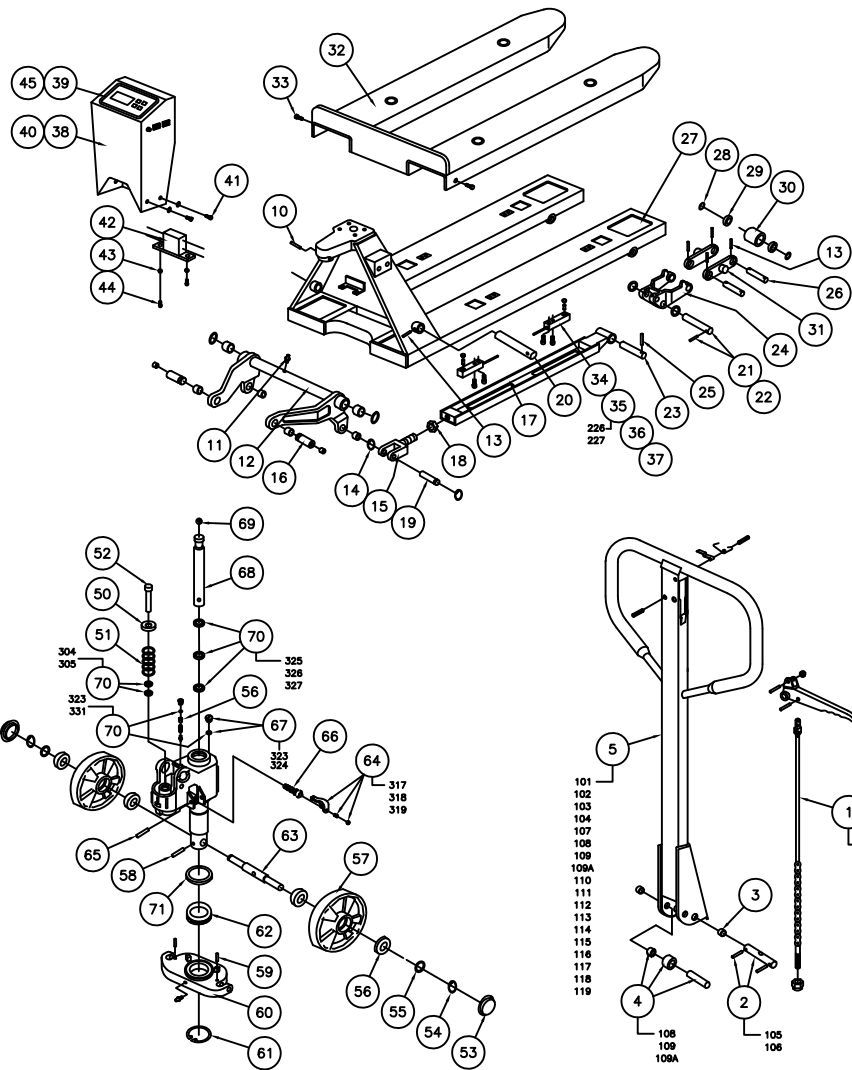
WESCO INDUSTRIAL PRODUCTS, LLC
 NORTH WALES PENNA. 19454

SPT-27 SCALE PALLET TRUCK
 NEW DISPLAY EFFECTIVE MAY 2007

REV. RDS 10-31-07
 CHECKED: _____
 APP. ENGR. _____
 SOLD: _____

3 PLATE SERIAL 3 PLATE SERIAL
 8 1/2" 8 1/2" 8 1/2" 8 1/2"
 DIMENSIONS & 1-1/2" 1 1/2" 1 1/2" 1 1/2"
 SHEET 1 OF 2
 SHOW ALL SHIP EDGES AND REMOVE ALL BURRS

D-272936



P/N 272936

Wheel: Polyurethane
 Fork: 27.5" x 47.5"
 Weight: 307 lbs
 Capacity: 5,500 lbs

Lowered fork height: 2.9"
 Raised fork height: 8"

38	270205	230	DISPLAY UNIT	1
39	270206	231	COVER BOARD	1
40	270207	232	FIXATION BOX	1
41	270209	233	BOLT	4
42	270210	234	BOX OF CABLE	1
43	270212	235	NUT	2
44	270215	236	SCREW	2
45	270216	237	BOLT	4
46	270224		MOTHERBOARD OF DISPLAY	1
	172180		BATTERY	1

JACK PARTS LIST				
50	270032	301	SPRING CAB	1
51	270033	302	SPRING	1
52	270035	303	PUMP PISTON	1
53	272865	306	DUST COVER	2
54	270036	307	SPRING WASHER	2
55	270037	308	WASHER	1
56	272325	309	BEARING	4
57	272663	310	POLY STEERING WHEEL	2
58	270038	311	ELASTIC PIN	1
59	270041	312	ELASTIC PIN	2
60	270043	313	THRUST PLATE	1
61	270044	314	RETAINING RING	1
62	272100	315	THRUST PLATE	1
63	270045	316	SHAFT	1
64	270050		KIT: LEVER PLATE	1
		317	NUT	1
		318	SCREW	1
		319	LEVER PLATE	1
65	270053	320	ELASTIC PIN	1
66	272864	321	VALVE CARTRIDGE	1
67	270057		KIT: SCREW/WASHER	1
		323	SEAL WASHER	1
		324	SCREW PLUG	1
68	270058	328	PISTON ROD	1
69	270059	329	STEEL BALL	1
70	270081		KIT: SEAL	1
		304	DUST RING	1
		305	SEAL	1
		323	SEAL WASHER	1
		325	SEAL	1
		326	O-RING	1
		327	DUST RING	1
		331	O-RING	1
56	272661		REPLACEMENT PUMP	1
71	270059	337	BEARING COVER	1
	270277		AC ADAPTER	1

SCALE PALLET JACK

- Weighting accuracy ±.22 lbs., or 3.5 oz
- LCD display scale.
- Metler-Toledo Hawk scale/sensor.
- UL approved scale operates on six D cell batteries or AC.
- Charge rechargeable type "D" size batteries without removing from display.
- Three position hand control.
- 205° turning radius.
- 2 year pump warranty.
- 7" wide forks.
- 7" moldon polyurethane steering wheels.
- 3" moldon polyurethane oad wheels.

NOT FOR LEGAL TRADE

HANDLE PARTS LIST (Type "A")

1	270060		ASS'Y: HANDLE RELEASE	1
		101	RELEASE ROD	1
		102	CHAIN	1
		103	ADJUSTING BOLT	1
		104	ADJUSTING NUT	1
2	270004		KIT: AXLE/PIN	1
		105	AXLE WITH HOLE	1
		106	ELASTIC PIN	2
3	273008	107	BUSHING	2
4	270005		KIT: PRESSURE ROLLER	1
		108	ROLLER PIN	1
		109	PRESSURE ROLLER	1
		109A	BUSHING	1
5	270007		KIT: HANDLE ASSEMBLY	1
		101	RELEASE ROD	1
		102	CHAIN	1
		103	ADJUSTING BOLT	1
		104	ADJUSTING NUT	1
273008	107	BUSHING	2	
	108	ROLLER PIN	1	
	109	PRESSURE ROLLER	1	
	109A	BUSHING	1	
	110	DRAW BAR	1	
	111	STOP RUBBER	1	
	112	ELASTIC PIN	1	
	113	BLADE SPRING	1	
	114	SPRING	1	
	115	ELASTIC PIN	1	
	116	ELASTIC PIN	1	
	117	CONTROL HANDLE	1	
	118	ROLLER	1	
	119	ELASTIC PIN	1	
6	272791		KIT: CONTROL HANDLE	1
		117	CONTROL HANDLE	1
		118	ROLLER	1
		119	ELASTIC PIN	1

FORK FRAME PARTS LIST

10	270151	201	ELASTIC PIN	1
11	270159	202	QIL-HOLDER	1
12	270180	203	ROCK-ARM	1
13	270184	204	ELASTIC PIN	9
14	270172	205	RETAINING RING	4
15	270174	206	JOINT	2
16	270178	207	SHAFT	2
17	270179	208	PUSHING ROD	2
18	270180	209	NUT	2
19	270181	210	PIN	2
20	270182	211	LONG SHAFT	1
21	270183	212	SHAFT	2
22	270184	213	ELASTIC PIN	2
23	270185	214	SHAFT	2
24	270186	215	FRAME OF ROLLER	2
25	270187	216	ELASTIC PIN	2
26	270189	217	SHAFT OF ROLLER	4
27	270190	218	FORK FRAME	1
28	270191	219	WASHER	8
29	270193	220	BEARING	8
30	270194	221	ROLLER	4
31	270195	222	LINKING PLATE	4
32	270197	223	PLATFORM	1
33	270198	224	BOLT	2
34	270199	225	LOAD PAD	4
35	270200		KIT: PIN/O-RING	4
		226	PIN	4
		227	O-RING	8
36	270202	228	BOLT	8
37	270204	229	SET OF LOAD CELLS (W JUNCTION BOX)	1

PRINT ISSUED

DEC 11, 2006

WESCO MANUFACTURING
 ENGINEERING DEPARTMENT

WESCO INDUSTRIAL PRODUCTS, LLC
 NORTH WALES PENNA. 19454

REV: 0001
 SPT-27 SCALE PALLET TRUCK
 OLD DISPLAY USED TILL MAY 2007

DATE: 11/11/06
 DRAWN: KL 11-22-06
 CHECKED: []
 APP. ENGR: []
 PROJECT: []
 3 PLAS SERIAL: []
 3 PLAS SERIAL: []
 3 PLAS SERIAL: []
 SHEET 2 OF 2
 D-272936

SCALE PALLET TRUCK CHARGER PLUGS

P/N: 272851

Charger for IND 221
Display Units

P/N: 273167

Charger for IND 231
Display Units

PRINT ISSUED

OCT. 31, 2007

WESCO MANUFACTURING
ENGINEERING DEPARTMENTWESCO INDUSTRIAL PRODUCTS, LLC
NORTH WALES PENNA. 19454

PART NAME	SPT-27	DRWING	RDS 10-31-07
SCALE PALLET TRUCK		CHECKED	
NEW DISPLAY EFFECTIVE MAY 2007		APP. ENGR.	
TOLERANCE UNLESS OTHERWISE SPECIFIED			
FINISH	3 PLAKE ORINAL	3 PLAKE ORINAL	
S. 1/16"	3. 6/32"	3. 31"	
ANSI/AS & 1-1/2"	SHEET 3	OF 3	
DRAW ALL DIMS DIMS AND MACHINE ALL DIMS			D-272936