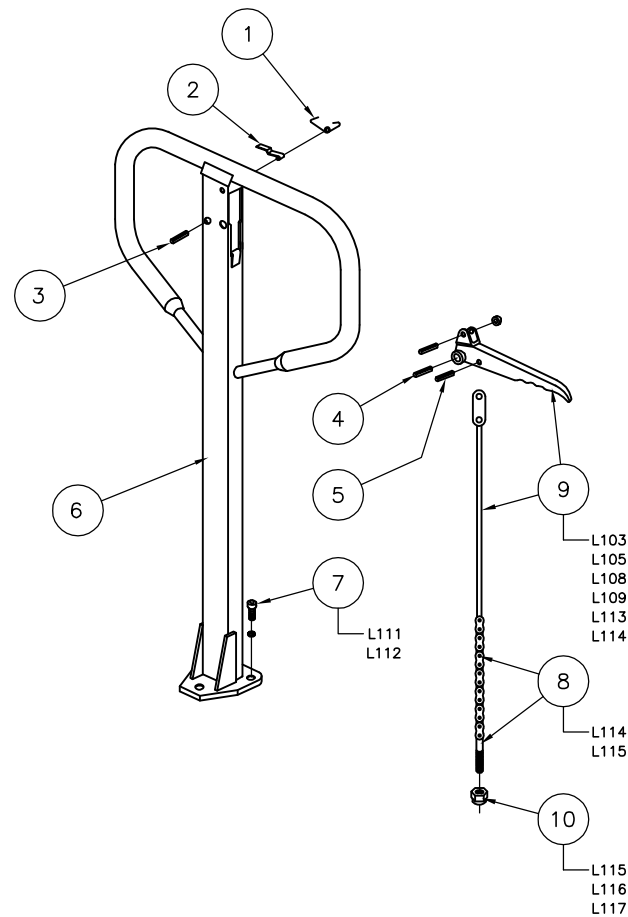
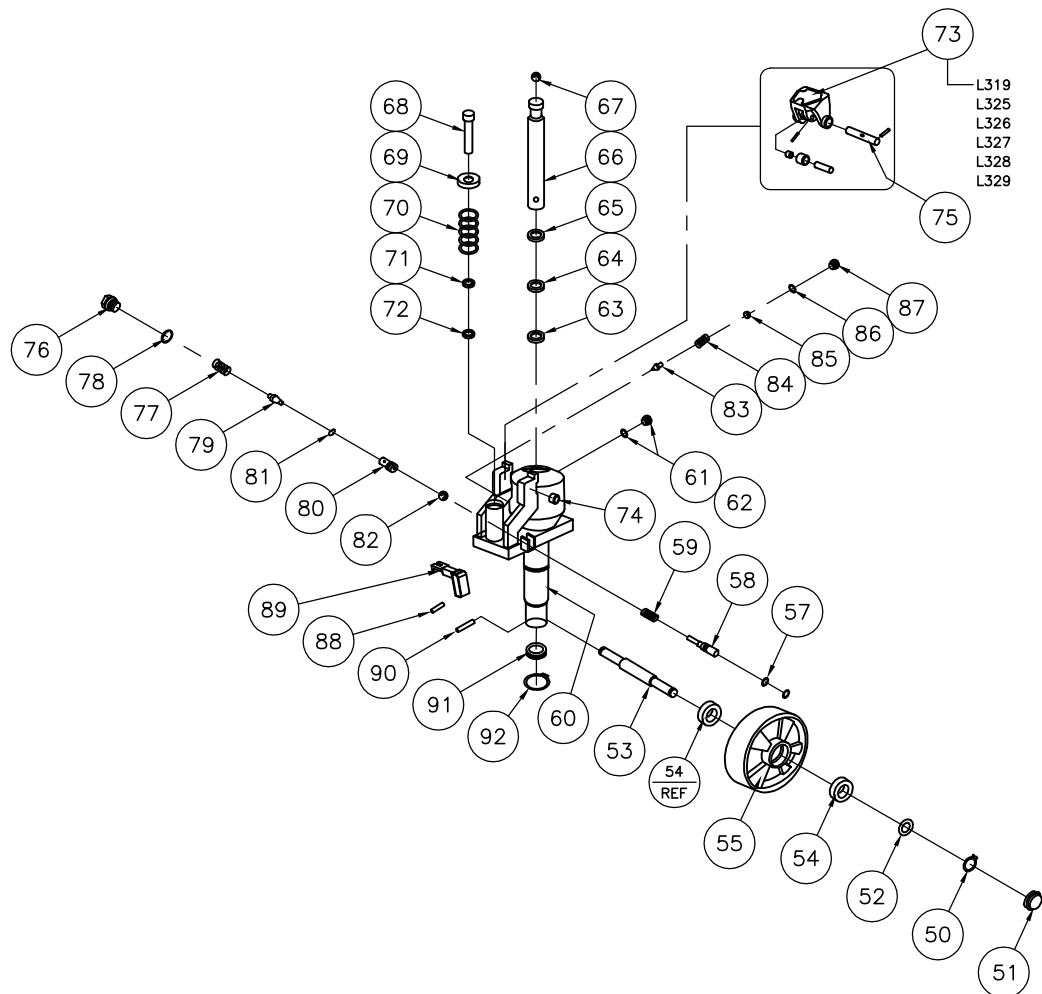


CPIX PALLET JACK

- Polyurethane wheels.
- Adjustable fork connecting rods.
- Entry/exit rollers.
- Overload bypass.
- Reinforced forks.
- Rubber coated handle.
- Raised height: 8", Lowered height: 3"
- 3 years pump warranty.
- 7" wide forks.
- 8" moldon polyurethane
- 3" moldon polyurethane
- 48" O.A.H



JACK PARTS LIST				
50	272789	L301	LARGE RETAINER RING	2
51	272793	L302	HUB CAB (POLY WHL.)	2
52	272794	L303	WASHER (POLY WHL.)	2
53	272795	L304	AXLE OF STEERING WHEEL	1
54	272325	L305	BEARING	4
55	272785	L306	WHEELS (POLY)	2
56	N/A	L307	N/A	
57	273013	L308	O-RING	2
58	273014	L309	RELEASE VALVE	1
59	273015	L310	SPRING	1
60	272779	L311	PUMP BODY	1
61	273016	L312	SEAL WASHER	1
62	273017	L313	BOLT	1
63	273018	L314	Y-SEAL	1
64	273019	L315	Y-SEAL	1
65	273020	L316	WIPER	1
66	273021	L317	LIFT PISTON	1
67	273022	L318	STEEL BALL	1
68	272797	L320	PUMP PISTON	1
69	272310	L321	CAP OF PISTON	1
70	272790	L322	SPRING	1
71	272798	L323	WIPER	1
72	272799	L324	Y-SEAL	1
73	272773		KIT: BRACKET ASS'Y	1
		L319	BRACKET	1
	272774	L325	AXLE OF ROLLER	1
	272075	L326	PRESSURE ROLLER	1
	272085	L327	BUSHING	1
	272090	L328	ELASTIC PIN	1
	272082	L329	ELASTIC PIN	1
74	273008	L330	BUSHING	1
75	274086	L331	AXLE WITH HOLE	1
76	273004	L332	PLUG BOLT	1
77	273006	L333	SPRING	1
78	273005	L334	SEAL WASHER	1
79	273003	L335	VALVE PIN	1
80	273002	L336	VALVE	1
81	273007	L337	O-RING	1
82	273001	L338	STEEL BALL	1
83	272099	L339	SAFE VALVE PIN	1
84	273026	L340	SPRING	1
85	273027	L341	ADJUSTING BOLT	1
86	272028	L342	O-RING	1
87	272029	L343	PLUG BOLT	1
88	273009	L344	ELASTIC PIN	1
89	273010	L345	LEVER	1
90	273011	L348	ELASTIC PIN	1
91	272100	L349	THRUST BEARING	1
92	273012	L350	SNAP RING	1
93	274082		SEAL KIT	1
94	272780		COMPLETE REPLACMENT PUMP	1

HANDLE PARTS LIST (Type "A")				
1	274076	L101	SPRING	1
2	274083	L102	BLADE SPRING	1
3	272453	L104	ELASTIC PIN	1
4	272043	L106	ELASTIC PIN	1
5	272322	L107	ELASTIC PIN	1
6	274075	L110	HANDLE	1
7	274079		KIT: BOLT/ELASTIC WASHER	1
		L111	HANDLE	3
		L112	ELASTIC PIN	3
8	272454		KIT: CHAIN/PIN	1
		L114	CHAIN	1
		L115	PIN	1
9	272791		KIT: CONTROL HANDLE	1
	274001	L103	ROLLER	1
	272042	L105	ELASTIC PIN	1
		L108	CONTROL HANDLE	1
	274084	L109	PULL BOARD	1
		L113	PULL ROD	1
		L114	PULL BOARD	1
10	274087		KIT: RELEASE ASSEMBLY	1
		L115	PIN	1
	272456	L116	ADJUSTING BOLT	1
	272337	L117	ADJUSTING NUT	1

FORK FRAME PARTS LIST				
15	N/A	L201	CHASSIS	1
16	272311	L202	LOCK BOLT	1
17	272312	L203	BUSHING	4
18	272788	L204	SHOULDER BOLT	2
19	272305	L205	BUSHING	2
20	270629	L206	TORSIO TUBE 21"	1
21	272306	L207	THRUST PLATE	1
22	272314	L208	SNAP RING	2
23	272317	L209	EYE BOLT	2
24	272318	L210	NUT	2
25	272319	L211	PUSH ROD	2
26	272315	L212	AXLE for EYE BOLT	2
27	272044	L213	ELASTIC PIN	2
28	272332	L214	AXLE for TORSION TUBE	2
29	272321	L215	ROLLER	2
30	274088	L216	BUSHING	4
31	274085	L217	AXLE	2
32	272308	L218	ELASTIC PIN	4
33	272309	L219	BUSHING	4
34	272320	L220	FRAME OF WHEEL	4
35	272333	L221	BOLT	2
36	272334	L222	PIN	2
37	272323	L223	WASHER	4
38	272324	L224	AXLE FOR WHEEL	2
39	272325	L225	BEARING	4
40	272784	L226	LOAD WHEEL (POLY)	2
41	272336	L227	ELASTIC WASHER	2
42	272335	L228	NUT	2
43	272326	L229	NUT	2
44	272327	L230	ENTRY ROLLER	2
45	272331	L231	BOLT	2

P/N 272777

Wheel: Polyurethane
 Fork: 21" x 48"
 Weight: 200 lbs
 Capacity: 5,500 lbs

THIS DRAWING IN ALL PARTICULARS IS WESCO INDUSTRIAL PRODUCTS INC. PROPERTY. ALL RIGHTS OF DESIGN, INVENTION OR USE OF ARE RESERVED.

PRINT ISSUED
 NOV. 29, 2006
 WESCO MANUFACTURING
 ENGINEERING DEPARTMENT

WESCO INDUSTRIAL PRODUCTS INC. PENNA. 19446	
PART NAME CPIX: 21 X 48 POLYURETHANE WHEEL, PALLET TRUCK	DRAWN: KL 11-22-06
TOLERANCE UNLESS OTHERWISE SPECIFIED	CHECKED:
FRACTION 3 PLACE DECIMAL 2 PLACE DECIMAL	APP. ENGR.
± 1/64 ± .005 ± .01	SCALE: 1" = 2"
ANGULAR ± 1-1/2°	SHEET 1 OF 1
BREAK ALL SHARP EDGES AND REMOVE ALL BURRS	D-272777