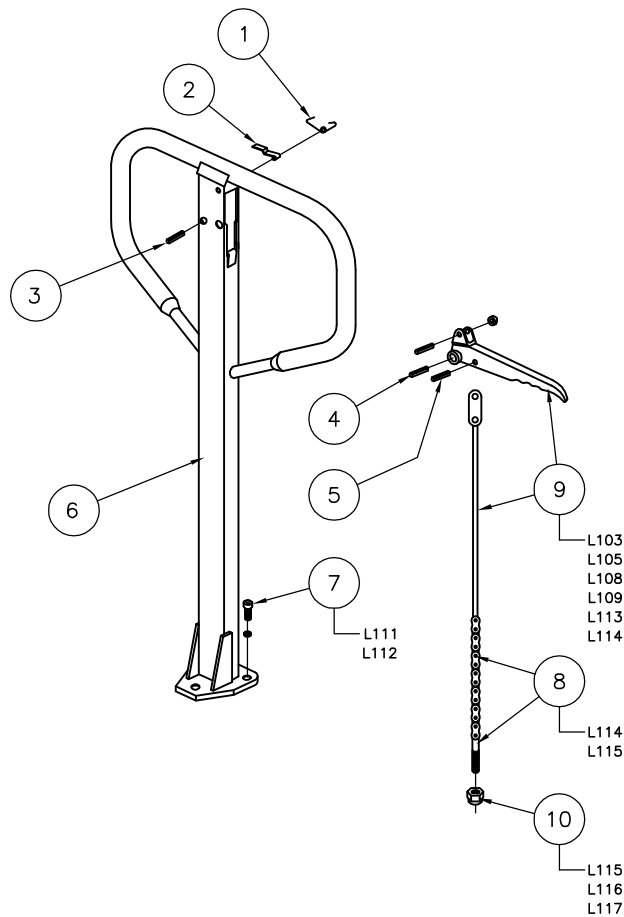
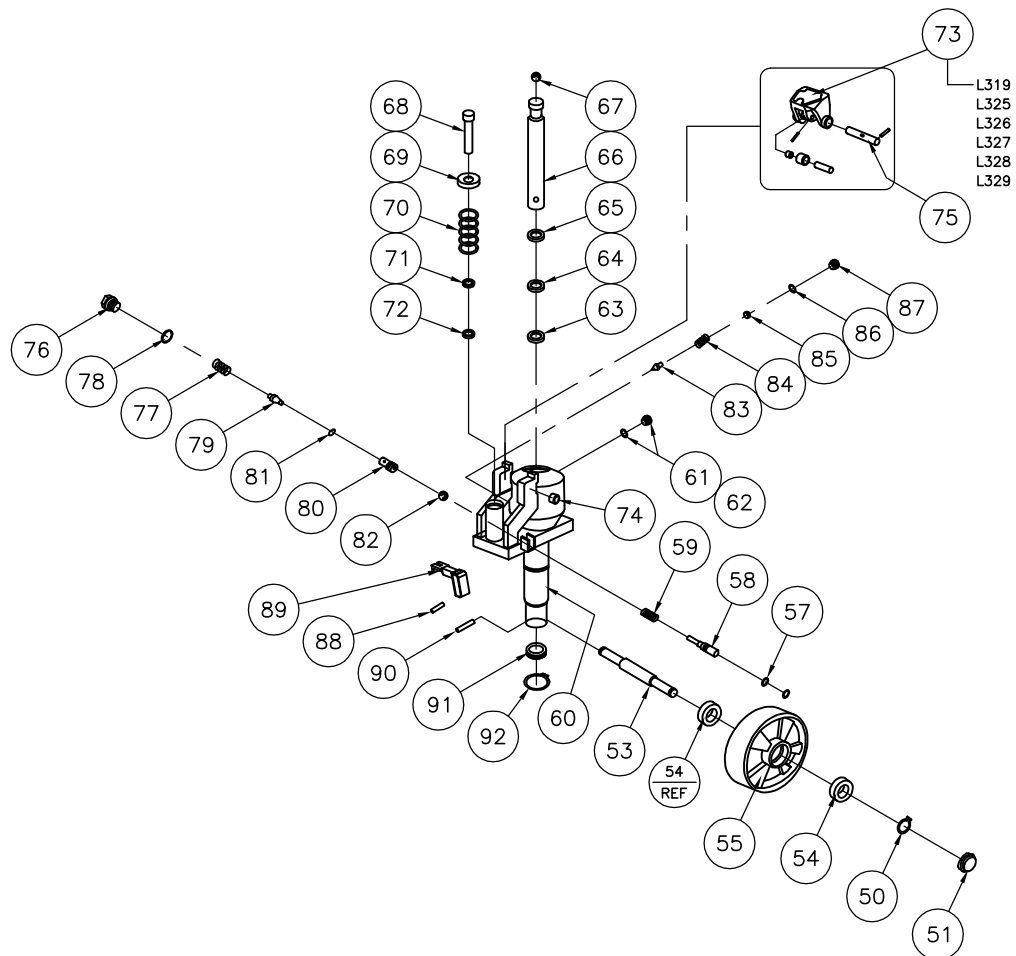


### CPIX PALLET JACK

- Nylon wheels.
- Adjustable fork connecting rods.
- Entry/exit rollers.
- Overload bypass.
- Reinforced forks.
- Rubber coated handle.
- Raised height 8", Lowered height 3"
- 3 years pump warranty.
- 7" wide forks.
- 8" Nylon steering wheels.
- 3" Nylon load wheels.
- 48" O.A.H



| JACK PARTS LIST |        |      |                          |   |
|-----------------|--------|------|--------------------------|---|
| 50              | 272792 | L301 | SMALL RETAINER RING      | 2 |
| 51              | 272796 | L302 | HUB CAB (NYLON WHL.)     | 2 |
| 52              | N/A    | L303 | N/A                      |   |
| 53              | 272795 | L304 | AXLE OF STEERING WHEEL   | 1 |
| 54              | 272325 | L305 | BEARING                  | 4 |
| 55              | 272783 | L306 | WHEELS                   | 2 |
| 56              | N/A    | L307 | N/A                      |   |
| 57              | 273013 | L308 | O-RING                   | 2 |
| 58              | 273014 | L309 | RELEASE VALVE            | 1 |
| 59              | 273015 | L310 | SPRING                   | 1 |
| 60              | 272779 | L311 | PUMP BODY                | 1 |
| 61              | 273016 | L312 | SEAL WASHER              | 1 |
| 62              | 273017 | L313 | BOLT                     | 1 |
| 63              | 273018 | L314 | Y-SEAL                   | 1 |
| 64              | 273019 | L315 | Y-SEAL                   | 1 |
| 65              | 273020 | L316 | WIPER                    | 1 |
| 66              | 273021 | L317 | LIFT PISTON              | 1 |
| 67              | 273022 | L318 | STEEL BALL               | 1 |
| 68              | 272797 | L320 | PUMP PISTON              | 1 |
| 69              | 272310 | L321 | CAP OF PISTON            | 1 |
| 70              | 272790 | L322 | SPRING                   | 1 |
| 71              | 272798 | L323 | WIPER                    | 1 |
| 72              | 272799 | L324 | Y-SEAL                   | 1 |
| 73              | 272773 |      | KIT: BRACKET ASS'Y       | 1 |
|                 |        | L319 | BRACKET                  | 1 |
|                 | 272774 | L325 | AXLE OF ROLLER           | 1 |
|                 | 272075 | L326 | PRESSURE ROLLER          | 1 |
|                 | 272085 | L327 | BUSHING                  | 1 |
|                 | 272090 | L328 | ELASTIC PIN              | 1 |
|                 | 272082 | L329 | ELASTIC PIN              | 1 |
| 74              | 273008 | L330 | BUSHING                  | 1 |
| 75              | 274086 | L331 | AXLE WITH HOLE           | 1 |
| 76              | 273004 | L332 | PLUG BOLT                | 1 |
| 77              | 273006 | L333 | SPRING                   | 1 |
| 78              | 273005 | L334 | SEAL WASHER              | 1 |
| 79              | 273003 | L335 | VALVE PIN                | 1 |
| 80              | 273002 | L336 | VALVE                    | 1 |
| 81              | 273007 | L337 | O-RING                   | 1 |
| 82              | 273001 | L338 | STEEL BALL               | 1 |
| 83              | 272099 | L339 | SAFE VALVE PIN           | 1 |
| 84              | 273026 | L340 | SPRING                   | 1 |
| 85              | 273027 | L341 | ADJUSTING BOLT           | 1 |
| 86              | 272028 | L342 | O-RING                   | 1 |
| 87              | 272029 | L343 | PLUG BOLT                | 1 |
| 88              | 273009 | L344 | ELASTIC PIN              | 1 |
| 89              | 273010 | L345 | LEVER                    | 1 |
| 90              | 273011 | L348 | ELASTIC PIN              | 1 |
| 91              | 272100 | L349 | THRUST BEARING           | 1 |
| 92              | 273012 | L350 | SNAP RING                | 1 |
| 93              | 274082 |      | SEAL KIT                 | 1 |
| 94              | 272780 |      | COMPLETE REPLACMENT PUMP | 1 |

| HANDLE PARTS LIST (Type "A") |        |      |                          |   |
|------------------------------|--------|------|--------------------------|---|
| 1                            | 274076 | L101 | SPRING                   | 1 |
| 2                            | 274083 | L102 | BLADE SPRING             | 1 |
| 3                            | 272453 | L104 | ELASTIC PIN              | 1 |
| 4                            | 272043 | L106 | ELASTIC PIN              | 1 |
| 5                            | 272322 | L107 | ELASTIC PIN              | 1 |
| 6                            | 274075 | L110 | HANDLE                   | 1 |
| 7                            | 274079 |      | KIT: BOLT/ELASTIC WASHER | 1 |
|                              |        | L111 | HANDLE                   | 3 |
|                              |        | L112 | ELASTIC PIN              | 3 |
| 8                            | 272454 |      | KIT: CHAIN/PIN           | 1 |
|                              |        | L114 | CHAIN                    | 1 |
|                              |        | L115 | PIN                      | 1 |
| 9                            | 272791 |      | KIT: CONTROL HANDLE      | 1 |
|                              | 274001 | L103 | ROLLER                   | 1 |
|                              | 272042 | L105 | ELASTIC PIN              | 1 |
|                              |        | L108 | CONTROL HANDLE           | 1 |
|                              | 274084 | L109 | PULL BOARD               | 1 |
|                              |        | L113 | PULL ROD                 | 1 |
|                              |        | L114 | PULL BOARD               | 1 |
| 10                           | 274087 |      | KIT: RELEASE ASSEMBLY    | 1 |
|                              |        | L115 | PIN                      | 1 |
|                              | 272456 | L116 | ADJUSTING BOLT           | 1 |
|                              | 272337 | L117 | ADJUSTING NUT            | 1 |

| FORK FRAME PARTS LIST |        |      |                       |   |
|-----------------------|--------|------|-----------------------|---|
| 15                    | N/A    | L201 | CHASSIS               | 1 |
| 16                    | 272311 | L202 | LOCK BOLT             | 1 |
| 17                    | 272312 | L203 | BUSHING               | 4 |
| 18                    | 272788 | L204 | SHOULDER BOLT         | 2 |
| 19                    | 272305 | L205 | BUSHING               | 2 |
| 20                    | 270629 | L206 | TORSIO TUBE 21"       | 1 |
| 21                    | 272306 | L207 | THRUST PLATE          | 1 |
| 22                    | 272314 | L208 | SNAP RING             | 2 |
| 23                    | 272317 | L209 | EYE BOLT              | 2 |
| 24                    | 272318 | L210 | NUT                   | 2 |
| 25                    | 272319 | L211 | PUSH ROD              | 2 |
| 26                    | 272315 | L212 | AXLE for EYE BOLT     | 2 |
| 27                    | 272044 | L213 | ELASTIC PIN           | 2 |
| 28                    | 272332 | L214 | AXLE for TORSION TUBE | 2 |
| 29                    | 272321 | L215 | ROLLER                | 2 |
| 30                    | 274088 | L216 | BUSHING               | 4 |
| 31                    | 274085 | L217 | AXLE                  | 2 |
| 32                    | 272308 | L218 | ELASTIC PIN           | 4 |
| 33                    | 272309 | L219 | BUSHING               | 4 |
| 34                    | 272320 | L220 | FRAME OF WHEEL        | 4 |
| 35                    | 272333 | L221 | BOLT                  | 2 |
| 36                    | 272334 | L222 | PIN                   | 2 |
| 37                    | 272323 | L223 | WASHER                | 4 |
| 38                    | 272324 | L224 | AXLE FOR WHEEL        | 2 |
| 39                    | 272325 | L225 | BEARING               | 4 |
| 40                    | 272782 | L226 | LOAD WHEEL (NYLON)    | 2 |
| 41                    | 272336 | L227 | ELASTIC WASHER        | 2 |
| 42                    | 272335 | L228 | NUT                   | 2 |
| 43                    | 272326 | L229 | NUT                   | 2 |
| 44                    | 272327 | L230 | ENTRY ROLLER          | 2 |
| 45                    | 272331 | L231 | BOLT                  | 2 |

P/N 272775

Wheel: Nylon  
 Fork: 21" x 48"  
 Weight: 200 lbs  
 Capacity: 5,500 lbs

THIS DRAWING IN ALL PARTICULARS IS WESCO INDUSTRIAL PRODUCTS INC. PROPERTY. ALL RIGHTS OF DESIGN, INVENTION OR USE OF ARE RESERVED.

PRINT ISSUED  
 NOV. 29, 2006  
 WESCO MANUFACTURING  
 ENGINEERING DEPARTMENT

|   |                    |
|---|--------------------|
| WESCO INDUSTRIAL PRODUCTS INC.<br>PENNA. 19446          |                    |
| PART NAME<br>CPIX: 21 X 48<br>NYLON WHEEL, PALLET TRUCK | DRAWN: KL 11-22-06 |
| TOLERANCE UNLESS OTHERWISE SPECIFIED                    | APP. ENGR.         |
| FRACTION 3 PLACE DECIMAL 2 PLACE DECIMAL                | SCALE: 1" = 2"     |
| ± 1/64 ± .005 ± .01                                     | SHEET 1 OF 1       |
| ANGULAR ± 1-1/2°  | D-272775           |
| BREAK ALL SHARP EDGES AND REMOVE ALL BURRS              |                    |