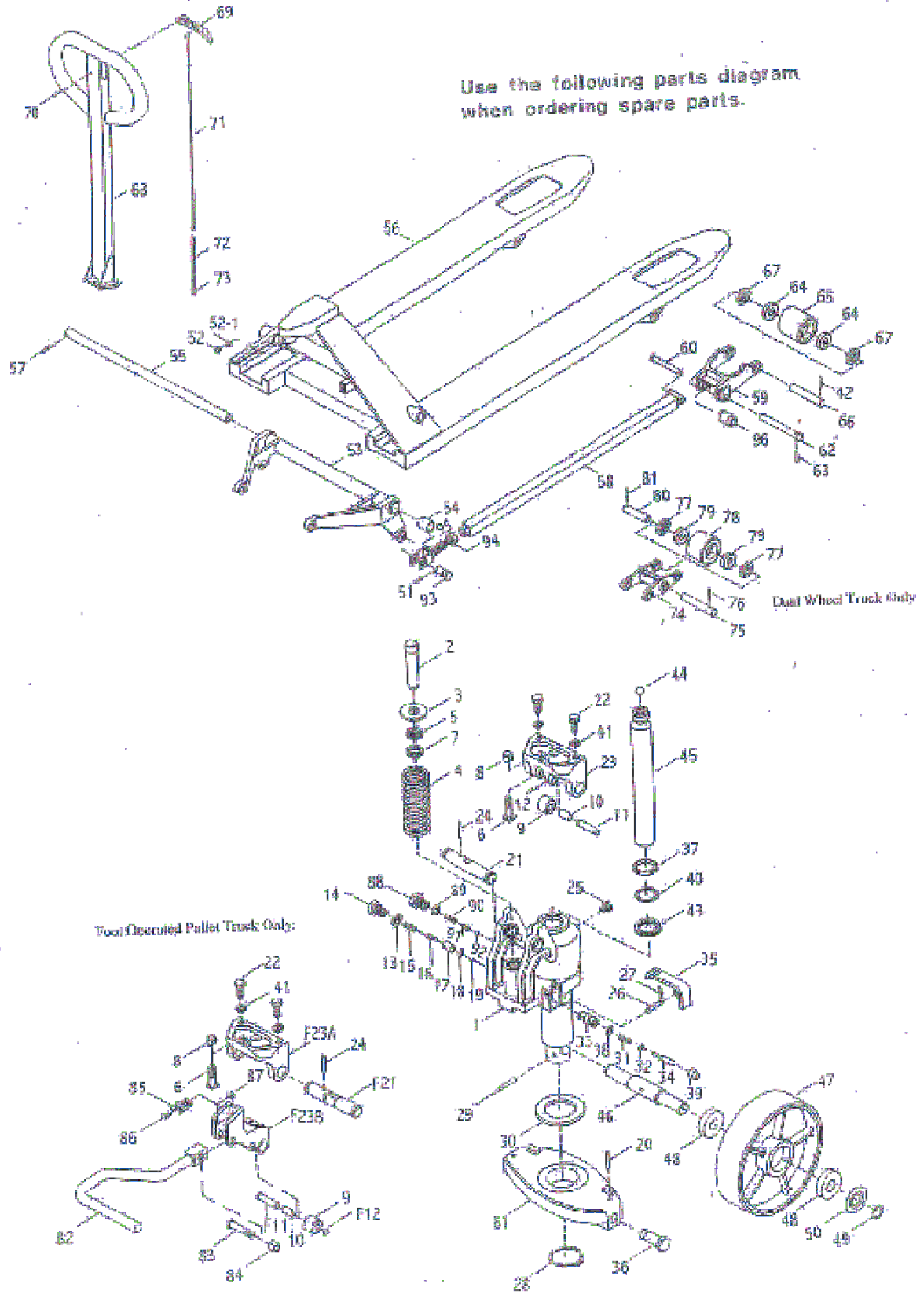


DIAGRAM Deluxe pallet truck



Parts list continued		
51	270138	SPRING PIN
52	270581	SCREW
53	270256	21" TRUNION (Old Style)
	270583	21" TRUNION (New Style)
54	270258	BUSHING
55	270574	21" PIVOT ROD
57	270272	SPRING PIN
58	270278	48" CONN. ROD (Old Style)
	270584	48" CONN. ROD (New Style)
	270848	48" ADJUSTABLE TIE ROD
59	270263	LOAD WHEEL YOKE
60	270264	CONNECTING ROD PIN
61	270284	YOKE
62	270144	YOKE AXLE
63	270266	SPRING PIN
64	270273	BALL BEARING
65	270288	LOAD WHEEL
66	270145	LOAD WHEEL AXLE
67	270289	NYLON COVER
68A	270819	COATED HANDLE (sold in 270411 Handle set)
69		CONTROL LEVER (sold in 270155 release ass'y)
70	270157	SPRING PIN
71		WIRE (sold in 270155 release ass'y)
72		CHAIN COUPLING (sold in 270155 release ass'y)
73	270148	NUT
93	270833	PIN
94	270834	ADJUST NUT
95	270835	ADJUST SCREW NUT
96	270821	EXIT ROLLER
*	270105	KIT: HANDLE BASE
*	270141	KIT: HANDLE
*	270155	KIT: HANDLE RELEASE ASS'Y
*	270158	KIT: SEAL

Replacement Parts List		
1	270150	PUMP REPLACEMENT
2	270101	PLUNGER PISTON
3	270578	CAP WASHER
4	270102	SPRING
5		DUST SEAL (sold in 270158 seal kit)
6	270313	SCREW
7		CUP PACKING (sold in 270158 seal kit)
8	270236	JAM NUT
9	270631	ROLLER (sold in 270105 Hdl. base kit)
10	270632	BUSHING (sold in 270105 Hdl. base kit)
11		AXLE (sold in 270105 Hdl. base kit)
12		BALL (sold in 270105 Hdl. base kit)
13		PACKING (sold in 270158 seal kit)
14	270107	SCREW
15		SPRING (sold in 270158 seal kit)
16	270109	VALVE CONE
17	270110	VALVE HOUSING
18		O-RING (sold in 270158 seal kit)
19		BALL (sold in 270158 seal kit)
20	270113	SPRING PIN
21	270114	AXLE
22	270115	BOLT/WASHER
23		HANDLE BASE (sold in 270105 Hdl. base kit)
24	270116	SPRING PIN
25	270117	OIL PLUG
26	270118	AXLE PIN
27	270119	PIN
28	270120	LOCKING RING
29	270121	SPRING PIN
30	270122	THRUST BEARING
31		SPRING (sold in 270158 seal kit)
32		O-RING (sold in 270158 seal kit)
33	270576	RELIEF CYLINDER
34	270125	RELEASE PISTON
35	270126	LOWERING ARM
36	270127	TABLE BOLT
37		DUST SEAL (sold in 270158 seal kit)
38	270268	O-RING
39	270267	PISTON BOOT
40		O-RING (sold in 270158 seal kit)
41	270115	BOLT/WASHER
42	270265	LOAD WHEEL AXLE PIN
43		O-RING (sold in 270158 seal kit)
44	270579	BALL, small dia. (old style)
	270132	BALL
45	270133	RAM PISTON
46	270134	WHEEL SHAFT
47	270135	STEERING WHEEL
48	270273	BALL BEARING
49	270137	LOCKING RING
50	270270	CAP (Old Style)
	270314	cap (New Style)

DELUXE PALLET TRUCKS

- 5 Year pump warranty
- 5,500 lbs capacity
- pump overload bypass
- rubber coated handle
- Adjustable fork tie rods
- Exit rollers
- 200° steering
- Tapered fork tips
- 8 gauge 6" wide reinforced forks

Standard Deluxe Models

- 8" moldon polyurethane steering wheel.
- 3" moldon polyurethane load wheels.
- 8" raised height.
- 3" lowered height.
- 6" wide forks.

P/N 272148
 Fork WxL: 21" x 48"
 Weight: 157 lbs
 Capacity: 5,500 lbs

THIS DRAWING IN ALL PARTICULARS IS WESCO INDUSTRIAL PRODUCTS INC. PROPERTY. ALL RIGHTS OF DESIGN, INVENTION OR USE OF ARE RESERVED.

PRINT ISSUED
 DEC 15, 2006
 WESCO MANUFACTURING
 ENGINEERING DEPARTMENT

WESCO INDUSTRIAL PRODUCTS INC. LANSDALE PENNA. 19446	
PART NAME Standard Deluxe 21x48 pallet series	DRAWN: KL 12-15-06 CHECKED: APP. ENGR.
TOLERANCE UNLESS OTHERWISE SPECIFIED FRACTION 3 PLACE DECIMAL 2 PLACE DECIMAL ± 1/64 ± .005 ± .01 ANGULAR ± 1-1/2° SHEET 1 OF 1	
SCALE: 1" = 1" D-272148	