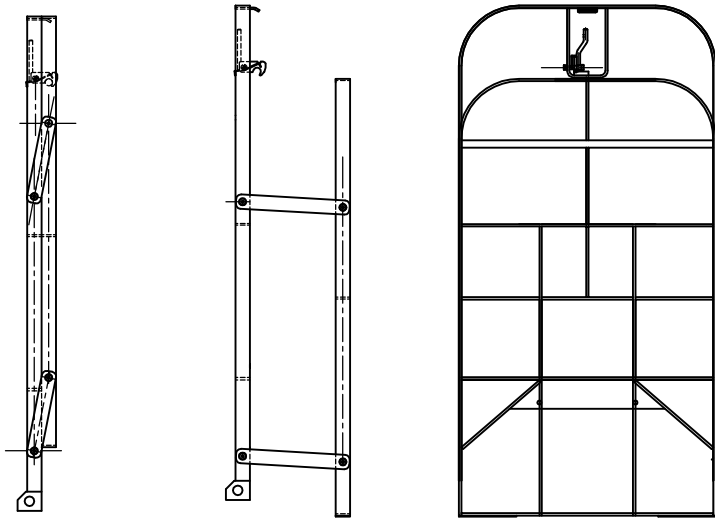


BILL OF MATERIAL			
ITEM	PART NO.	DESCRIPTION	QTY.
1	055400	ASSEMBLY: SKID ADAPTER	1
2	050291	COLLAR: STOP	2
3	055420	BAR: LOCKING	1
4	108904	SOCKET HEAD CAP SCREW	2
5	108180	NUT: HEX, NYLOC	2
6	052126	SHAFT: PIVOT	1
7	108208	WASHER: FLAT, 1"	2
8	108218	PIN: COTTER, 3/16" x 1-1/2 LG.	2
9	154175	LABEL: PINCH POINT	1

SEE NOTE 1.
SEE NOTE 1.
SEE NOTE 1.
SEE NOTE 1.
SEE NOTE 1.
SEE NOTE 1.

NOTES:

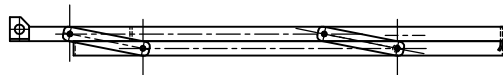
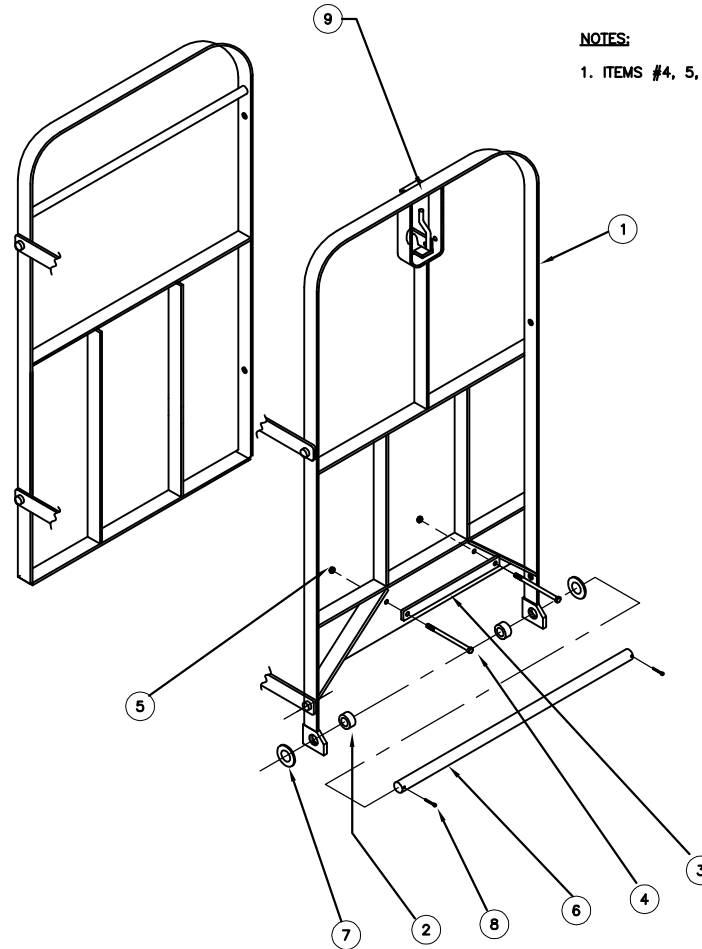
1. ITEMS #4, 5, 7, 8 AND 9 SUPPLIED BY WESCO.



STORED POSITION

EXTENDED POSITION

FRONT VIEW



PRONE POSITION

THIS DRAWING IN ALL PARTICULARS IS WESCO INDUSTRIAL PRODUCTS INC. PROPERTY. ALL RIGHTS OF DESIGN, INVENTION OR USE OF ARE RESERVED.

PRINT ISSUED

APRIL 6, 2009

WESCO MANUFACTURING
ENGINEERING DEPARTMENT

REV.	DATE	BY	APP.	REVISIONS
D	6671 04-06-09	RS		REVISED VIEWS
C	6589 10-21-08	BP		REV'D FRONT SKID HEIGHT
B	6411 03-20-08	RDS		REVISED & REDRAWN

WESCO INDUSTRIAL PRODUCTS INC.		PENNA. 19446	
LANSDALE		DRAWN: RDS 03-20-08	
PART NAME KIT: SKID: ADAPTER		CHECKED:	
TOLERANCE UNLESS OTHERWISE SPECIFIED		APP. ENGR.	
FRACTION	3 PLACE DECIMAL	2 PLACE DECIMAL	SCALE: 1" = 1"
± 1/64	± .005	± .01	
ANGULAR ± 1-1/2°		SHEET 1 OF 1	
BREAK ALL SHARP EDGES AND REMOVE ALL BURRS			C-272004 REV D