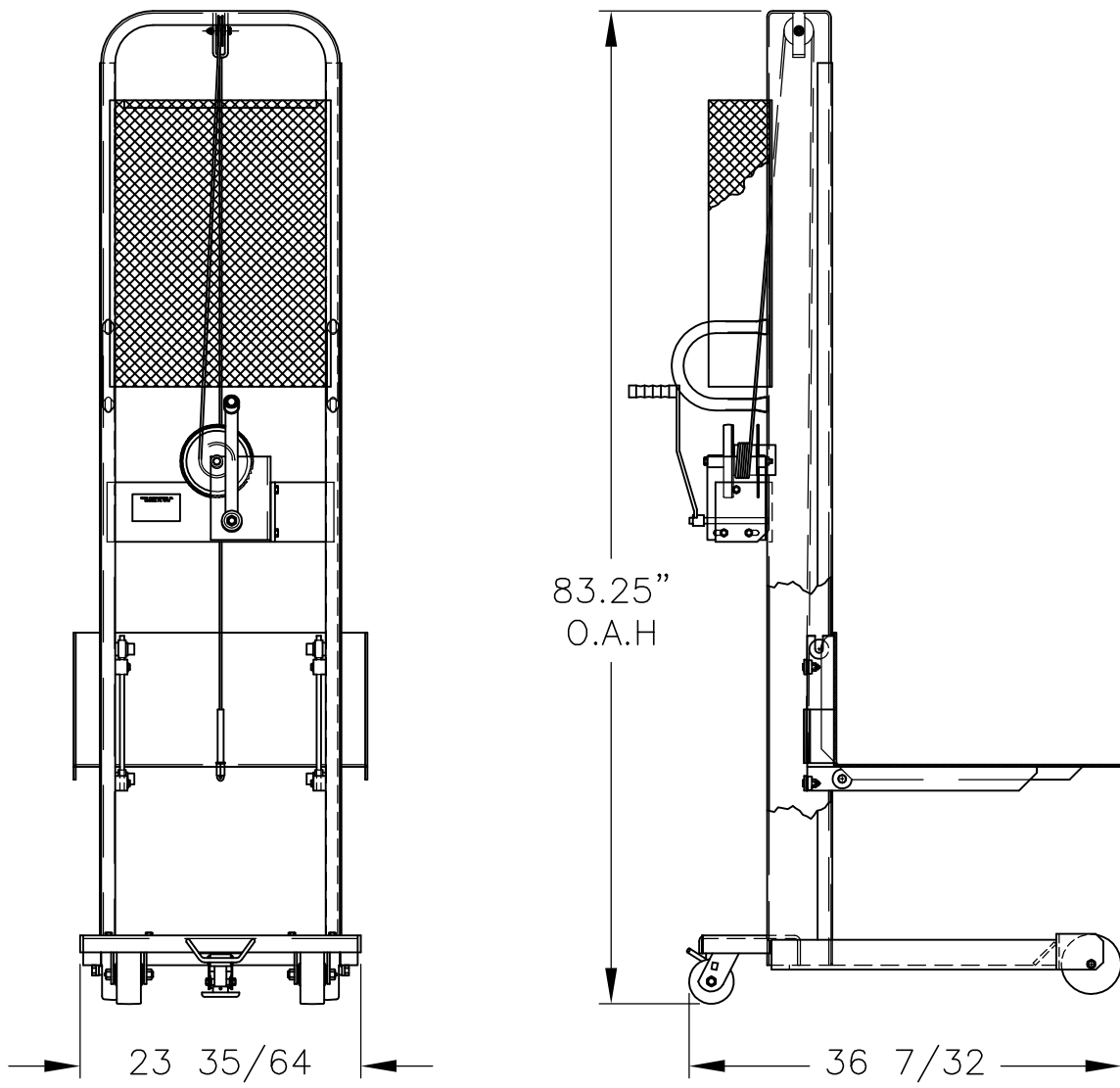


270214

Replacement Parts List

1	150001	FLOOR LOCK	1
2	053769	WHEEL: 5X2 PHEN.	2
3	108517	ROLLER: PLATFORM MAG.	4
4	054265	CASTER: SWIV. 4X2	2
5	108519	BALL BEARING	4
6	108262	BOX: KIT	1
7	151295	WINCH: BRAKE (2000#)	1
8	054133	ASS'Y: SHEAVE	1
9	120438	ROPE: WIRE 3/16	11.83

P/N 270214
 Model: SWPL-68-2424
 Lift Height: 70"
 O.A.H 83.25"
 Weight: 239 lbs
 Capacity: 1,000 lbs
 Platform: 24 x 24
 Boxed: Yes



"S" STANDARD AND "E" CONOMY LINE FORK MODEL HYDRAULIC STACKERS

- Floor locks, safety screen and foot guard are standard on all models.
- Forks touch the floor on all fork models.
- Front phenolic wheels are 5" diameter.
- Rear Phenolic swivel casters are 4" diameter.
- Hydraulic jack manufactured by WESCO in U.S.A
- Frame and lift heights vary among models.
- "S" tandard line features one piece platform guide rail.
- "E" conomy line offers an economical price value.

Winch Stacker

- Heavy duty winch with auto brake.

THIS DRAWING IN ALL PARTICULARS IS WESCO INDUSTRIAL PRODUCTS INC. PROPERTY. ALL RIGHTS OF DESIGN, INVENTION OR USE OF ARE RESERVED.

PRINT ISSUED
 DEC 15, 2006
 WESCO MANUFACTURING
 ENGINEERING DEPARTMENT

APP	WESCO INDUSTRIAL PRODUCTS INC.	
	LANSDALE	PENNA. 19446
ECN & DATE	PART NAME	DRAWN: WEW 10-16-98
	SWPL-68-2424	CHECKED:
REVISIONS	TOLERANCE UNLESS OTHERWISE SPECIFIED	
	FRACTION	3 PLACE DECIMAL 2 PLACE DECIMAL
	± 1/64 ± .005 ± .01	
	ANGULAR ± 1-1/2'	SHEET 1 OF 1
REV.	BREAK ALL SHARP EDGES AND REMOVE ALL BURRS	

B-270214 REV