

POWER LIFT TABLES

Features:

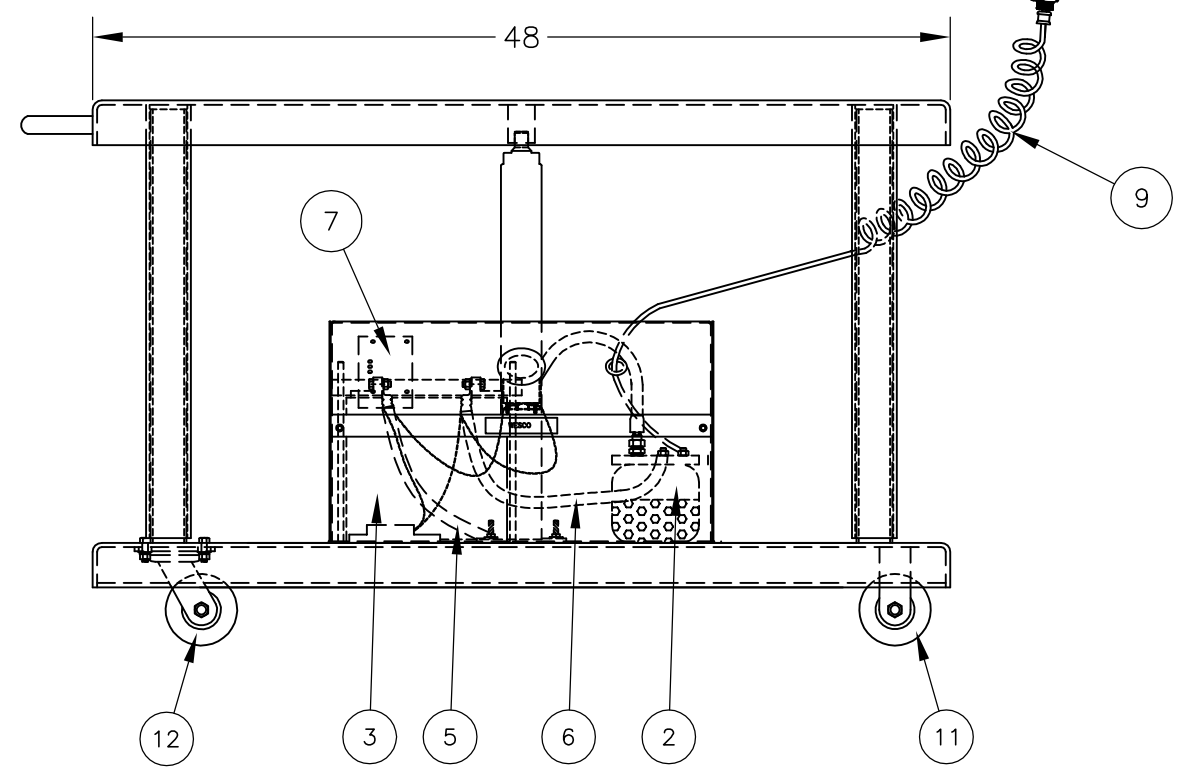
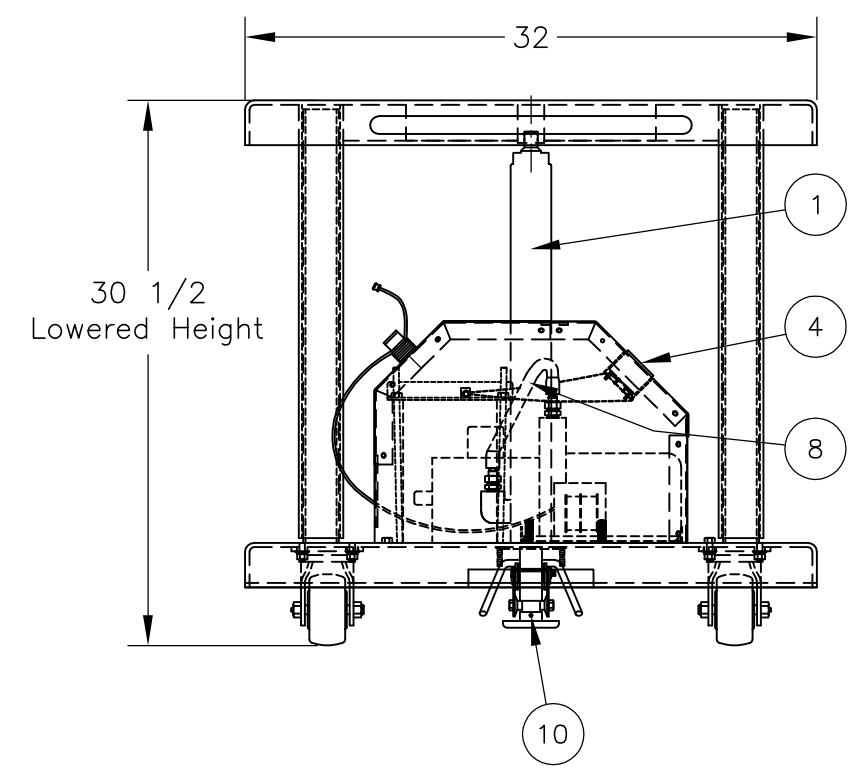
- Up to 6,000 lbs capacity.
- Standard floor lock holds table steady for loading and unloading.
- Easy to read illuminated battery status voltmeter.
- Three light LED battery charge status indicator.
- With a minimally charged battery, unit can be used while recharging.

Model: **PLTL-20-3248**
 Table Size: 32" x 48"
 Lowered Ht: 30.5"
 Raised Ht: 47.5"
 Caster Size: 4"
 Capacity: 2,000 lbs
 Weight: 462 lbs

REPLACEMENT PARTS LIST

1	051178	JACK: ASS'Y (23")	1
2	109111	PUMP: HYDRAULIC, 12V, HORZ.	1
3	109102	BATTERY	1
4	109104	VOLTMETER	1
5	052777	ASS'Y: BATTERY (-)	1
6	052778	ASS'Y: BATTERY (+)	1
7	052762	BATTERY CHARGER	1
8	125828	HYDRAULIC HOSE	1
9	052726	SUB-ASS'Y: REMOTE CONTROL	1
10	150001	FLOOR LOCK	1
11	053768	WHEELS	2
12	054265-1	CASTER	2
* 13	050725	SEAL KIT	1

* NOT SHOWN



THIS DRAWING IN ALL PARTICULARS IS WESCO INDUSTRIAL PRODUCTS INC. PROPERTY. ALL RIGHTS OF DESIGN, INVENTION OR USE OF ARE RESERVED.

PRINT ISSUED
 MAY 16, 2006
 WESCO MANUFACTURING
 ENGINEERING DEPARTMENT

APP. REV. EDN & DATE REVISIONS	WESCO INDUSTRIAL PRODUCTS INC.		LANSDALE PENNA. 19446	
	PART NAME		DRAWN: KL 03-03-02	
	PLTL-20-3248		CHECKED: PS 03-05-02	
	TOLERANCE UNLESS OTHERWISE SPECIFIED		APP. ENGR.	
FRACTION		3 PLACE DECIMAL	2 PLACE DECIMAL	SCALE: 1" = 7"
± 1/64		± .005	± .01	
ANGULAR ± 1-1/2'		SHEET 1 OF 1		C-261101 REV
BREAK ALL SHARP EDGES AND REMOVE ALL BURRS				