

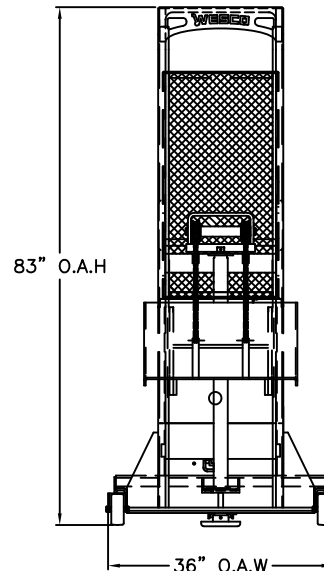
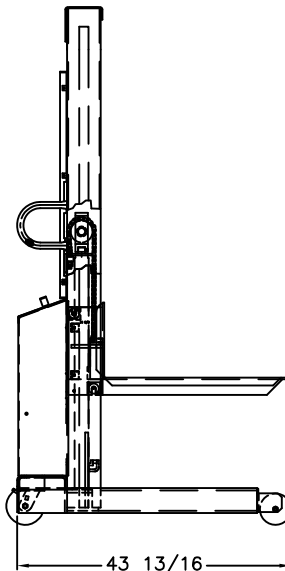
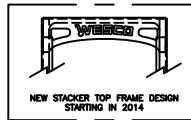
POWERED STACKERS

Features:

- Adjustable base legs available on fork models.
- Fixed platforms 24x24, 24x27, 30x32
- Reinforced frame and base.
- Double chain, lift support.
- Heavy-duty pump.
- Ergonomic "D" handles.
- 110V AC models available.

FIXED PLATFORM MODELS

Model: PSPL-68-3032-30S-2K
 Lift Height: 68"
 O.A.H: 83"
 Weight: 451
 Capacity: 2,000 lbs
 Load Center: 18"
 Platform LxW: 30" x 32"
 Base Leg ID/OD: 30"/36"

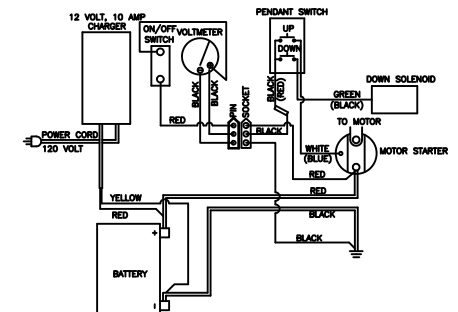


**2,000 LBS POWER STACKER PARTS LIST
64"/68" LIFT**

1	051180	HYDRAULIC CYLINDER	1
2	109101	POWER UNIT	1
3	109099	BATTERY	1
4	109104	VOLTMETER	1
5	052779	BATTERY CABLE (NEG.)	1
6	052780	BATTERY CABLE (POS.)	1
7	109150	BATTERY CHARGER	1
8	125824	HYDRAULIC HOSE	1
9	052726	REMOTE CONTROL ASS'Y	1
10	109325	SWITCH	1
11	050782	LIFT CHAIN ASS'Y	2
12	050776	ROLLER CARRIER ASS'Y	2
13	052010	FLOOR LOCK	1
14	053769	WHEEL	2
15	150024	CASTER	2
16	109117	SOLENOID	1

HYDRAULIC CYLINDER PARTS LIST

17	051073	CYLINDER	1
18	051044	PISTON	1
19	050006	CYLINDER CAP	1
20	220171	SEAL KIT	1



WIRING DIAGRAM

THIS DRAWING IN ALL PARTICULARS IS WESCO INDUSTRIAL PRODUCTS INC. PROPERTY. ALL RIGHTS OF DESIGN, INVENTION OR USE OF ARE RESERVED.

PRINT ISSUED

OTC. 16, 2006

WESCO MANUFACTURING
ENGINEERING DEPARTMENT

APP	WESCO INDUSTRIAL PRODUCTS INC.		NORTH WALES PENNA. 19454	
	PART NAME		DRAWN: KL 08-07-01	
REV.	PSPL-68-3032-30S-2K		CHECKED: PS 08-16-01	
	TOLERANCE UNLESS OTHERWISE SPECIFIED		APP. ENGR.	
	FRACTION	3 PLACE DECIMAL	2 PLACE DECIMAL	SCALE: 1" = 20"
	± 1/64	± .005	± .01	B-261057
	ANGULAR ± 1-1/2'	SHEET 1 OF 2	REV	
BREAK ALL SHARP EDGES AND REMOVE ALL BURRS				