

POWERED STACKER 1,000 LBS

- Remote control, floor lock, and safety screen are standard on all models.
- With a minimally charged battery, unit can be used while recharging.
- Three light LED charge status indicator - No extra cost.
- Easy to read illuminated battery status voltmeter - No extra cost.

COUNTER-BALANCED FORK MODELS

- Loading and unloading trucks.
- Positioning dies.
- Feeding material to presses.
- 25" long forks.
- Order enough weight kits for your planned load.
- AC models not available.

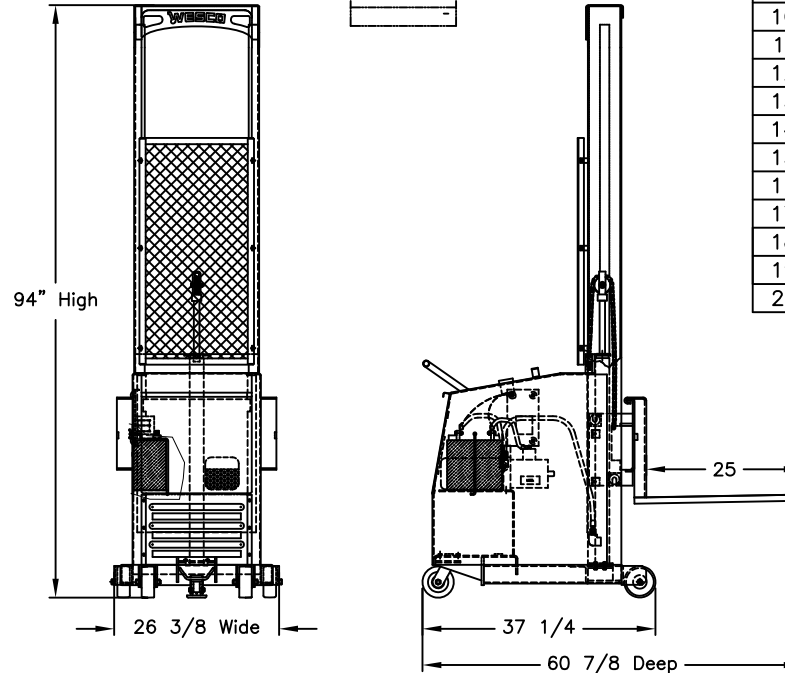
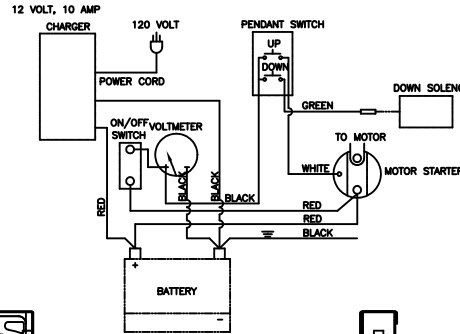
P/N 261039

Model: PCBFL-76-25
 Lift Height: 76"
 O.A.H 94"
 Weight: 559 lbs.
 Capacity: 1,000 lbs.
 Load Center: 13"

* Counterweights are not included and must be installed prior to use.
 Order Required Counterweight Kit for your load.

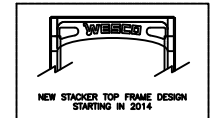
P/N: 261043
 Stacker Load: 600 lbs.
 Capacity: 1000 lbs.

WIRING DIAGRAM



**REPLACEMENT PARTS LIST
76"/80" LIFT**

ITEM	P/N	DESCRIPTION	QTY
1	051163	76/80" HYD. CYLINDER	1
2	109111	POWER UNIT	1
3	109102	BATTERY	1
4	109104	VOLTMETER	1
5	052769	BATTERY CABLE (NEG.)	1
6	052770	BATTERY CABLE (POS.)	1
7	109114	BOARD: INDICATOR LIGHT	1
8	109150	BATTERY CHARGER	1
9	125827	HYDRAULIC HOSE	1
10	052726	REMOTE CONTROL ASS'Y	1
11	109325	SWITCH	1
12	050772	76/80" LIFT CHAIN ASS'Y	1
13	260143	ROLLER CARRIER ASS'Y	1
14	150001	FLOOR LOCK	1
15	051397	SHIM: FLOOR LOCK	1
16	053769	WHEEL, 5x2 PHENOLIC	2
17	054267	CASTER, 5x2 PHENOLIC	2
18	109117	SOLENOID	1
19	108517	ROLLER: MAG PLATFORM	4
20	220170	SEAL KIT	1



THIS DRAWING IN ALL PARTICULARS IS WESCO INDUSTRIAL PRODUCTS INC. PROPERTY. ALL RIGHTS OF DESIGN, INVENTION OR USE OF ARE RESERVED.

PRINT ISSUED

APR. 02, 2007

WESCO MANUFACTURING
ENGINEERING DEPARTMENT

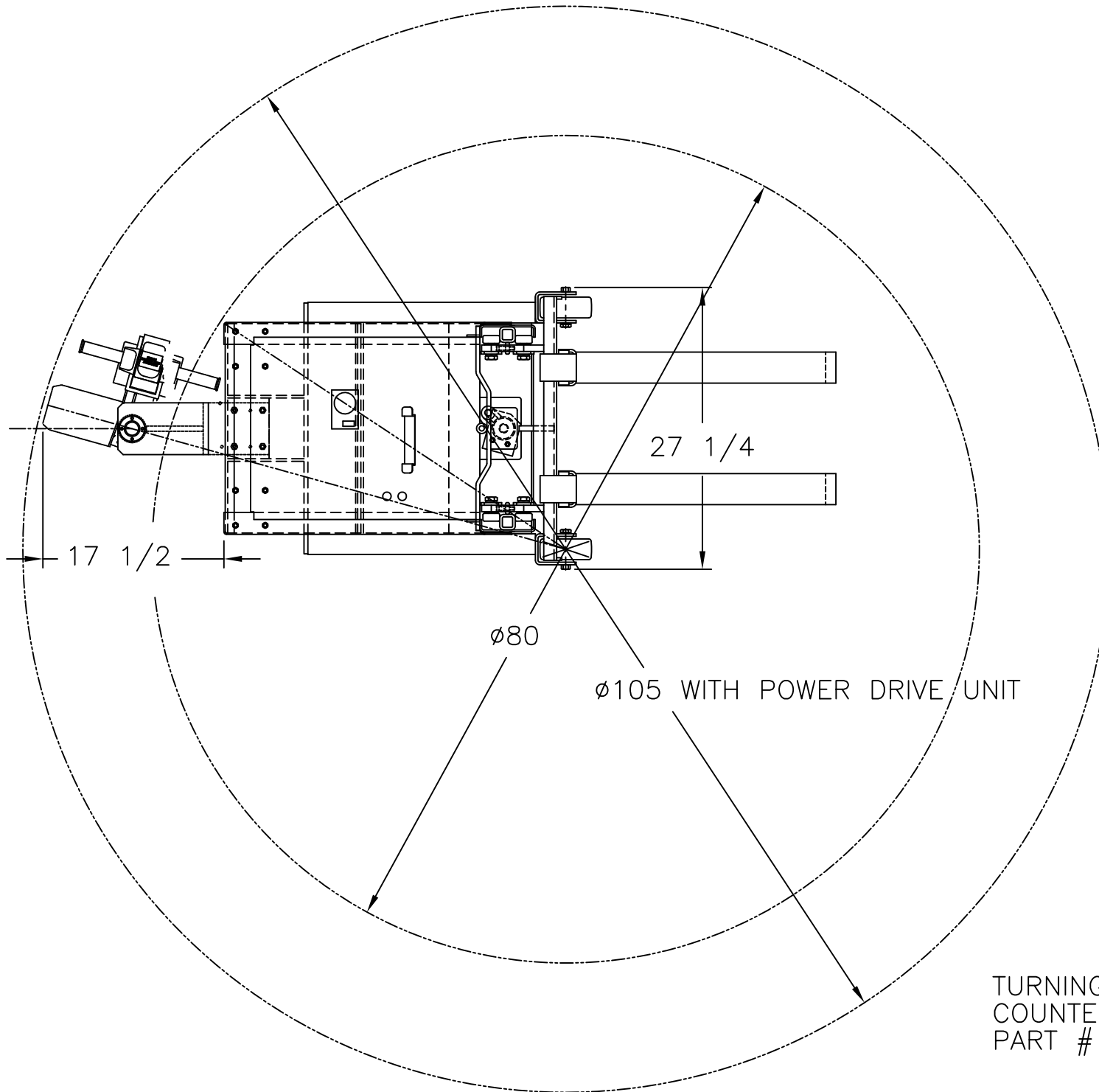
WESCO INDUSTRIAL PRODUCTS INC.
NORTH WALES PENNA. 19454

PART NAME
PCBFL-76-25

TOLERANCE UNLESS OTHERWISE SPECIFIED
 FRACTION 3 PLACE DECIMAL 2 PLACE DECIMAL
 ± 1/64 ± .005 ± .01

ANGULAR ± 1-1/2" SHEET 1 OF 1
 BREAK ALL SHARP EDGES AND REMOVE ALL BURRS

DRAWN:
 CHECKED:
 APP. ENGR.
 SCALE: 1" = 20"
B- 261039 REV



TURNING CIRCLE
COUNTER-BALANCE STACKERS
PART # 261037/261039

P. SPENCER 09-16-2008