

POWERED STACKER 1,000 LBS

- Remote control, floor lock, and safety screen are standard on all models.
- With a minimally charged battery, unit can be used while recharging.
- Three light LED charge status indicator - No extra cost.
- Easy to read illuminated battery status voltmeter - No extra cost.

COUNTER-BALANCED FORK MODELS

- Loading and unloading trucks.
- Positioning dies.
- Feeding material to presses.
- 25" long forks.
- Order enough weight kits for your planned load.
- AC models not available.

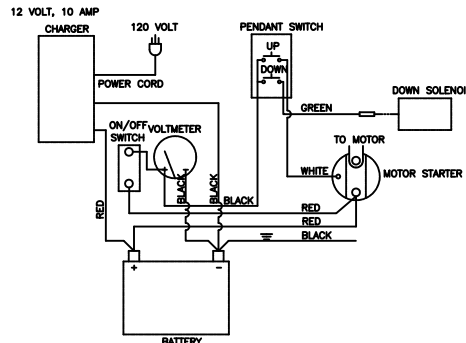
P/N 261038

Model: PCBFL-64-25
 Lift Height: 64"
 O.A.H 83"
 Weight: 530 lbs.
 Capacity: 1,000 lbs.
 Load Center: 13"

* Counterweights are not included and must be installed prior to use.
 Order Required Counterweight Kit for your load.

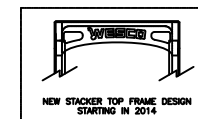
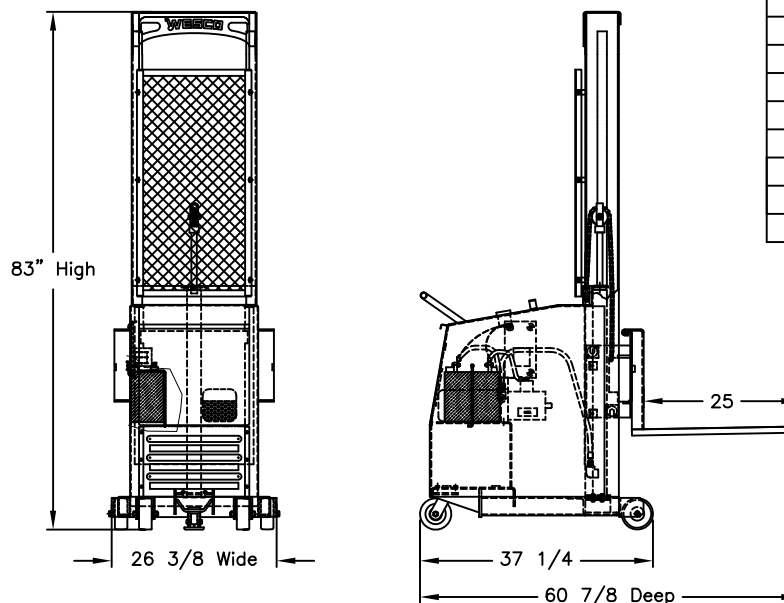
P/N: 261042
 Stacker Load: 400 lbs.
 Capacity: 668 lbs.

WIRING DIAGRAM



**REPLACEMENT PARTS LIST
64"/68" LIFT**

| ITEM | P/N | DESCRIPTION | QTY |
|------|--------|------------------------|-----|
| 1 | 051164 | 64/68" HYD. CYLINDER | 1 |
| 2 | 109111 | POWER UNIT | 1 |
| 3 | 109102 | BATTERY | 1 |
| 4 | 109104 | VOLTMETER | 1 |
| 5 | 052769 | BATTERY CABLE (NEG.) | 1 |
| 6 | 052770 | BATTERY CABLE (POS.) | 1 |
| 7 | 109114 | BOARD: INDICATOR LIGHT | 1 |
| 8 | 052762 | BATTERY CHARGER | 1 |
| 9 | 125827 | HYDRAULIC HOSE | 1 |
| 10 | 052726 | REMOTE CONTROL ASS'Y | 1 |
| 11 | 109325 | SWITCH | 1 |
| 12 | 050771 | LIFT CHAIN ASS'Y | 1 |
| 13 | 260143 | ROLLER CARRIER ASS'Y | 1 |
| 14 | 150001 | FLOOR LOCK | 1 |
| 15 | 051397 | SHIM: FLOOR LOCK | 1 |
| 16 | 053769 | WHEEL, 5x2 PHENOLIC | 2 |
| 17 | 054267 | CASTER, 5x2 PHENOLIC | 2 |
| 18 | 109117 | SOLENOID | 1 |
| 19 | 108517 | ROLLER: MAG PLATFORM | 4 |
| 20 | 220170 | SEAL KIT | 1 |



THIS DRAWING IN ALL PARTICULARS IS WESCO INDUSTRIAL PRODUCTS INC. PROPERTY. ALL RIGHTS OF DESIGN, INVENTION OR USE OF ARE RESERVED.

PRINT ISSUED

APR. 02, 2007

WESCO MANUFACTURING
ENGINEERING DEPARTMENT

WESCO INDUSTRIAL PRODUCTS INC.
NORTH WALES PENNA. 19454

PART NAME
PCBFL-64-25

TOLERANCE UNLESS OTHERWISE SPECIFIED

FRACTION 3 PLACE DECIMAL 2 PLACE DECIMAL

± 1/64 ± .005 ± .01

ANGULAR ± 1-1/2° SHEET 1 OF 1

BREAK ALL SHARP EDGES AND REMOVE ALL BURRS

DRAWN:

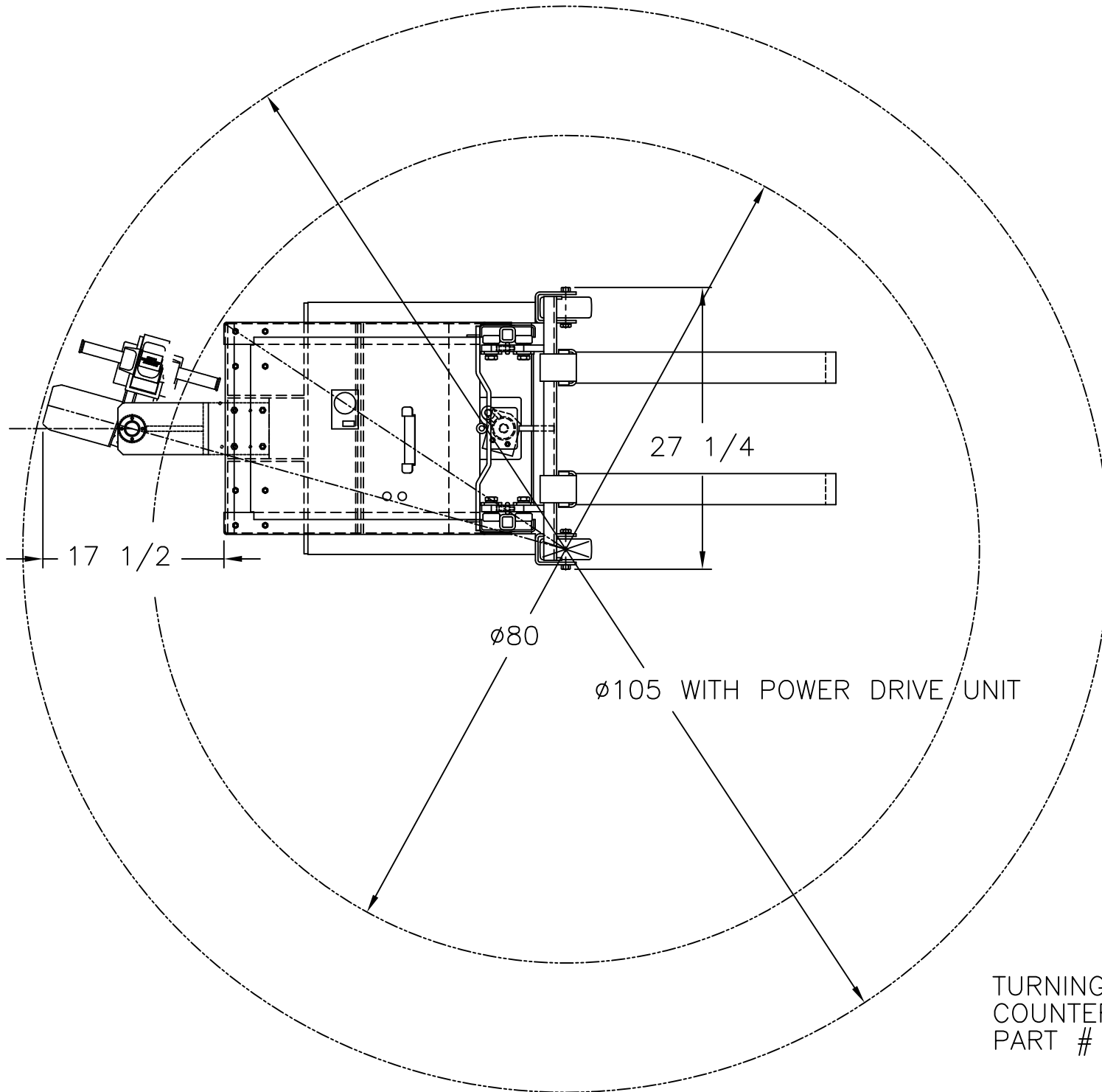
CHECKED:

APP. ENGR.

SCALE: 1" = 20"

B- 261038

REV. REVISIONS
APP. ENGR. & DATE



TURNING CIRCLE
COUNTER-BALANCE STACKERS
PART # 261037/261039

P. SPENCER 09-16-2008