

261035

**POWERED STACKER 1,000 LBS**

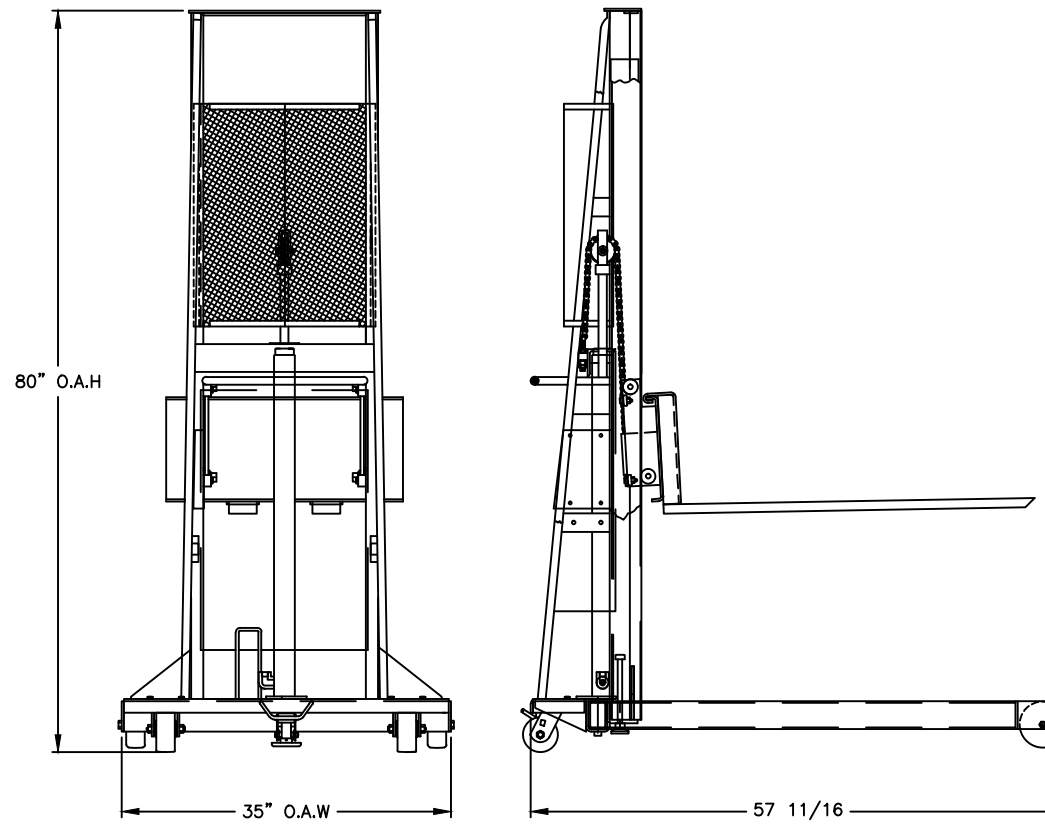
Features:

- Remote control, floor lock, and safety screen are standard on all models.
- With a minimally charged battery, unit can be used while recharging.
- Three light LED charge status indicator - No extra cost.
- Easy to read illuminated battery status voltmeter - No extra cost.
- 12V DC battery or 110V AC units available.

**ADJUSTABLE SPAN STRADDLE MODEL**

- Extra deep (40") straddle legs and forks for lifting pallets.
- Versatile adjustable span straddle legs can be set from 34" to 50" inside dimension to handle most standard pallets.

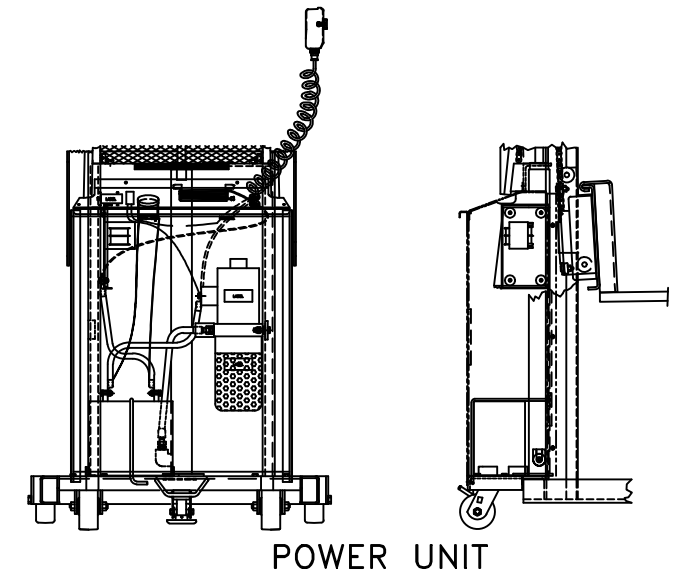
Model: **PASFL-64-40S**  
 Lift Height: 64"  
 O.A.H: 80"  
 Weight: 518 lbs  
 Leg ID/OD: 34" TO 50"  
 Capacity: 1,000 lbs  
 Load Center: 20"



POWER-LIFT STACKER PARTS LIST 64"/68" LIFT			
1	051164	HYDRAULIC CYLINDER	1
2	109101	POWER UNIT	1
3	109102	BATTERY	1
4	109104	VOLTMETER	1
5	052769	BATTERY CABLE (NEG.)	1
6	052770	BATTERY CABLE (POS.)	1
7	109114	BOARD: INDICATOR LIGHT	1
8	052762	BATTERY CHARGER	1
9	125824	HYDRAULIC HOSE	1
10	052726	REMOTE CONTROL ASS'Y	1
11	109325	SWITCH	1
12	050771	LIFT CHAIN ASS'Y	1
13	260143	ROLLER CARRIER ASS'Y	1
14	150001	FLOOR LOCK	1
15	053769	WHEEL	2
16	054265	CASTER	2
17	109117	SOLENOID	1

HYDRAULIC CYLINDER PARTS LIST			
18	051193	CYLINDER	1
19	051196	PISTON	1
20	051198	CYLINDER CAP	1
21	220170	SEAL KIT	1



THIS DRAWING IN ALL PARTICULARS IS WESCO INDUSTRIAL PRODUCTS INC. PROPERTY. ALL RIGHTS OF DESIGN, INVENTION OR USE OF ARE RESERVED.

**PRINT ISSUED**  
 OTC. 16, 2006  
 WESCO MANUFACTURING  
 ENGINEERING DEPARTMENT

APP ECN & DATE REVISIONS REV.	<b>WESCO INDUSTRIAL PRODUCTS INC.</b> LANSDALE PENNA. 19446	
	PART NAME <h2 style="text-align: center;">PASFL-64-40S</h2>	
	TOLERANCE UNLESS OTHERWISE SPECIFIED FRACTION      3 PLACE DECIMAL      2 PLACE DECIMAL ± 1/64            ± .005                    ± .01	
	ANGULAR ± 1-1/2'      SHEET 1 OF 2 BREAK ALL SHARP EDGES AND REMOVE ALL BURRS	
		DRAWN: KL 08-07-01 CHECKED: PS 08-16-01 APP. ENGR. SCALE: 1" = 20" <h2 style="font-size: 1.5em;">B-261035</h2>