

POWERED STACKER 1,000 LBS

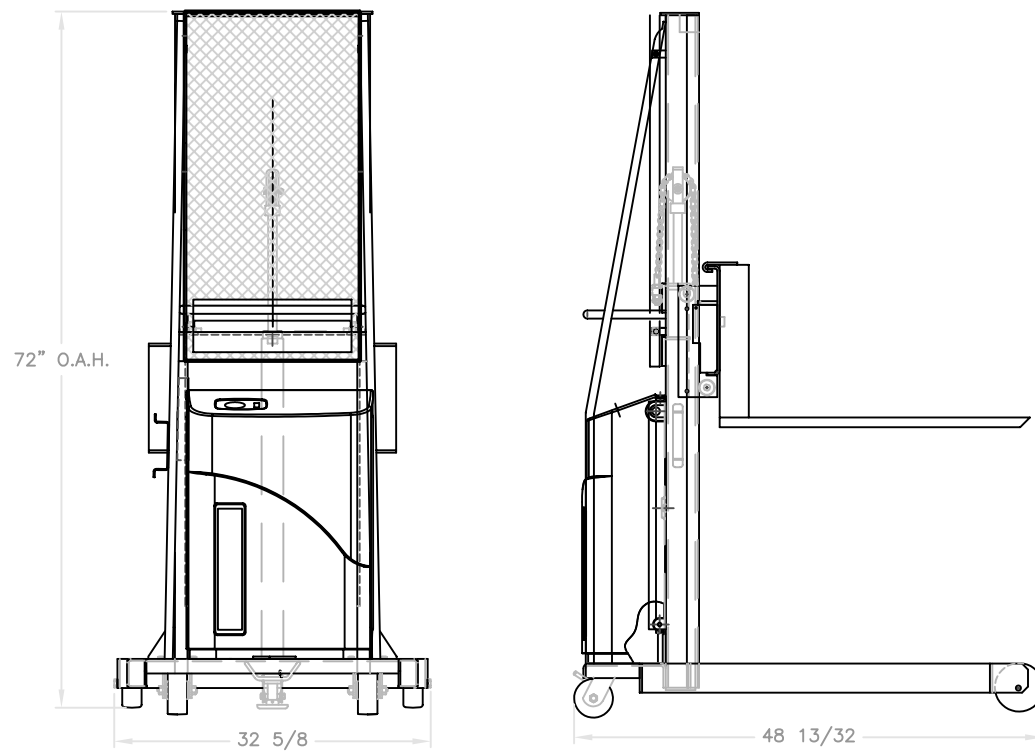
Features:

- Remote control, floor lock, and safety screen are standard on all models.
- With a minimally charged battery, unit can be used while recharging.
- Easy to read illuminated battery status voltmeter - No extra cost.
- 12V DC battery or 110V AC units available.

STRADDLE FORK MODELS

- Forks lower to floor on all models.
- 5" phenolic wheels on front, 4" swivel on rear.

Model: PESFL-56-30S
 Lift Height: 56"
 O.A.H 72"
 Weight: 475 lbs
 Leg ID/OD: 25.5"/32"
 Capacity: 1,000 lbs.
 Load Center: 18"

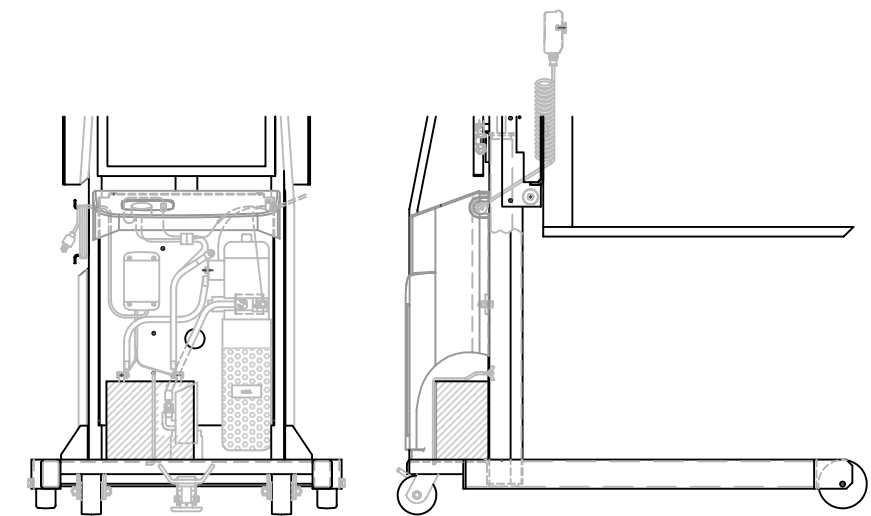


POWER-LIFT STACKER PARTS LIST
56"/60" LIFT

1	051166	HYDRAULIC CYLINDER	1
2	109101	POWER UNIT	1
3	109102	BATTERY	1
4	109104	VOLTMETER	1
5	052779	BATTERY CABLE (NEG.)	1
6	052780	BATTERY CABLE (POS.)	1
7	109150	BATTERY CHARGER	1
8	125824	HYDRAULIC HOSE	1
9	052726	REMOTE CONTROL ASS'Y	1
10	109325	SWITCH	1
11	050771	LIFT CHAIN ASS'Y	1
12	260143	ROLLER CARRIER ASS'Y	1
13	150001	FLOOR LOCK	1
14	053769	WHEEL	2
15	054265	CASTER	2
16	109117	SOLENOID	1

HYDRAULIC CYLINDER PARTS LIST

17	051074	CYLINDER	1
18	051197	PISTON	1
19	051198	CYLINDER CAP	1
20	220170	SEAL KIT	1



POWER UNIT

THIS DRAWING IN ALL PARTICULARS IS WESCO INDUSTRIAL PRODUCTS INC. PROPERTY. ALL RIGHTS OF DESIGN, INVENTION OR USE OF ARE RESERVED.

PRINT ISSUED

DEC 06 2007

WESCO MANUFACTURING
ENGINEERING DEPARTMENT

WESCO INDUSTRIAL PRODUCTS INC.

LANSDALE

PENNA. 19446

PART NAME

PESFL-56-30S

DRAWN: KL 08-07-01

CHECKED: PS 08-16-01

APP. ENGR.

TOLERANCE UNLESS OTHERWISE SPECIFIED

FRACTION 3 PLACE DECIMAL 2 PLACE DECIMAL

± 1/64 ± .005 ± .01

ANGULAR ± 1-1/2' SHEET 1 OF 2

BREAK ALL SHARP EDGES AND REMOVE ALL BURRS

SCALE: 1" = 20"

B- 261031

REV

APP
ECN & DATE
REVISIONS
REV.