

261030

POWERED STACKER 1,000 LBS

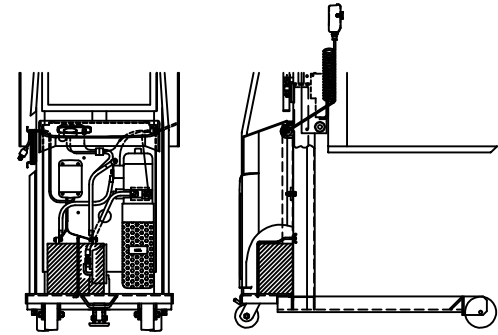
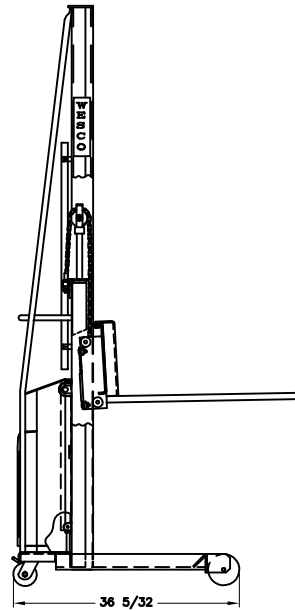
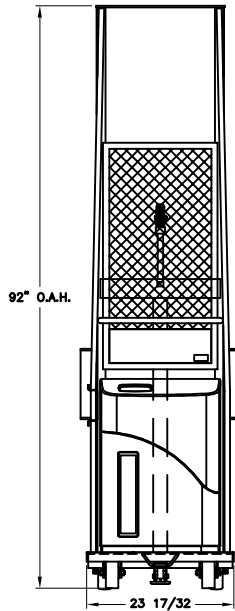
Features:

- Remote control, floor lock, and safety screen are standard on all models.
- With a minimally charged battery, unit can be used while recharging.
- Easy to read illuminated battery status voltmeter - No extra cost.
- 12V DC battery or 110V AC units available.

FORK MODELS

- Forks lower to floor on all models.
- 5" phenolic wheels on front, 4" swivel on rear.

Model: PESFL-76-25  
 Lift Height: 76"  
 O.A.H 92"  
 Weight: 489 lbs.  
 Leg ID/OD: 15"/21"  
 Capacity: 1,000 lbs.  
 Load Center: 15"



POWER-LIFT STACKER PARTS LIST  
76"/80" LIFT

1	051163	HYDRAULIC CYLINDER	1
2	109101	POWER UNIT	1
3	109102	BATTERY	1
4	109104	VOLTMETER	1
5	052779	BATTERY CABLE (NEG.)	1
6	052780	BATTERY CABLE (POS.)	1
8	109150	BATTERY CHARGER	1
9	125824	HYDRAULIC HOSE	1
10	052726	REMOTE CONTROL ASS'Y	1
11	109325	SWITCH	1
12	050772	LIFT CHAIN ASS'Y	1
13	260143	ROLLER CARRIER ASS'Y	1
14	150001	FLOOR LOCK	1
15	053769	WHEEL	2
16	054265	CASTER	2
17	109117	SOLENOID	1

HYDRAULIC CYLINDER PARTS LIST

18	051072	CYLINDER	1
19	051195	PISTON	1
20	051198	CYLINDER CAP	1
21	220170	SEAL KIT	1

POWER UNIT

THIS DRAWING IN ALL PARTICULARS IS WESCO INDUSTRIAL PRODUCTS INC. PROPERTY. ALL RIGHTS OF DESIGN, INVENTION OR USE OF ARE RESERVED.

PRINT ISSUED

DEC 06 2007

WESCO MANUFACTURING  
ENGINEERING DEPARTMENT

REV.	WESCO INDUSTRIAL PRODUCTS INC. LANSDALE PENNA. 19446	
	PART NAME <b>PESFL-76-25</b>	
	TOLERANCE UNLESS OTHERWISE SPECIFIED	
	FRACTION 3 PLACE DECIMAL 2 PLACE DECIMAL ± 1/64 ± .005 ± .01	
REVISIONS	DRAWN: KL 08-07-01	
	CHECKED: PS 08-16-01	
ECN & DATE	APP. ENGR.	
	SCALE: 1" = 20"	
APP	B- 261030 REV	