

261028

POWERED STACKER 1,000 LBS

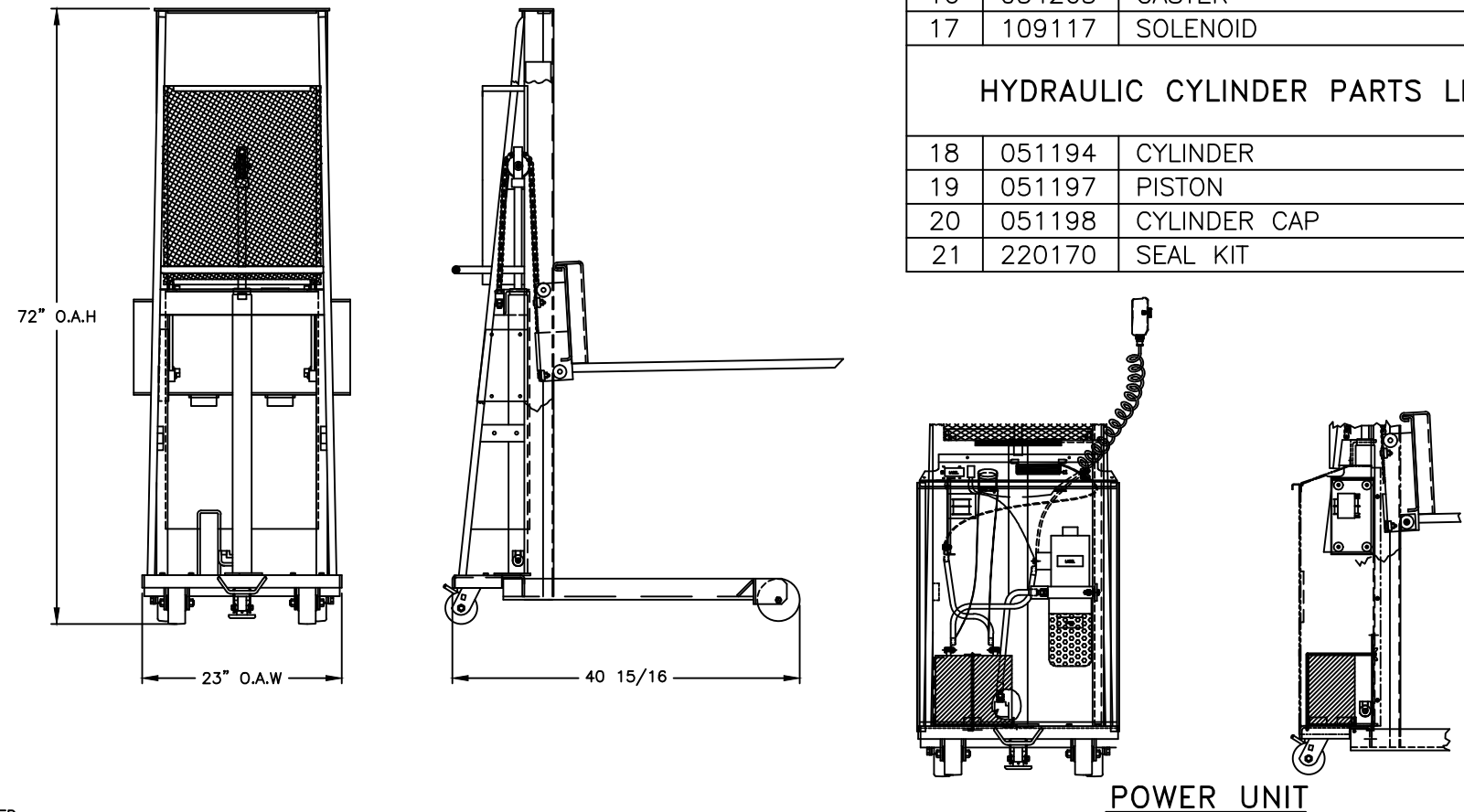
Features:

- Remote control, floor lock, and safety screen are standard on all models.
- With a minimally charged battery, unit can be used while recharging.
- Three light LED charge status indicator - No extra cost.
- Easy to read illuminated battery status voltmeter - No extra cost.
- 12V DC battery or 110V AC units available.

FORK MODELS

- Forks lower to floor on all models.
- 5" phenolic wheels on front, 4" swivel on rear.

Model: PESFL-56-25
 Lift Height: 56"
 O.A.H: 72"
 Weight: 452 lbs.
 Leg ID/OD: 15"/21"
 Capacity: 1,000 lbs.
 Load Center: 15"



**POWER-LIFT STACKER PARTS LIST
56"/60" LIFT**

1	051166	HYDRAULIC CYLINDER	1
2	109101	POWER UNIT	1
3	109102	BATTERY	1
4	109104	VOLTMETER	1
5	052769	BATTERY CABLE (NEG.)	1
6	052770	BATTERY CABLE (POS.)	1
7	109114	BOARD: INDICATOR LIGHT	1
8	052762	BATTERY CHARGER	1
9	125824	HYDRAULIC HOSE	1
10	052726	REMOTE CONTROL ASS'Y	1
11	109325	SWITCH	1
12	050771	LIFT CHAIN ASS'Y	1
13	260143	ROLLER CARRIER ASS'Y	1
14	150001	FLOOR LOCK	1
15	053769	WHEEL	2
16	054265	CASTER	2
17	109117	SOLENOID	1

HYDRAULIC CYLINDER PARTS LIST

18	051194	CYLINDER	1
19	051197	PISTON	1
20	051198	CYLINDER CAP	1
21	220170	SEAL KIT	1

THIS DRAWING IN ALL PARTICULARS IS WESCO INDUSTRIAL PRODUCTS INC. PROPERTY. ALL RIGHTS OF DESIGN, INVENTION OR USE OF ARE RESERVED.

PRINT ISSUED

OTC. 16, 2006

WESCO MANUFACTURING
ENGINEERING DEPARTMENT

WESCO INDUSTRIAL PRODUCTS INC.
 LANSDALE PENNA. 19446

PART NAME	PESFL-56-25		DRAWN: KL 08-07-01
			CHECKED: PS 08-16-01
TOLERANCE UNLESS OTHERWISE SPECIFIED			APP. ENGR.
FRACTION	3 PLACE DECIMAL	2 PLACE DECIMAL	SCALE: 1" = 20"
± 1/64	± .005	± .01	
ANGULAR ± 1-1/2'	SHEET 1	OF 2	B-261028 REV
BREAK ALL SHARP EDGES AND REMOVE ALL BURRS			