

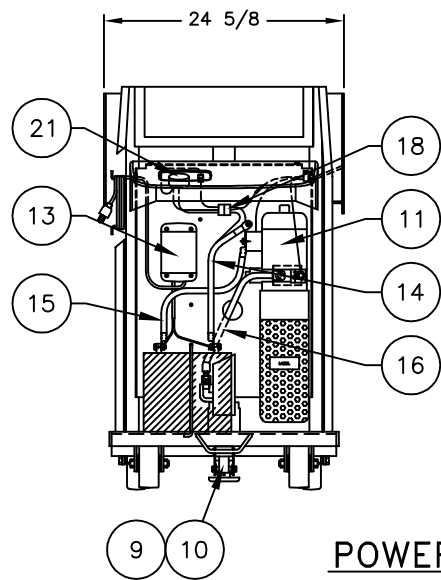
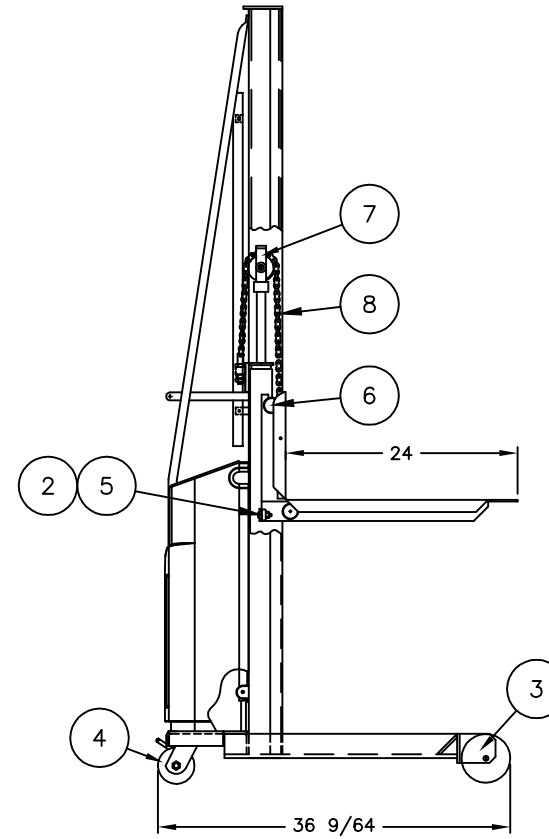
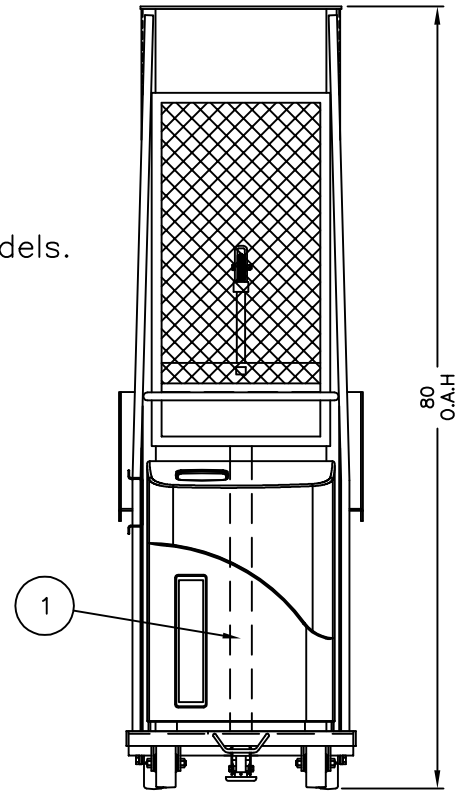
POWERED STACKER 1,000 LBS

- Remote control, floor lock, and safety screen are standard on all models.
- With a minimally charged battery, unit can be used while recharging.
- Easy to read illuminated battery status voltmeter - No extra cost.
- 12V DC battery or 110V AC units available.

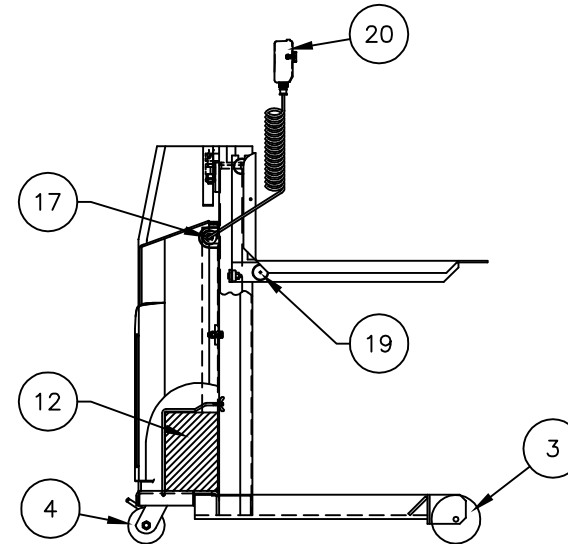
PLATFORM MODELS

- 24" X 24" OR 30" X 32" Platform size L X W
- 5" phenolic wheels on front, 4" phenolic swivel casters on rear.
- 110V AC models available.

Model: PESPL-68-2424  
 Lift Height: 68"  
 O.A.H: 80"  
 Weight: 428 lbs.  
 Leg ID/OD: 15"/21"  
 Capacity: 1,000 lbs.  
 Load Center: 15"



POWER UNIT



BILL OF MATERIAL

ITEM	PART NO.	DESCRIPTION	QTY.
1	051164	JACK: 64/68" ASSEMBLY	1
2	051429	ANGLE, SLIDE ROLLER	4
3	053769	WHEEL ASSEMBLY	2
4	054265	SWIVEL CASTER	2
5	108519	BALL BEARING, RADIAL	4
6	108517	ROLLER, MAG PLATFORM	4
7	260143	KIT: ROLLER CARRIER	1
	108967	CHAIN ROLLER	1
	050338	WELDMENT: ROLLER CARRIER	1
8	050771	ASS'Y: CHAIN 56,60,64,68	1
	108503	CHAIN: #520 RIVETED	1
	051459	STUD	1
	108502	LINK	2
9	150001	FLOOR LOCK (CUSTOM)	1
10	051397	SHIM: FLOOR LOCK	1
11	109101	PUMP: HYD., 12V , VERT.	1
12	109102	BATTERY: SEALED	1
13	052762	CHARGER: BATTERY (OLD)	1
	109150	CHARGER: BATTERY (NEW)	1
14	052779	ASSY: BATTERY CABLE (-) 12"	1
15	052780	ASSY: BATTERY CABLE (+) 19"	1
16	125824	HOSE: HYD. 1/4" W/ FITTING	1
17	109081	GROMMET: RUBBER	2
18	055496	SUB-ASS'Y: WIRING HARNESS	1
19	052767	GUARD: RH/LH ROLLER	2
20	052726	SUB-ASS'Y: REMOTE CONTROL	1
21	055495	SUB-ASS'Y: PLASTIC COVER	1
	170528	PLASTIC COVER	1
	109104	GAUGE	1
	109325	SWITCH	1
*	22	050726 SEAL KIT (WELDED CYL.)	1
*	23	220170 SEAL KIT (THREADED CYL.)	1

\* NOT SHOWN

PRINT ISSUED

FEB 18 2008

WESCO MANUFACTURING  
ENGINEERING DEPARTMENT

WESCO INDUSTRIAL PRODUCTS INC.

LANSDALE

PENNA. 19446

PART NAME

PESPL-68-2424

DRAWN: KL 08-07-01

CHECKED: PS 08-16-01

APP. ENGR.

TOLERANCE UNLESS OTHERWISE SPECIFIED

FRACTION 3 PLACE DECIMAL 2 PLACE DECIMAL

± 1/64 ± .005 ± .01

ANGULAR ± 1-1/2' SHEET 1 OF 2

BREAK ALL SHARP EDGES AND REMOVE ALL BURRS

SCALE: 1" = 16"

B- 261023

REV Y

APP  
ECN & DATE  
REV.

REVISIONS