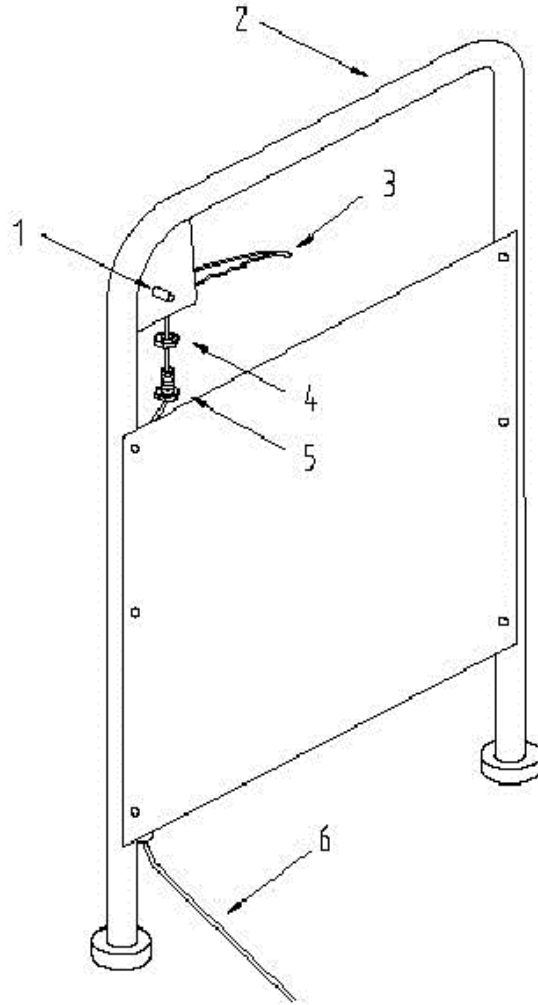


260208



REPLACEMENT PARTS LIST

ITEM	PART NO.	DESCRIPTION	QTY.
1		SPRING PIN 6 X 30	1
2		HANDLE BAR	1
3		KNOB	1
4		NUT M8	1
5		SCREW	1
6		PULL ROD	1

FOLDING HANDLE SCISSOR LIFT TABLES

- Chrome plated handle and foot pedal.
- Lever release handle.
- 4" x 1" moldon polyurethane wheels with locking swivel casters.
- Folding handle lays flat on table top.
- Foot operated pump.

P/N 260208

Model: SLT-1100-11
 Capacity: 1,100 lbs
 Raised Height: 35"
 Lowered Height: 11"
 Weight: 187 lbs
 Table Size: 20" x 32"
 Table Thickness: .12"
 Overall Height: 39"
 Depth: 37"
 Width: 20"

PRINT ISSUED

MAR 26, 2013

WESCO MANUFACTURING
ENGINEERING DEPARTMENT
 APP
 REV
 ECH & DATE
 REVISIONS

WESCO INDUSTRIAL PRODUCTS INC.

NORTH WALES

PENNA. 19454

 PART NAME
 SLT-1100-11
 SCISSOR LIFT TABLE

 DRAWN:
 CHECKED:
 APP. ENGR.

TOLERANCE UNLESS OTHERWISE SPECIFIED

FRACTION	3 PLACE DECIMAL	2 PLACE DECIMAL
± 1/64	± .005	± .01
ANGULAR ± 1-1/2'	SHEET 1 OF 3	

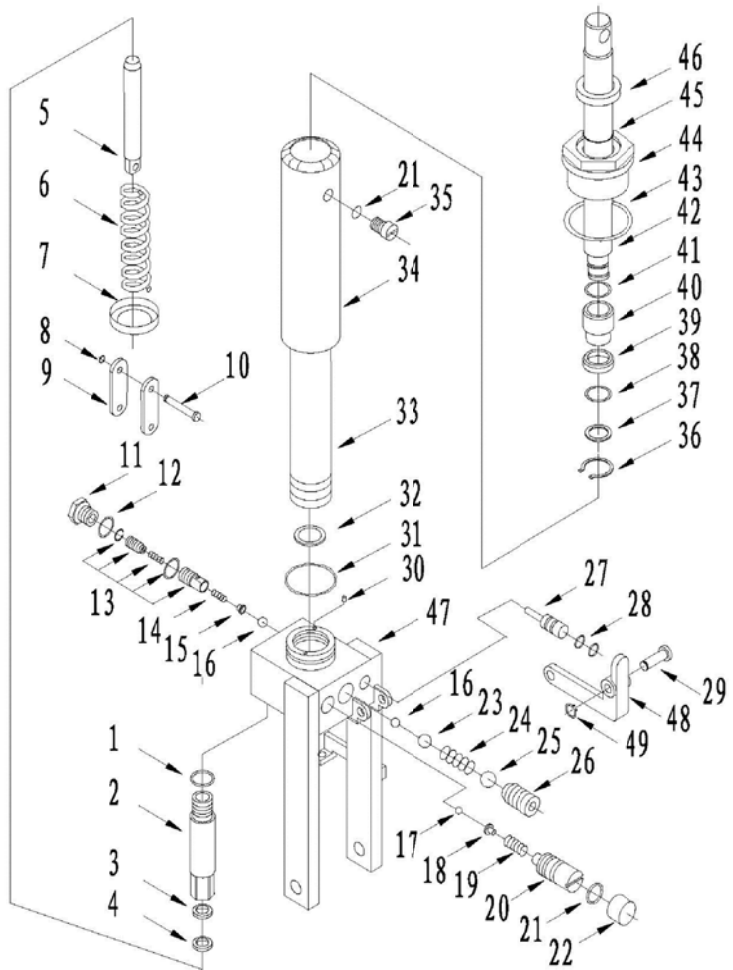
SCALE:

D-260208

REV

BREAK ALL SHARP EDGES AND REMOVE ALL BURRS

260208



REPLACEMENT PARTS LIST

ITEM	PART NO.	DESCRIPTION	QTY.
	260232	COMPLETE PUMP REPLACEMENT	1
	260233	FULL SET OF SEAL KITS	1
1		O-RING	1
2		PUMP CYLINDER	1
3		YX-SEAL RING	1
4		DUST RING	1
5		PUMP PLUNGER	1
6		SPRING	1
7		SPRING SEAT	1
8		RETAINING RING FOR AXLE 10	1
9		JOINT PLATE	2
10		PIN	1
11		SCREW	1
12		COPPER WASHER 20	1
13		DAMP VALVE	1
14		SPRING	1
15		SPRING SEAT	1
16		STEEL BALL 6.35	2
17		STEEL BALL 4.5	1
18		SPRING SEAT	1
19		SPRING	1
20		ADJUSTING SCREW	1
21		O-RING 7.5 X 2.65	2
22		COVER RINF	1
23		STEEL BALL 9.5	1
24		SPRING	1

REPLACEMENT PARTS LIST

ITEM	PART NO.	DESCRIPTION	QTY.
25		STEEL BALL 1/2 (12.7)	1
26		SCREW M16 X 18	1
27		STRIKE PIN	1
28		O-RING 6.9 X 1.8	2
29		SHAFT	1
30		FILTER	1
31		O-RING 65 X 3.55	1
32		RECTANGULAR RING SECTION	1
33		CYLINDER	1
34		HOUSING	1
35		SCREW	1
36		RETAINING RING FOR AXLE 25	1
37		WASHER	1
38		O-RING 33.5 X 3.55	1
39		CUP PACKING	1
40		BUSH	1
41		O-RING 20 X 2.65	1
42		PISTON ROD	1
43		RECTANGULAR SECTION SEALING	1
44		CYLINDER CAP	1
45		O-RING 31.5 X 3.55	1
46		J SHAPED STEEL FRAME RUBBER SEALING 32 X 45 X 6.5	1
47		BASE	1
48		LEVER PLATE	1
49		RETAINING RING FOR AXLE 8	1

PRINT ISSUED

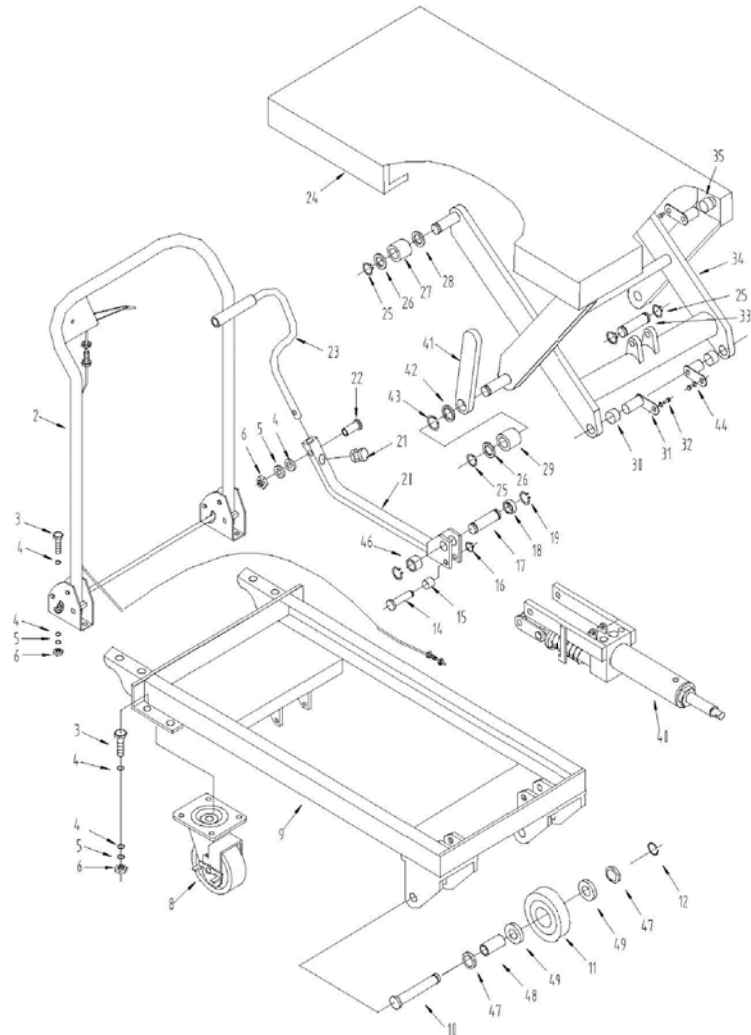
MAR 26, 2013

WESCO MANUFACTURING
ENGINEERING DEPARTMENT

REV. APP. EDCN & DATE REVISIONS

WESCO INDUSTRIAL PRODUCTS INC.
NORTH WALES PENNA. 19454

PART NAME			DRAWN:		
SLT-1100-11			CHECKED:		
SCISSOR LIFT TABLE			APP. ENGR.		
TOLERANCE UNLESS OTHERWISE SPECIFIED					
FRACTION	3 PLACE DECIMAL	2 PLACE DECIMAL	SCALE:		
± 1/64	± .005	± .01	D-260208		
ANGULAR ± 1-1/2'	SHEET 2	OF 3	REV		
BREAK ALL SHARP EDGES AND REMOVE ALL BURRS					



REPLACEMENT PARTS LIST

ITEM	PART NO.	DESCRIPTION	QTY.
2		HANDLE BAR	1
3		BOLT M8 X 25	12
4		WASHER 8	25
5		WASHER 8	13
6		NUT M8	13
8	260238	UNIVERSAL WHEEL 5"	2
9		FRAME	1
10		SHAFT	2
11	260298	WHEEL 5"	2
12		RETAINING RING FOR AXLE 12	2
14	260280	SHAFT	1
15	260281	ROLLER	1
16	260282	RETAINING RING FOR AXLE 10	1
17	260283	PIN	1
18	260284	BUSHING	1
19	260285	RETAINING RING FOR AXLE 20	2
20	260286	PUMP ARM	1
21	260287	BUMPER	1
22		BOLT M8 X 30	1
23		PEDAL BAR	1
24		TABLE	1
25		RETAINING RING FOR AXLE 16	6
26		WASHER 16	4
27		WASHER	2
28		WASHER	2
29		ROLLER	2
30		BUSH	2
31		L-PIN	4
32		BOLT M6 X 10	4
33		SHAFT	1
34		ARM	1
35		BUSH	2
40		PUMP	1
41		SUPPORT	2
42		WASHER	2
43		RETAINING RING FOR AXLE 24	2
44		WASHER 6	4
46	260288	BUSHING	1
47		BUSH	4
48		HOLLOW SHAFT	2
49	260299	BEARING 6203	4

PRINT ISSUED

MAR 26, 2013

WESCO MANUFACTURING
ENGINEERING DEPARTMENT

REV. APP. EDCN & DATE REVISIONS

WESCO INDUSTRIAL PRODUCTS INC.
NORTH WALES PENNA. 19454

PART NAME
SLT-1100-11
SCISSOR LIFT TABLE

DRAWN:
CHECKED:
APP. ENGR.

TOLERANCE UNLESS OTHERWISE SPECIFIED
FRACTION 3 PLACE DECIMAL 2 PLACE DECIMAL
± 1/64 ± .005 ± .01
ANGULAR ± 1-1/2' SHEET 3 OF 3

SCALE:
D-260208

BREAK ALL SHARP EDGES AND REMOVE ALL BURRS