

REPLACEMENT PARTS LIST			
ITEM	PART NO.	DESCRIPTION	QTY
		HANDLE GRIP	1
*		CONTROL HANDLE	1
*		ELASTIC PIN	1
*		NUT	1
*	260252	BOLT WITH HOLE	1
*		JACKET	1
*		PULL ROD	1
*		BOLT	12
		WASHER	12
		SEAT OF GRIP	2
		RETAINING RING	6
		PIN	4
		ELASTIC WASHER	12
		NUT	12
		SPRING	2
		CUSHION	2
		LONG SHAFT	1
*		CASTER	2
*		FRAME	1
*		PIN	2
*		WASHER	4
*		AXLE	2
*		BEARING	4
*		WHEEL	2
*		RETAINING RING	2
		PUMP UNIT	1
		PIN	1
		WASHER	1
		RETAINING RING	2
		PIN	1

REPLACEMENT PARTS LIST			
ITEM	PART NO.	DESCRIPTION	QTY
		WASHER	2
		RETAINING RING	2
		CONNECTING ROD	1
		CUSHION	1
		BOLT	1
		WASHER	1
		ELASTIC WASHER	1
		NUT	1
		PROTECTING COVER	1
		PEDAL BAR	1
		TABLE	1
		RETAINING RING	6
		ROLLER	2
		WASHER	4
		ROLLER	2
		PIN	2
		BUSHING	2
		RETAINING RING	2
		PIN	1
		RETAINING RING	2
		FORK ARM	1
		BUSHING	2
		PIN	2
		RETAINING RING	2
		SUPPORT PLANK	2
		NUT	2
		SCREW	2
		PROTECTING BOARD	1
		BOLT	4
		BUSHING	2

*ITEM AVAILABLE IN KIT LISTED BELOW

REPLACEMENT KITS (UNITS MANUFACTURED BEFORE 11/2000)

15152	REPLACEMENT WHEEL WITH NYLON HUB & BEARING (ITEMS 123 & 124)	1
15153	REPLACEMENT CASTER WITH NYLON HUB (ITEM 118)	1
260202	RELEASE KNOB	1
260203	SET SCREW	1

REPLACEMENT KITS (UNITS MANUFACTURED AFTER 11/2000)

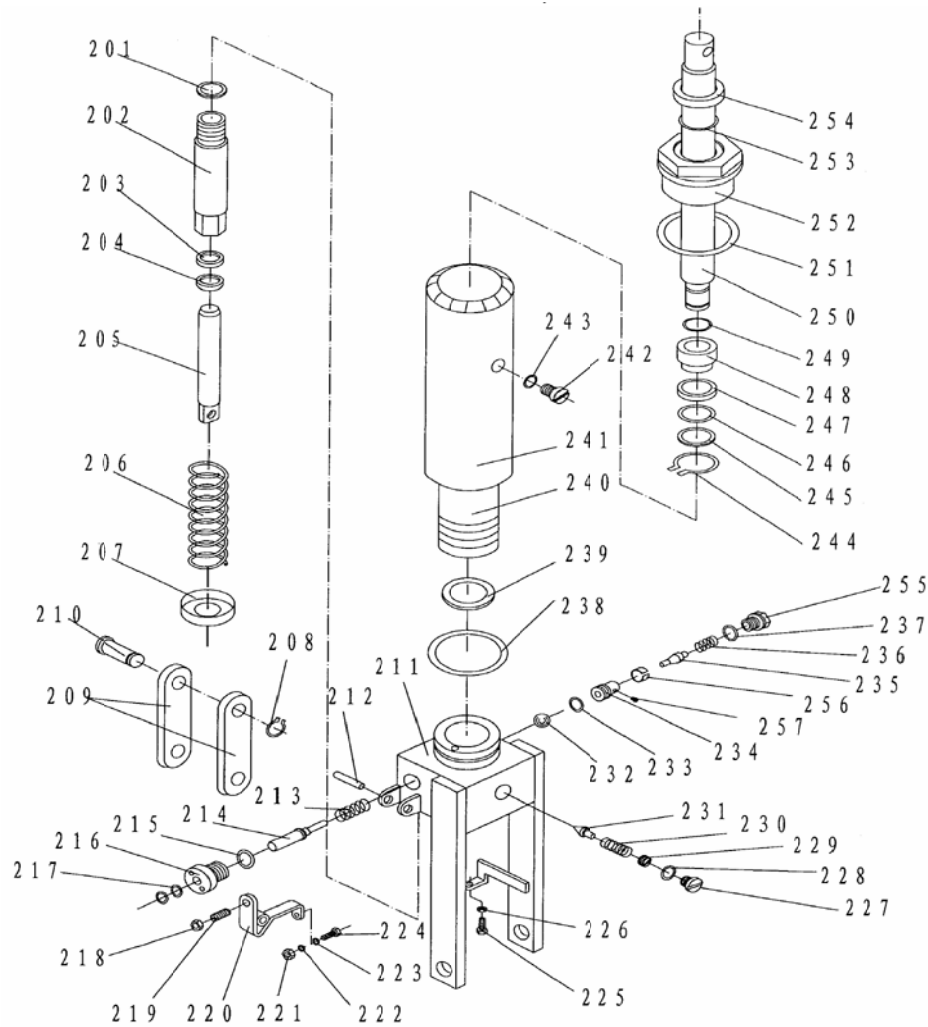
270893	FRONT WHEEL ASSEMBLY (ITEMS 120-125)	2
270890	CASTER (ITEM 118)	2
260252	HANDLE RELEASE ASSEMBLY (ITEMS 102-107)	1

PRINT ISSUED

JULY 20, 2009

WESCO MANUFACTURING
ENGINEERING DEPARTMENT

REV.	APP.	WESCO INDUSTRIAL PRODUCTS INC.		NORTH WALES		PENNA. 19454		
		PART NAME						DRAWN:
		LT-1000SL						CHECKED:
		SCISSOR LIFT TABLE						APP. ENGR.
		TOLERANCE UNLESS OTHERWISE SPECIFIED						SCALE:
FRACTION		3 PLACE DECIMAL		2 PLACE DECIMAL				
± 1/64		± .005		± .01				
ANGULAR ± 1-1/2'		SHEET 1		OF 2		D-260200		
BREAK ALL SHARP EDGES AND REMOVE ALL BURRS								



REPLACEMENT PARTS LIST			
ITEM	PART NO.	DESCRIPTION	QTY
201		SEAL WASHER	1
202		PUMP CYLINDER	1
203		DUST RING	1
204		Y-SEAL	1
205		PUMP PISTON	1
206		SPRING	1
207		SPRING CAP	1
208		RETAINING RING	1
209		JOINT PLATE	2
210		PIN	1
211E		PUMP BODY	1
212		ELASTIC PIN	1
213		SPRING	1
214		STRIKE PIN	1
215		SEAL WASHER	1
216		AXLE SLEEVE	1
217		O-RING	2
218		NUT	1
219		SCREW	1
220		LEVER PLATE	1
221		NUT	1
222		ELASTIC WASHER	1
223		WASHER	1
224		BOLT WITH HOLE	1
225		BOLT WITH HOLE	1
226		NUT	1
227		PLUG	1

REPLACEMENT PARTS LIST			
ITEM	PART NO.	DESCRIPTION	QTY
228		O-RING	1
229		ADJUSTING BOLT	1
230		SPRING	1
231		SPINDLE OF SAFETY VALVE	1
232		STEEL BALL	1
233		O-RING	1
234		SEAT OF PUMPING VALVE	1
235		SPINDLE OF PUMPING VALVE	1
236		SPRING	1
237		SEAL WASHER	1
242		BOLT	1
243		SEAL WASHER	1
244E		RETAINING RING	1
245E		WASHER	1
246E		O-RING	1
247E		CUP PACKING	1
248E		PISTON	1
249E		O-RING	1
250E		PISTON ROD	1
251E		SEAL WASHER	1
252E		CYLINDER CAP	1
253E		O-RING	1
254E		DUST RING	1
255		PLUG	1
256		LIQUID THROTTLE SHEATH	1
257		BOLT	1
258E		SLEEVE	1

REPLACEMENT KITS (UNITS MANUFACTURED BEFORE 11/2000)

151541	COMPLETE REPLACEMENT PUMP KIT	1
--------	-------------------------------	---

REPLACEMENT KITS (UNITS MANUFACTURED AFTER 11/2000)

151545	COMPLETE REPLACEMENT PUMP KIT	1
270227	SEAL KIT	1

SCISSOR LIFT TABLES

- Foot operated pump
- Easy to use spring loaded release lever
- 5" x 1.5" polyurethane casters with locks

P/N 260200

Model: LT-1000SL
 Weight: 185 lbs
 Table Size: 19.5" x 32"
 Table Thickness: .1"
 Lowered Height: 14"
 Raised Height: 35"
 Capacity: 1000 lbs
 Overall Height: 37"
 Depth: 42"
 Width: 19.5"

PRINT ISSUED

JULY 20, 2009

WESCO MANUFACTURING
 ENGINEERING DEPARTMENT

APP	REVISIONS		WESCO INDUSTRIAL PRODUCTS INC.		PENNA. 19454			
			NORTH WALES					
			PART NAME				DRAWN:	
			LT-1000SL				CHECKED:	
SCISSOR LIFT TABLE				APP. ENGR.				
TOLERANCE UNLESS OTHERWISE SPECIFIED								
FRACTION		3 PLACE DECIMAL		2 PLACE DECIMAL				
± 1/64		± .005		± .01				
ANGULAR ± 1-1/2'		SHEET 2		OF 2				
BREAK ALL SHARP EDGES AND REMOVE ALL BURRS								
REV.	D-260200				REV			