

# RNR MACHINERY MOVERS

**Features:**

- Heavy duty capacities up to 5 tons - the most economical way to lift and move large bulky loads.
- Swivel casters allow movement in any direction.
- Hand operated hydraulic jack for easy lifting and controlled lowering of loads.
- All models supplied with hooks for recommended optional LB-1 or LB-2 load binders.

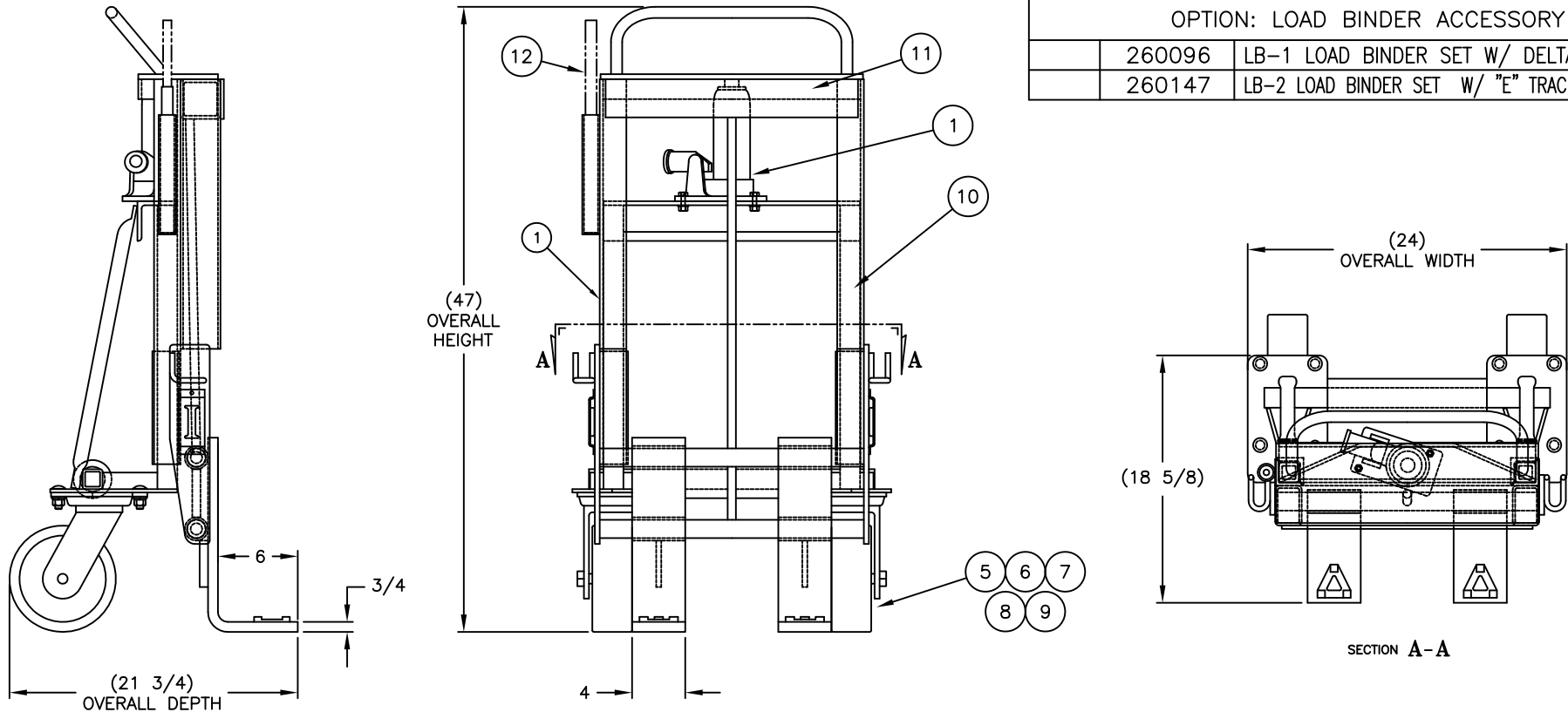
**Model:** RNR-8P  
**Lift:** 6"  
**Casters:** 8" X 3"  
 Polyurethane  
**Weight:** 475 lbs/pair  
**Capacity:** 8,000 lbs/pair  
  
**OD Fork**  
**Span Range:** 6" to 19.5"

## REPLACEMENT PARTS LIST

ITEM	P/N	DESCRIPTION	QTY
1	270427	KIT: REPLACEMENT JACK PRO-LIFT RNR8/10	2
2	-	NOT USED	-
3	-	NOT USED	-
4	-	NOT USED	-
5	108845	CASTER: SWIVEL 8"x3" POLY	4
6	109637	BOLT: CARRIAGE 1/2-13X1-1/2"	16
7	108200	WASHER: FLAT (PLTD) 1/2" SAE	16
8	108228	WASHER: LOCK (PLTD) 1/2" MED	16
9	100366	NUT: HEX (PLTD) 1/2-13	16
10	106172	TUBING: FLEXO	2
11	106167	STRIP: RUBBER	2
12	051717	HANDLE: JACK (RNR-2/6/8/10)	1

**OPTION: LOAD BINDER ACCESSORY**

260096	LB-1 LOAD BINDER SET W/ DELTA RINGS	1
260147	LB-2 LOAD BINDER SET W/ "E" TRACK HOOKS	1



THIS DRAWING IN ALL PARTICULARS IS WESCO INDUSTRIAL PRODUCTS, LLC PROPERTY. ALL RIGHTS OF DESIGN, INVENTION OR USE OF ARE RESERVED.

PRINT ISSUED

JAN 23, 2020

WESCO MANUFACTURING  
ENGINEERING DEPARTMENT

REV. ECH & DATE REVISIONS	<b>WESCO INDUSTRIAL PRODUCTS, LLC</b> NORTH WALES PENNA. 19454	
	PART NAME: <b>RNR-8P</b>	
	DRAWN: PS 7-25-00	
	CHECKED:	
	APP. ENGR.	
TOLERANCE UNLESS OTHERWISE SPECIFIED		
FRACTION 3 PLACE DECIMAL 2 PLACE DECIMAL		
$\pm \frac{1}{64}$ $\pm .005$ $\pm .01$		
ANGULAR $\pm 1-1/2^\circ$ SHEET 1 OF 2		
BREAK ALL SHARP EDGES AND REMOVE ALL BURRS		
SCALE:		C-260094 REV L