

RNR MACHINERY MOVERS

Features:

- Heavy duty capacities up to 5 tons - the most economical way to lift and move large bulky loads.
- Swivel casters allow movement in any direction.
- Hand operated hydraulic jack for easy lifting and controlled lowering of loads.
- All models supplied with hooks for recommended optional LB-1 or LB-2 load binders.

Model: **RNR-6P**
 Lift: 12"
 Casters: 6" X 2.5"
 Polyurethane
 Weight: 359 lbs/pair
 Capacity: 6,000 lbs/pair
 OD Fork
 Span Range: 6" to 19.5"

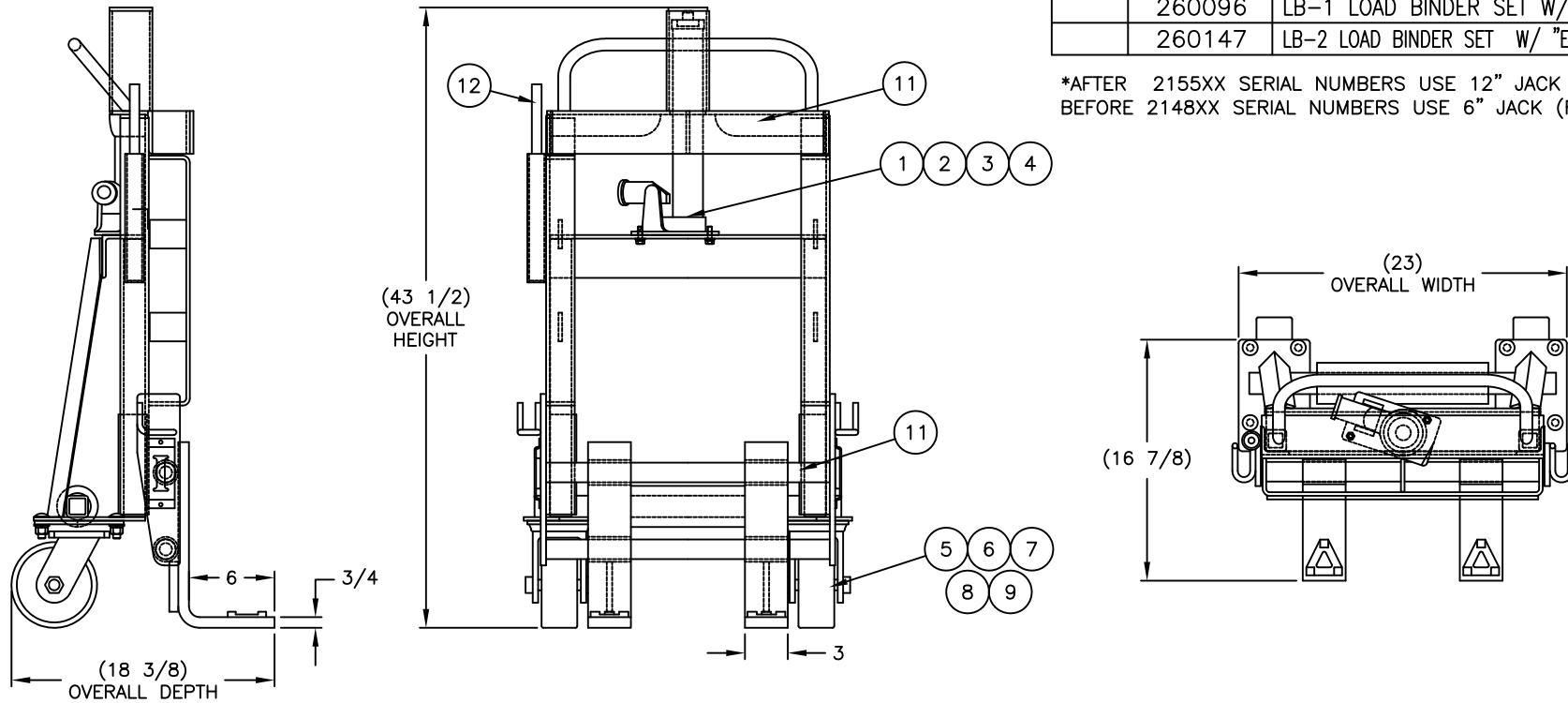
REPLACEMENT PARTS LIST

| ITEM | P/N | DESCRIPTION | QTY |
|------|--------|-------------------------------|-----|
| 1 | 270426 | JACK: 1-1/2 TON, RNR-2/6 | 2 |
| 2 | 108149 | SCREW: HEX HD CAP (5/16-18X1) | 4 |
| 3 | 100170 | WASHER: LOCK 5/16 MED SPLIT | 4 |
| 4 | 100069 | WASHER: FLAT (PLTD) 5/16 SAE | 4 |
| 5 | 108843 | CASTER: SWIVEL 6X2-1/2 POLY | 4 |
| 6 | 109637 | BOLT: CARRIAGE 1/2-13X1-1/2" | 16 |
| 7 | 108200 | WASHER: FLAT (PLTD) 1/2" SAE | 16 |
| 8 | 108228 | WASHER: LOCK (PLTD) 1/2" MED | 16 |
| 9 | 100366 | NUT: HEX (PLTD) 1/2-13 | 16 |
| 10 | 106172 | TUBING: FLEXO | 2 |
| 11 | 106167 | STRIP: RUBBER | 2 |
| 12 | 051717 | HANDLE: JACK (RNR-2/6/8/10) | 1 |

OPTION: LOAD BINDER ACCESSORY

| | | |
|--------|---|---|
| 260096 | LB-1 LOAD BINDER SET W/ DELTA RINGS | 1 |
| 260147 | LB-2 LOAD BINDER SET W/ "E" TRACK HOOKS | 1 |

*AFTER 2155XX SERIAL NUMBERS USE 12" JACK (KIT 270426)
 BEFORE 2148XX SERIAL NUMBERS USE 6" JACK (REPLACEMENT N/A)



THIS DRAWING IN ALL PARTICULARS IS WESCO INDUSTRIAL PRODUCTS, LLC PROPERTY. ALL RIGHTS OF DESIGN, INVENTION OR USE OF ARE RESERVED.

PRINT ISSUED

JAN 23, 2020

WESCO MANUFACTURING
 ENGINEERING DEPARTMENT

| | | | |
|--|--------------------------------|-----------------|-------------------|
| REV. ECH & DATE | WESCO INDUSTRIAL PRODUCTS, LLC | | APP. |
| | NORTH WALES PENNA. 19454 | | |
| | PART NAME | | DRAWN: PS 7-25-00 |
| | RNR-6P | | CHECKED: |
| TOLERANCE UNLESS OTHERWISE SPECIFIED | | | APP. ENGR. |
| FRACTION | | 3 PLACE DECIMAL | 2 PLACE DECIMAL |
| ± 1/64 | | ± .005 | ± .01 |
| ANGULAR ± 1-1/2° | | SHEET 1 OF 1 | |
| BREAK ALL SHARP EDGES AND REMOVE ALL BURRS | | | SCALE: |
| C-260093 | | | REV |