

260044

REPLACEMENT PARTS LIST
56"/60" Stacker

1	260143	CHAIN ROLLER ASS'Y	1
2	050770	LIFT CHAIN ASS'Y (56/60")	1
3	108519	STABILIZER ROLLER	4
	051617	STABILIZER ROLLER KIT	
4	108517	PLATFORM ROLLER	4
5	053769	WHEEL: 5x2, PHENOLIC ASS'Y	2
6	054265	CASTER: SWIVEL 4x2 PHENOLIC	2
7	150001	FLOOR LOCK: NEW STYLE	1
8	051151	JACK ASS'Y (56/60")	1
	052723	SEAL KIT	1
	050750	PUMPING PEDAL ASS'Y (PL/SPL)	1
	050752	RELIEF PEDAL ASS'Y (PL/STCKR)	1
050774	--->	XXXXXX PUMPING RELEASE VALVE KIT	1
	050468	MAGNET SPACER ASS'Y	1

"S" STANDARD & "E" CONOMY LINE PLATFORM HYDRAULIC STACKERS

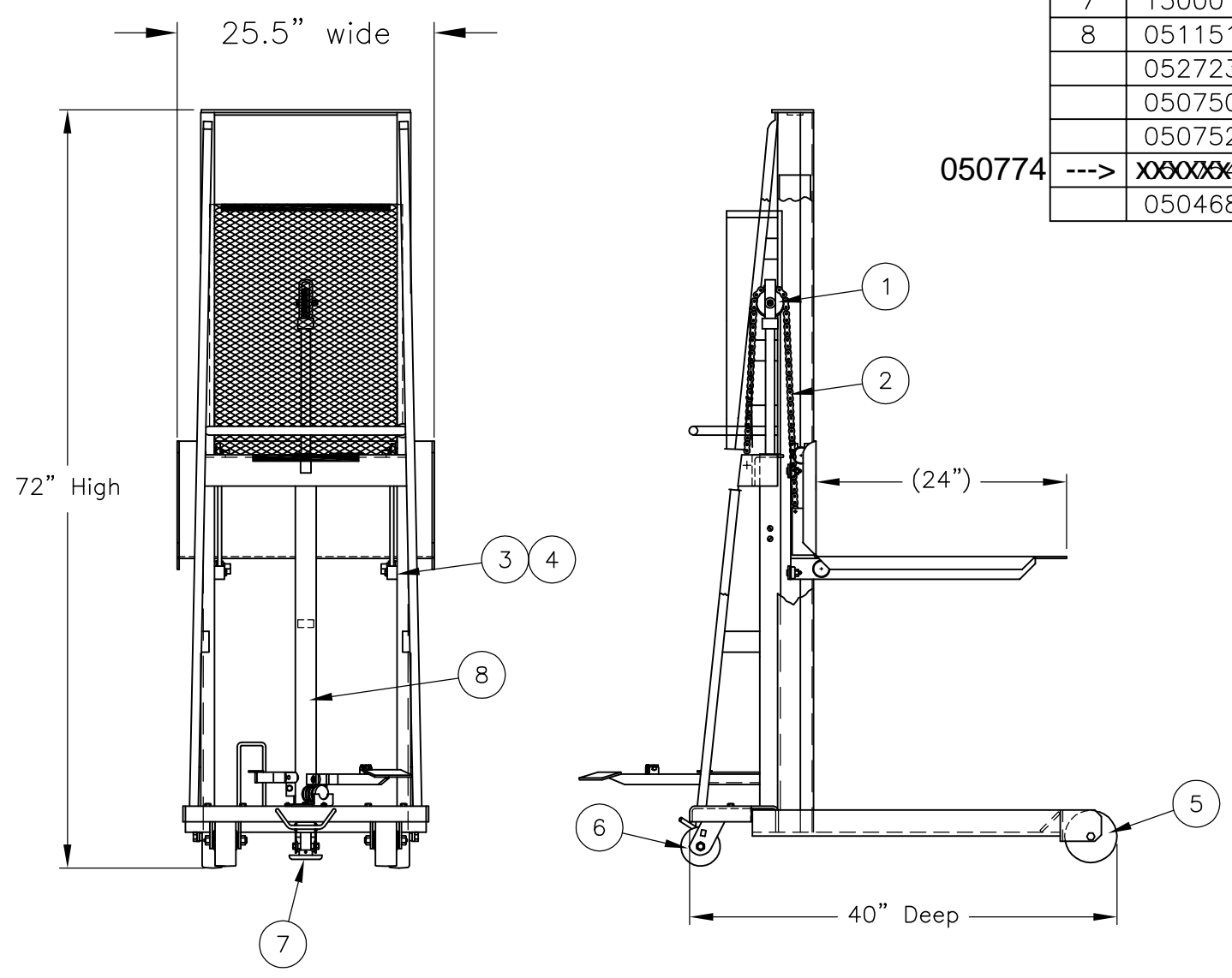
- Floor locks, safety screen and foot guard are standard on all models.
- Forks touch the floor on all fork models.
- Front phenolic wheels are 5" diameter.
- Rear Phenolic swivel casters are 4" diameter.
- Hydraulic jack manufactured by WESCO in U.S.A
- Frame and lift heights vary among models.
- "S" tandard line features one piece platform guide rail.
- "E" conomy line offers an economical price value.

ECONOMY PLATFORM MODEL

260044 ESPL-60-2424

Platform: 24x24 w/5.75" lowered height
 Lift Height: 60"
 Load Center: 15"
 Base leg span: 15" Inside
 21" Outside
 Weight: 226 lbs
 Capacity: 1,000 lbs
 Boxed: No

NOTE: TURNING RADIUS 43-9/16"



THIS DRAWING IN ALL PARTICULARS IS WESCO INDUSTRIAL PRODUCTS INC. PROPERTY. ALL RIGHTS OF DESIGN, INVENTION OR USE OF ARE RESERVED.

PRINT ISSUED
 Oct. 12, 2006
 WESCO MANUFACTURING
 ENGINEERING DEPARTMENT

WESCO INDUSTRIAL PRODUCTS INC.
 LANSDALE PENNA. 19446

PART NAME	ESPL-60-2424	DRAWN: WEW 10-16-98
TOLERANCE UNLESS OTHERWISE SPECIFIED		CHECKED:
FRACTION 3 PLACE DECIMAL 2 PLACE DECIMAL		APP. ENGR.
± 1/64 ± .005 ± .01		SCALE: 1" = 16"
ANGULAR ± 1-1/2' SHEET 1 OF 1		B- 260044
BREAK ALL SHARP EDGES AND REMOVE ALL BURRS		REV

APP
 ECN & DATE
 REVISIONS
 REV.