

260034

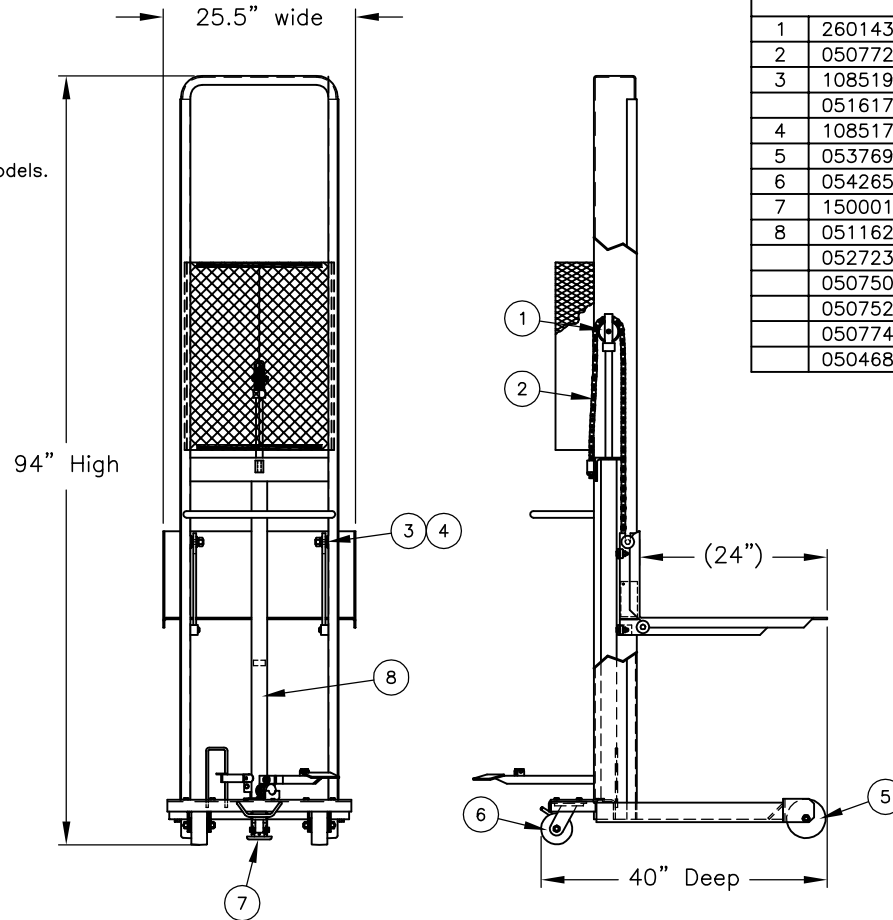
**"S" STANDARD & "E" CONOMY LINE PLATFORM HYDRAULIC STACKERS**

- Floor locks, safety screen and foot guard are standard on all models.
- Forks touch the floor on all fork models.
- Front phenolic wheels are 5" diameter.
- Rear Phenolic swivel casters are 4" diameter.
- Hydraulic jack manufactured by WESCO in U.S.A
- Frame and lift heights vary among models.
- "S" tandard line features one piece platform guide rail.
- "E" conomy line offers an economical price value.

**STANDARD PLATFORM MODEL**

**260034 SPL-80-2424**

Platform: 24x24 w/5.75" lowered height  
 Lift Height: 80"  
 Load Center: 15"  
 Base leg span: 15" Inside  
 21" Outside  
 Weight: 274 lbs  
 Capacity: 1,000 lbs  
 Boxed: No



**REPLACEMENT PARTS LIST**  
76/80" Stacker

1	260143	CHAIN ROLLER ASS'Y	1
2	050772	LIFT CHAIN ASS'Y (76/80")	1
3	108519	STABILIZER ROLLER	4
	051617	STABILIZER ROLLER KIT	
4	108517	PLATFORM ROLLER	4
5	053769	WHEEL: 5x2, PHENOLIC ASS'Y	2
6	054265	CASTER: SWIVEL 4x2 PHENOLIC	2
7	150001	FLOOR LOCK: NEW STYLE	1
8	051162	JACK ASS'Y (76/80")	1
	052723	SEAL KIT	1
	050750	PUMPING PEDAL ASS'Y (PL/SPL)	1
	050752	RELIEF PEDAL ASS'Y (PL/STCKR)	1
	050774	PUMPING RELEASE VALVE KIT	1
	050468	MAGNET SPACER ASS'Y	1

THIS DRAWING IN ALL PARTICULARS IS WESCO INDUSTRIAL PRODUCTS INC. PROPERTY. ALL RIGHTS OF DESIGN, INVENTION OR USE OF ARE RESERVED.

PRINT ISSUED

MAY 17, 2006

WESCO MANUFACTURING  
ENGINEERING DEPARTMENT

REV.	WESCO INDUSTRIAL PRODUCTS INC.		APP.	
	LANSDALE PENNA. 19446			
	PART NAME <b>SPL-80-2424</b>			DRAWN: WEW 10-16-98
	TOLERANCE UNLESS OTHERWISE SPECIFIED			CHECKED:
FRACTION 3 PLACE DECIMAL 2 PLACE DECIMAL		APP. ENGR.		
± 1/64 ± .005 ± .01		SCALE: 1" = 16"		
ANGULAR ± 1-1/2' SHEET 1 OF 1		B- 260034 REV		
BREAK ALL SHARP EDGES AND REMOVE ALL BURRS				