

REPLACEMENT PARTS LIST

ITEM	PART NO.	DESCRIPTION	QTY.
1	054133	ASSEMBLY: SHEAVE	1
2	053513	ASSEMBLY: CABLE (40" LIFT CABLE)	1
3	151294	WINCH COMPLETE (3 MOUNTING HOLES)	1
	108504	WINCH COMPLETE (2 MOUNTING HOLES PRE-1996)	1
4	108501	ROLLER: PLATFORM CAM	4
5	260080	KIT: WHEEL LOCK "FOOT STYLE" (STL PL-40/54)	1
	260071	KIT: WHEEL LOCK "HANDLE STYLE" (PL-40)	1
6	052868	WHEEL: "H1" 8 X 2	2
7	108303	CASTER: SWIVEL (3.5 X 1.25) DPL	2
8	051813	KIT: ROLLER PLATFORM W/ HARDWARE	4

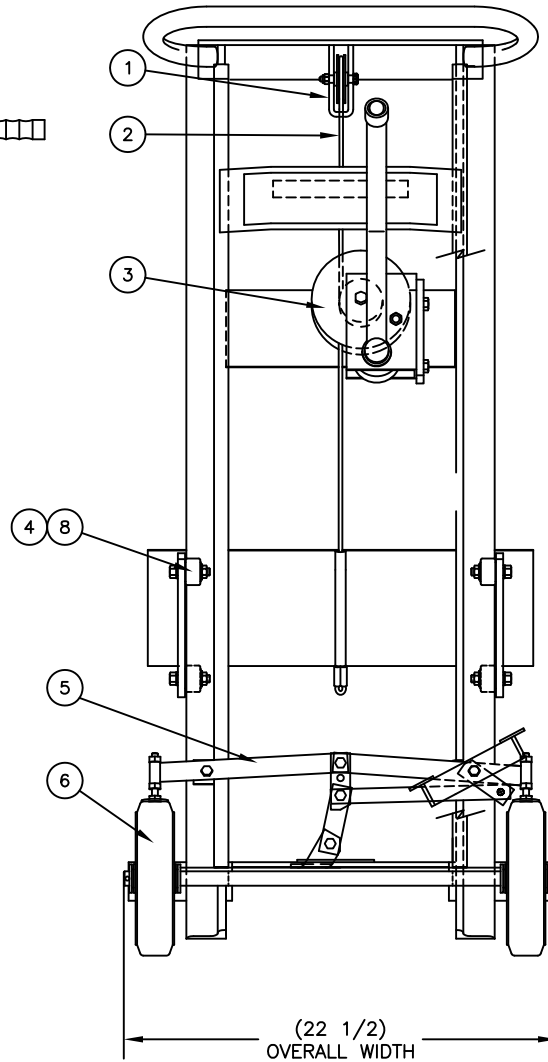
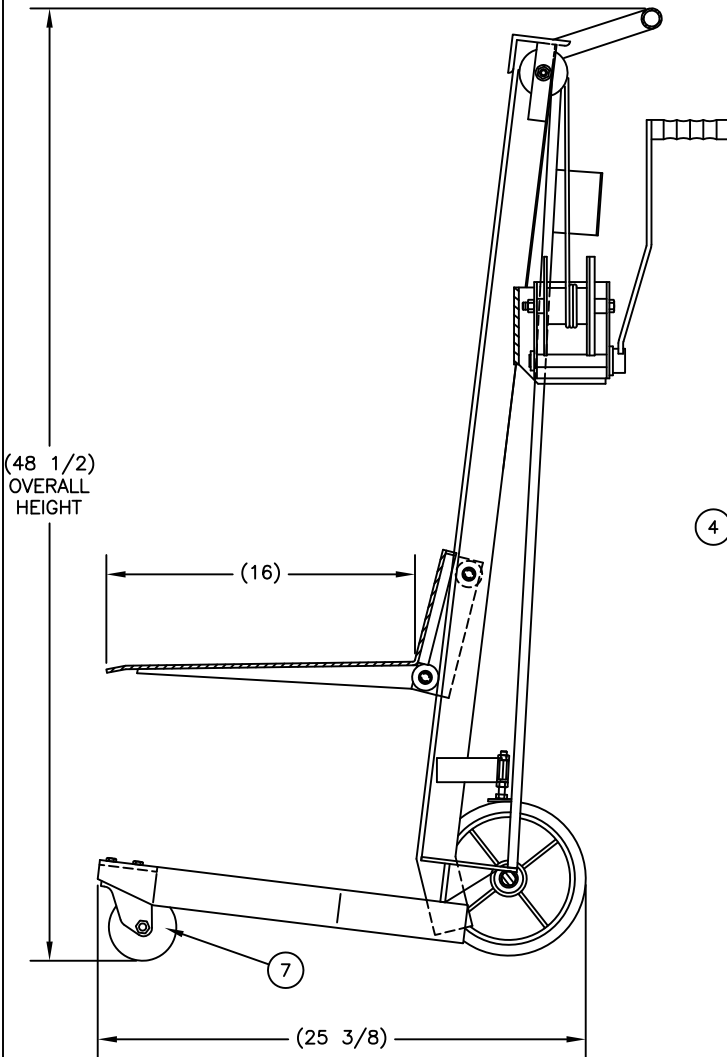
STEEL FRAME PEDALIFTS

- Wheel locks are standard on all models.
- Frame and lift heights vary among models.

Four Wheeled Winch Models Features:

- Winch allows easy horizontal storage and transportation.
- Low maintenance design.
- Platform on four wheeled model sits 5.75" above the floor.
- Wheel lock standard.

P/N 260020
 Model: WDPL-40-1620
 Lift Height: 40"
 Platform: 16"D X 20"W
 Weight: 113 lb.
 Capacity: 750 lb.
 O.A.H 48.5" High
 O.A.W 22.5" Wide



THIS DRAWING IN ALL PARTICULARS IS WESCO MFGR. CO. PROPERTY. ALL RIGHTS OF DESIGN, INVENTION OR USE OF ARE RESERVED.

PRINT ISSUED

NOV 12, 2004

WESCO MANUFACTURING
ENGINEERING DEPARTMENT

REV.	ECH & DATE	REVISIONS	APP.	
			WESCO MANUFACTURING CO. NORTH WALES PENNA. 19454	
			PART NAME WDPL-40-1620 (FRAME: 053139)	DRAWN: RLC 7/19/85
			CHECKED: APP. ENGR.	
TOLERANCE UNLESS OTHERWISE SPECIFIED			SCALE:	
FRACTION 3 PLACE DECIMAL 2 PLACE DECIMAL				
± 1/64 ± .005 ± .01				
ANGULAR ± 1-1/2° SHEET 1 OF 1			C-260020 REV	
BREAK ALL SHARP EDGES AND REMOVE ALL BURRS				