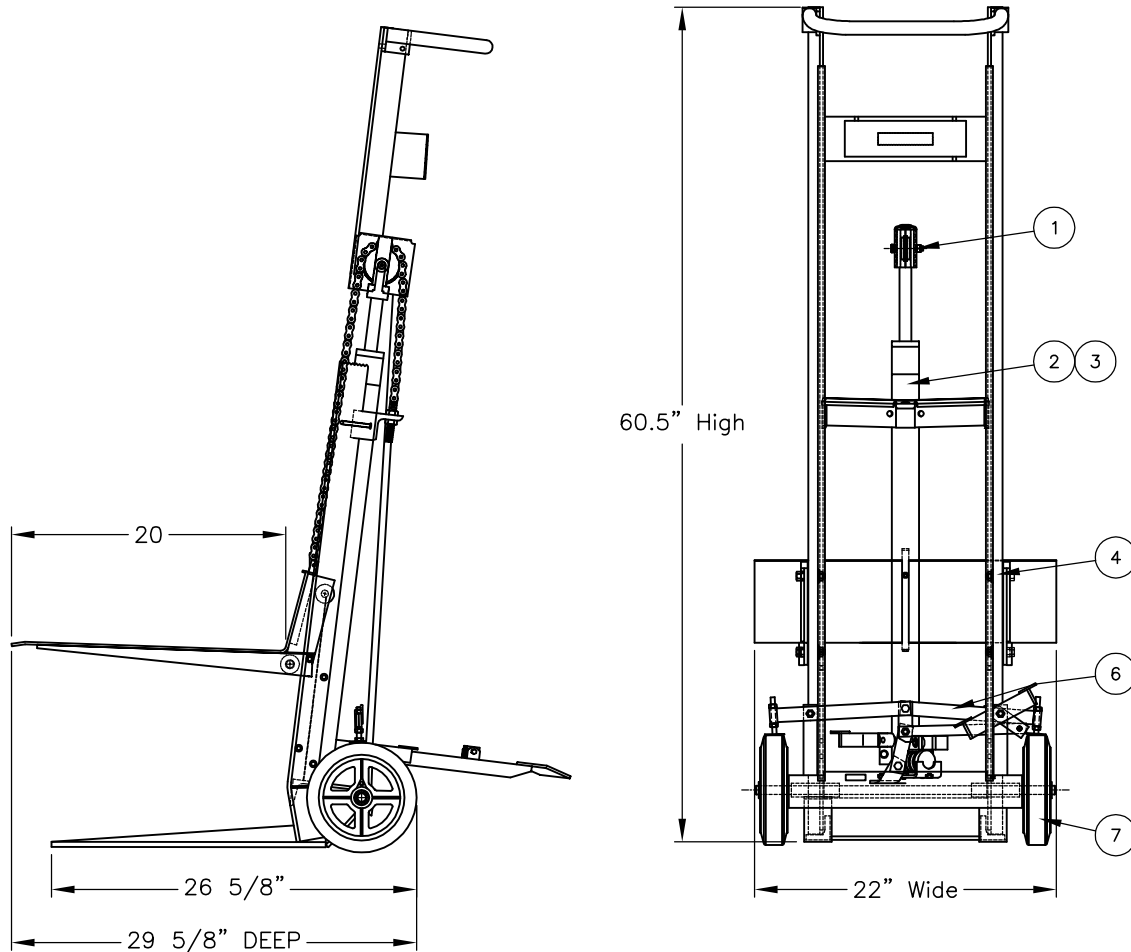


Replacement Parts List (54" Lift)

1	260143	ROLLER CARRIER ASS'Y	1
2	051159	JACK ASS'Y (54")	1
3	101218	CAM: FOLLOWER	2
4	108517	ROLLER: MAG PLATFORM	2
5	108503	CHAIN: #520 RIVETED ROLLER	3.4'
6	260079	KIT: WHEEL LOCK "FOOT STYLE" (MPL-40/54)	1
7	108545	WHEEL: "R" 8x1-5/8 MOR/AC	2

052722 SEAL KIT



MAGNESIUM FRAME PEDALIFTS

- Magnesium construction for lightweight ruggedness.
- 20"D X 22"W platform size.
- Wheel locks are standard on all models.
- Front of platform touches the floor.
- Frame and lift heights vary among models.

TWO WHEELED HYDRAULIC

- Foot operated hydraulic pump raises platform
- Foot release lowers platform.
- Wheel lock standard.

Specification: 8 x 2 wheels with .75" ball bearings.

P/N 260005

Model: MPL-54-2022
 Lift Height: 54"
 Weight: 69 lbs
 Capacity: 400 lbs
 Boxed: No

THIS DRAWING IN ALL PARTICULARS IS WESCO INDUSTRIAL PRODUCTS INC. PROPERTY. ALL RIGHTS OF DESIGN, INVENTION OR USE OF ARE RESERVED.

PRINT ISSUED
 MAY 17, 2006
 WESCO MANUFACTURING
 ENGINEERING DEPARTMENT

REV.	ECH & DATE	REVISIONS	WESCO INDUSTRIAL PRODUCTS INC.		SCALE: 1" = 7"		
			LANSDALE PENNA. 19446				
			PART NAME	MPL-54-2022		DRAWING	KL 09-21-01
			TOLERANCE UNLESS OTHERWISE SPECIFIED			CHECKED	PS 09-21-01
FRACTION		3 PLACE DECIMAL	2 PLACE DECIMAL	APP. ENGR.	C-260005		
± 1/64		± .005	± .01	SHEET 1 OF 1			
ANGULAR ± 1-1/2°		BREAK ALL SHARP EDGES AND REMOVE ALL BURRS					