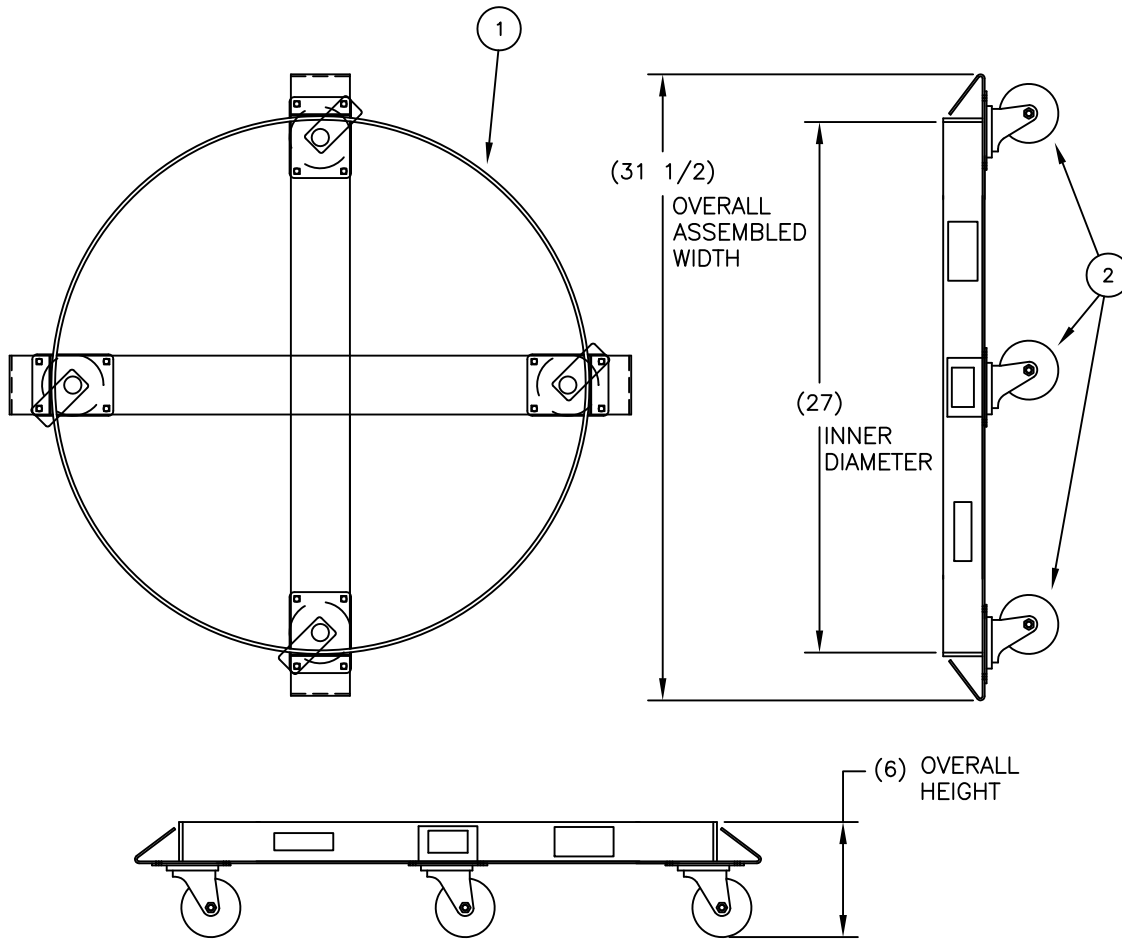


240200

REPLACEMENT PARTS LIST

1	170775	85GAL STAINLESS DOLLY	1
2	170777	CASTER SET: 3" PP W/ SS RIG	1



STAINLESS STEEL DRUM DOLLIES

- Superior design places drum chime over caster kingpin for greater load stability and long cater life.
- All welded 304 stainless steel frame construction with reinforced outriggers.
- Four bolt on 3" swivel casters.
- I.D. varies among models.
- Model available for 30, 55, and 85 gallon drums.

P/N 240200

Model: SS8-PPSS
 Capacity: 900 lbs
 Weight: 26 lbs
 Unit I.D.: 27"
 Drum size: 85 gal.
 Caster Type: White Polypropylene
 Rig Type: Stainless
 Box: Yes

THIS DRAWING IN ALL PARTICULARS IS WESCO INDUSTRIAL PRODUCTS INC. PROPERTY. ALL RIGHTS OF DESIGN, INVENTION OR USE OF ARE RESERVED.

<p>PRINT ISSUED</p> <p>NOV. 15, 2006</p> <p>WESCO MANUFACTURING ENGINEERING DEPARTMENT</p>	R	W	S	APP	<p>WESCO INDUSTRIAL PRODUCTS INC.</p> <p>NORTH WALES PENNA. 19454</p>									
	11-09-12	UPDATED PARTS LIST	ECN & DATE			<p>PART NAME</p> <p>SS8-PPSS</p> <p>DRUM DOLLIES</p>								
<p>REVISIONS</p>	A			REV.	<p>TOLERANCE UNLESS OTHERWISE SPECIFIED</p> <table border="1"> <tr> <td>FRACTION</td> <td>3 PLACE DECIMAL</td> <td>2 PLACE DECIMAL</td> </tr> <tr> <td>± 1/64</td> <td>± .005</td> <td>± .01</td> </tr> <tr> <td>ANGULAR ± 1-1/2"</td> <td>SHEET 1</td> <td>OF 1</td> </tr> </table> <p>BREAK ALL SHARP EDGES AND REMOVE ALL BURRS</p>	FRACTION	3 PLACE DECIMAL	2 PLACE DECIMAL	± 1/64	± .005	± .01	ANGULAR ± 1-1/2"	SHEET 1	OF 1
	FRACTION	3 PLACE DECIMAL	2 PLACE DECIMAL											
	± 1/64	± .005	± .01											
	ANGULAR ± 1-1/2"	SHEET 1	OF 1											
					<p>DRAWN:</p> <p>CHECKED:</p> <p>APP. ENGR.</p>									
					<p>SCALE: 1" = 8"</p>									
					<p>A-240200 REV A</p>									