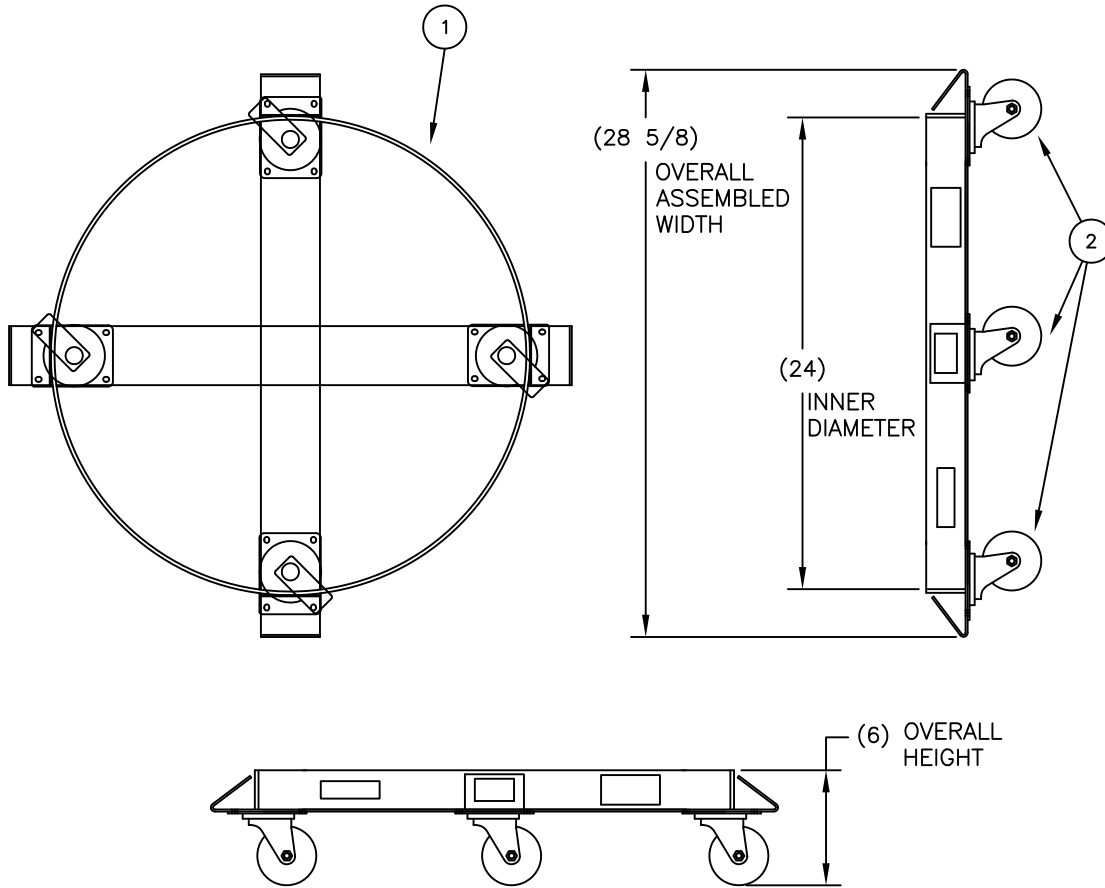


240197

REPLACEMENT PARTS LIST

1	170774	55GAL STAINLESS DOLLY	1
2	170777	CASTER SET: 3" PP W/ SS RIG	1



STAINLESS STEEL DRUM DOLLIES

- Superior design places drum chime over caster kingpin for greater load stability and long cater life.
- All welded 304 stainless steel frame construction with reinforced outriggers.
- Four bolt on 3" swivel casters.
- I.D. varies among models.
- Model available for 30, 55, and 85 gallon drums.

P/N 240197

Model: SS5-PPSS  
 Capacity: 1,000 lbs  
 Weight: 22 lbs  
 Unit I.D.: 24"  
 Drum size: 55 gal.  
 Caster Type: White Polypropylene  
 Rig Type: Stainless  
 Box: Yes

THIS DRAWING IN ALL PARTICULARS IS WESCO INDUSTRIAL PRODUCTS INC. PROPERTY. ALL RIGHTS OF DESIGN, INVENTION OR USE OF ARE RESERVED.

PRINT ISSUED  
 NOV. 15, 2006  
 WESCO MANUFACTURING  
 ENGINEERING DEPARTMENT

R	W	S	APP
11-09-12	UPDATED PARTS LIST		
	ECN & DATE		
A	REV.		

REVISIONS

WESCO INDUSTRIAL PRODUCTS INC.  
 NORTH WALES PENNA. 19454

PART NAME		SS5-PPSS	DRAWN:
		DRUM DOLLIES	CHECKED:
TOLERANCE UNLESS OTHERWISE SPECIFIED			APP. ENGR.
FRACTION	3 PLACE DECIMAL	2 PLACE DECIMAL	SCALE: 1" = 8"
± 1/64	± .005	± .01	
ANGULAR ± 1-1/2°	SHEET 1	OF 1	
BREAK ALL SHARP EDGES AND REMOVE ALL BURRS			A-240197 REV A