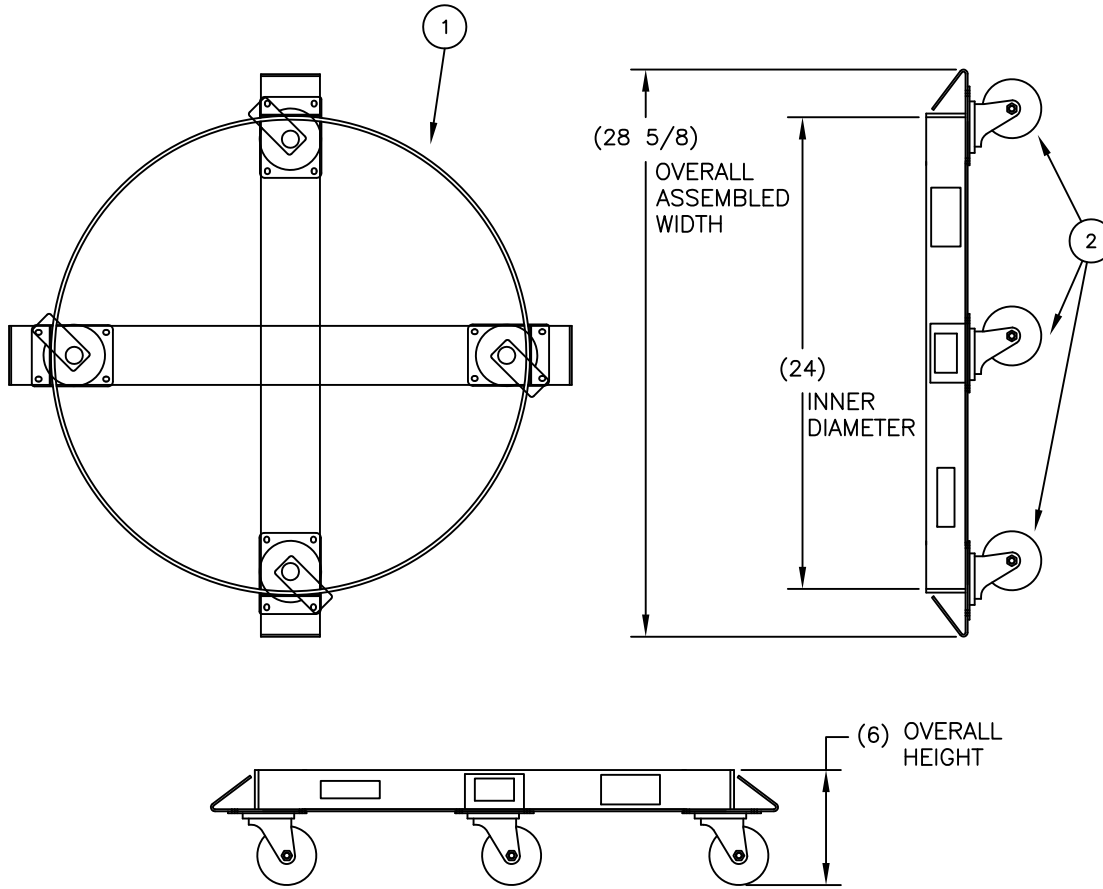


240195

REPLACEMENT PARTS LIST

1	170774	55GAL STAINLESS DOLLY	1
2	055249	CASTER SET: 3" HR W/ ZINC RIG	1



STAINLESS STEEL DRUM DOLLIES

- Superior design places drum chime over caster kingpin for greater load stability and long cater life.
- All welded 304 stainless steel frame construction with reinforced outriggers.
- Four bolt on 3" swivel casters.
- I.D. varies among models.
- Model available for 30, 55, and 85 gallon drums.

P/N 240195

Model: SS5-HRZ  
 Capacity: 900 lbs  
 Weight: 23 lbs  
 Unit I.D: 24"  
 Drum size: 55 gal.  
 Caster Type: Hard Rubber  
 Rig Type: Zinc Plate  
 Box: Yes

THIS DRAWING IN ALL PARTICULARS IS WESCO INDUSTRIAL PRODUCTS INC. PROPERTY. ALL RIGHTS OF DESIGN, INVENTION OR USE OF ARE RESERVED.

<p>PRINT ISSUED</p> <p>NOV. 15, 2006</p> <p>WESCO MANUFACTURING ENGINEERING DEPARTMENT</p>	R W S	APP	<p>WESCO INDUSTRIAL PRODUCTS INC.</p> <p>NORTH WALES PENNA. 19454</p>					
	11-09-12				REV.	<p>PART NAME</p> <p><b>SS5-HRZ</b></p> <p>DRUM DOLLIES</p> <p>TOLERANCE UNLESS OTHERWISE SPECIFIED</p> <table border="1"> <tr> <td>FRACTION</td> <td>3 PLACE DECIMAL</td> <td>2 PLACE DECIMAL</td> </tr> <tr> <td>± 1/64</td> <td>± .005</td> <td>± .01</td> </tr> </table> <p>ANGULAR ± 1-1/2' SHEET 1 OF 1</p> <p>BREAK ALL SHARP EDGES AND REMOVE ALL BURRS</p>	FRACTION	3 PLACE DECIMAL
FRACTION	3 PLACE DECIMAL	2 PLACE DECIMAL						
± 1/64	± .005	± .01						
<p>UPDATED PARTS LIST</p>		ECN & DATE	<p>DRAWN:</p> <p>CHECKED:</p> <p>APP. ENGR.</p> <p>SCALE: 1" = 8"</p>	<p>REVISIONS</p>				
A			<p>A - 240195</p>	<p>REV A</p>				