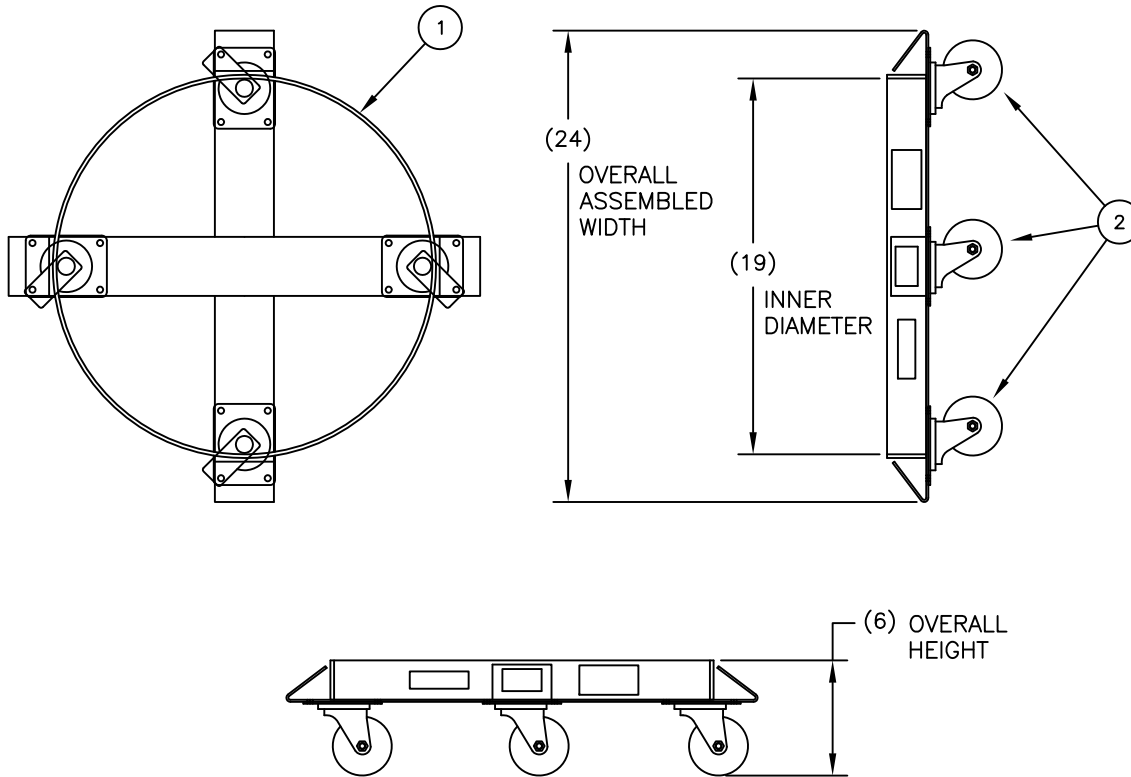


240192

REPLACEMENT PARTS LIST

1	170773	30GAL STAINLESS DOLLY	1
2	055249	CASTER SET: 3" HR W/ ZINC RIG	1



STAINLESS STEEL DRUM DOLLIES

- Superior design places drum chime over caster kingpin for greater load stability and long cater life.
- All welded 304 stainless steel frame construction with reinforced outriggers.
- Four bolt on 3" swivel casters.
- I.D. varies among models.
- Model available for 30, 55, and 85 gallon drums.

P/N 240192

Model: SS3-HRZ
 Capacity: 900 lbs
 Weight: 19 lbs
 Unit I.D.: 19"
 Drum Size: 30 gal.
 Caster Type: Hard Rubber
 Rig Type: Zinc Plate
 Box: Yes

THIS DRAWING IN ALL PARTICULARS IS WESCO INDUSTRIAL PRODUCTS INC. PROPERTY. ALL RIGHTS OF DESIGN, INVENTION OR USE OF ARE RESERVED.

PRINT ISSUED
 NOV. 15, 2006
 WESCO MANUFACTURING
 ENGINEERING DEPARTMENT

R	W	S	APP
11-08-12	UPDATED PARTS LIST		
	ECN & DATE		
A	REV.		

WESCO INDUSTRIAL PRODUCTS INC.			
NORTH WALES		PENNA. 19454	
PART NAME		DRAWN:	
SS3-HRZ		CHECKED:	
DRUM DOLLIES		APP. ENGR.	
TOLERANCE UNLESS OTHERWISE SPECIFIED			
FRACTION	3 PLACE DECIMAL	2 PLACE DECIMAL	
± 1/64	± .005	± .01	
ANGULAR ± 1-1/2"	SHEET 1	OF 1	
BREAK ALL SHARP EDGES AND REMOVE ALL BURRS			
SCALE: 1" = 8"		A-240192 REV A	